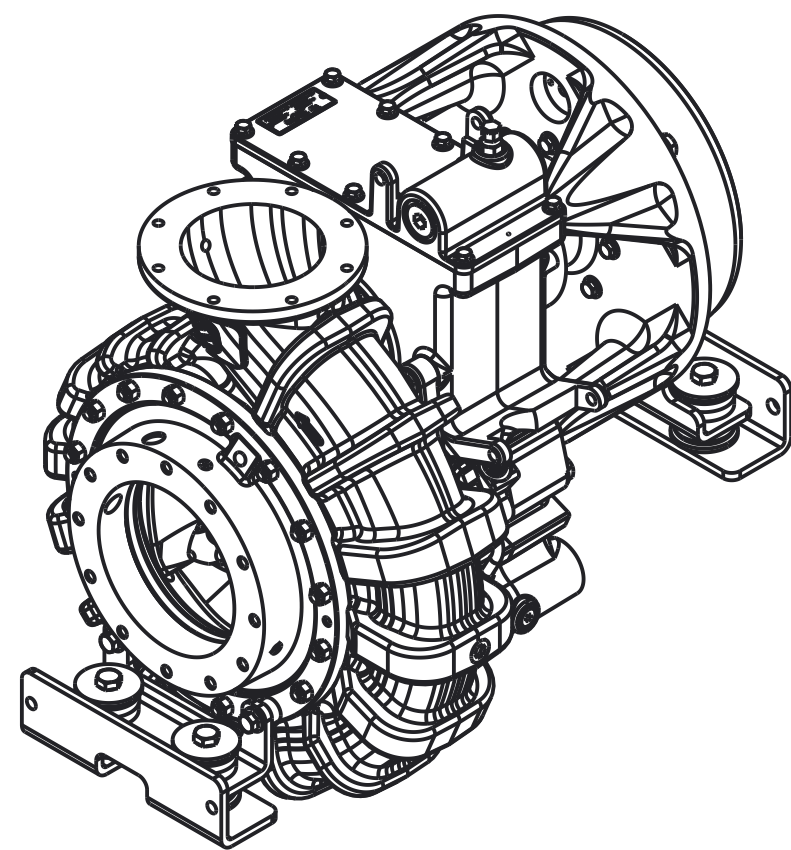
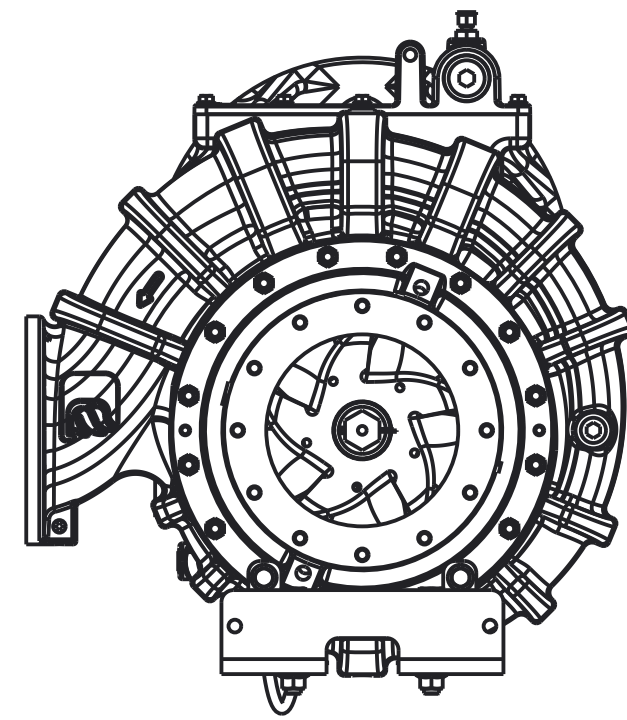


REVISIONS				
LTR	DESCRIPTION	DATE	CHG NO.	APPRD

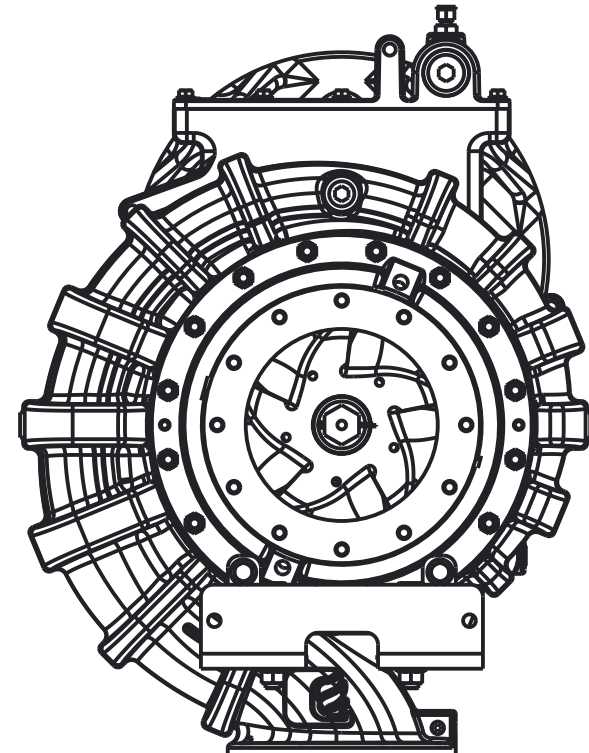


STANDARD 12 O'CLOCK DISCHARGE
SCALE 1/8

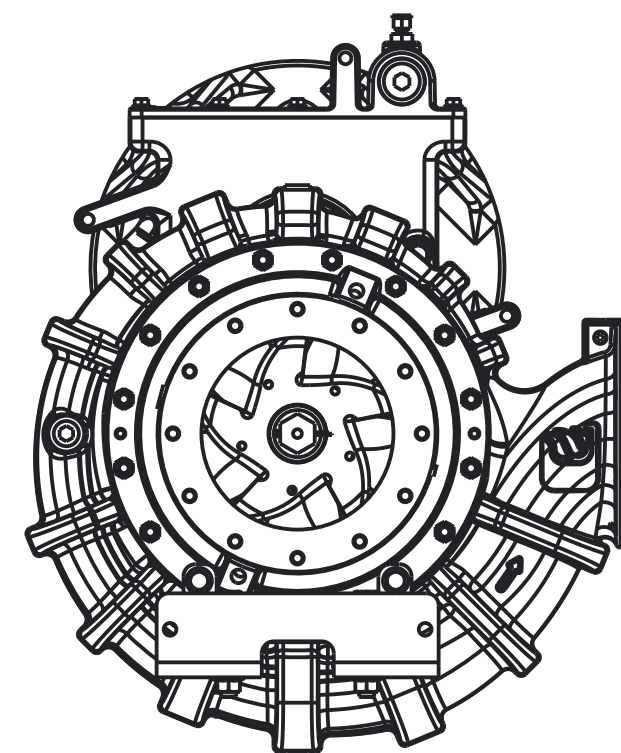
OPTIONAL PUMP CASING DISCHARGE ORIENTATIONS
DISCHARGE FLANGE IS CENTERED TO THE SUCTION OPENING



9 O'CLOCK DISCHARGE

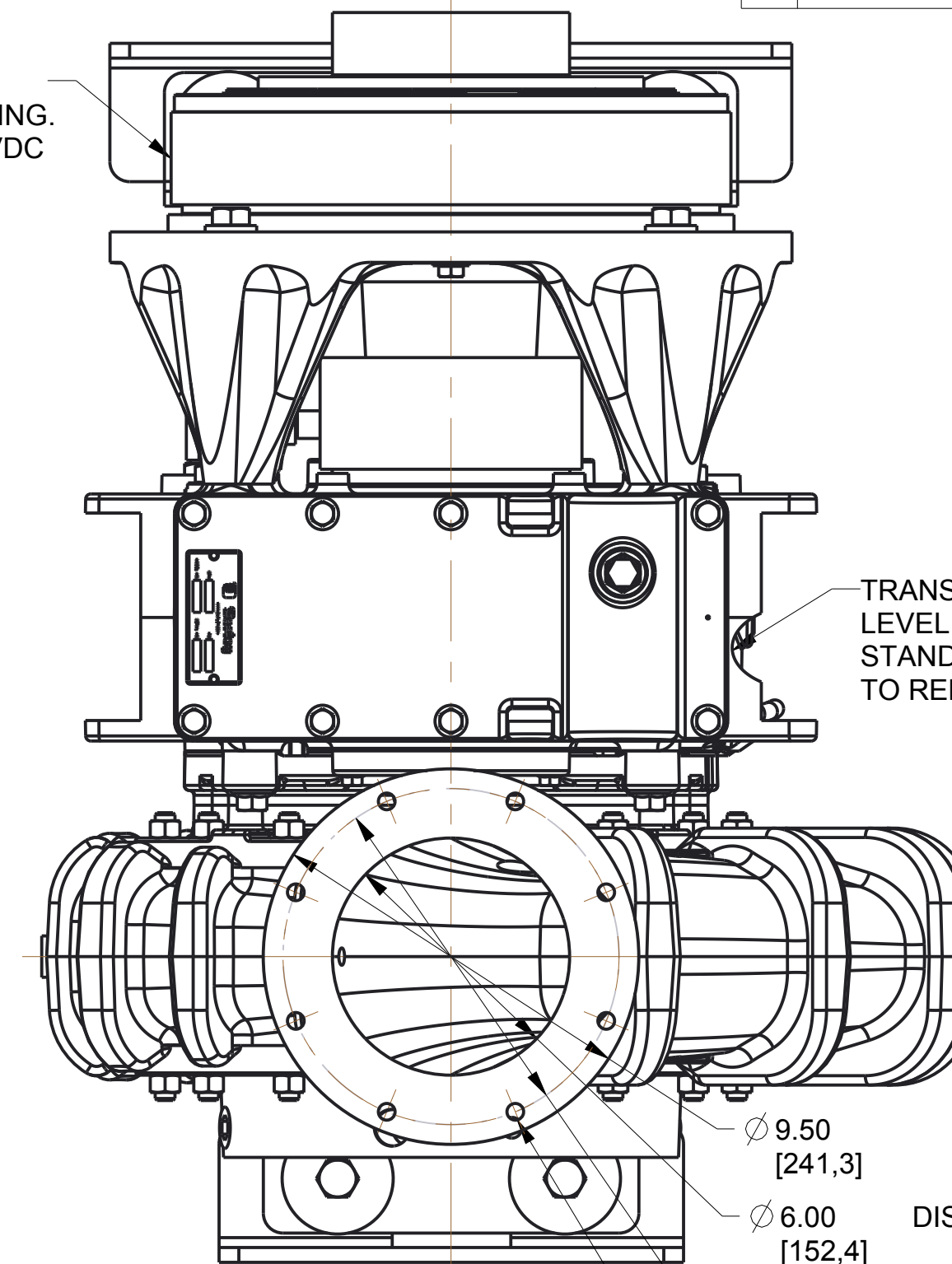


6 O'CLOCK DISCHARGE



3 O'CLOCK DISCHARGE

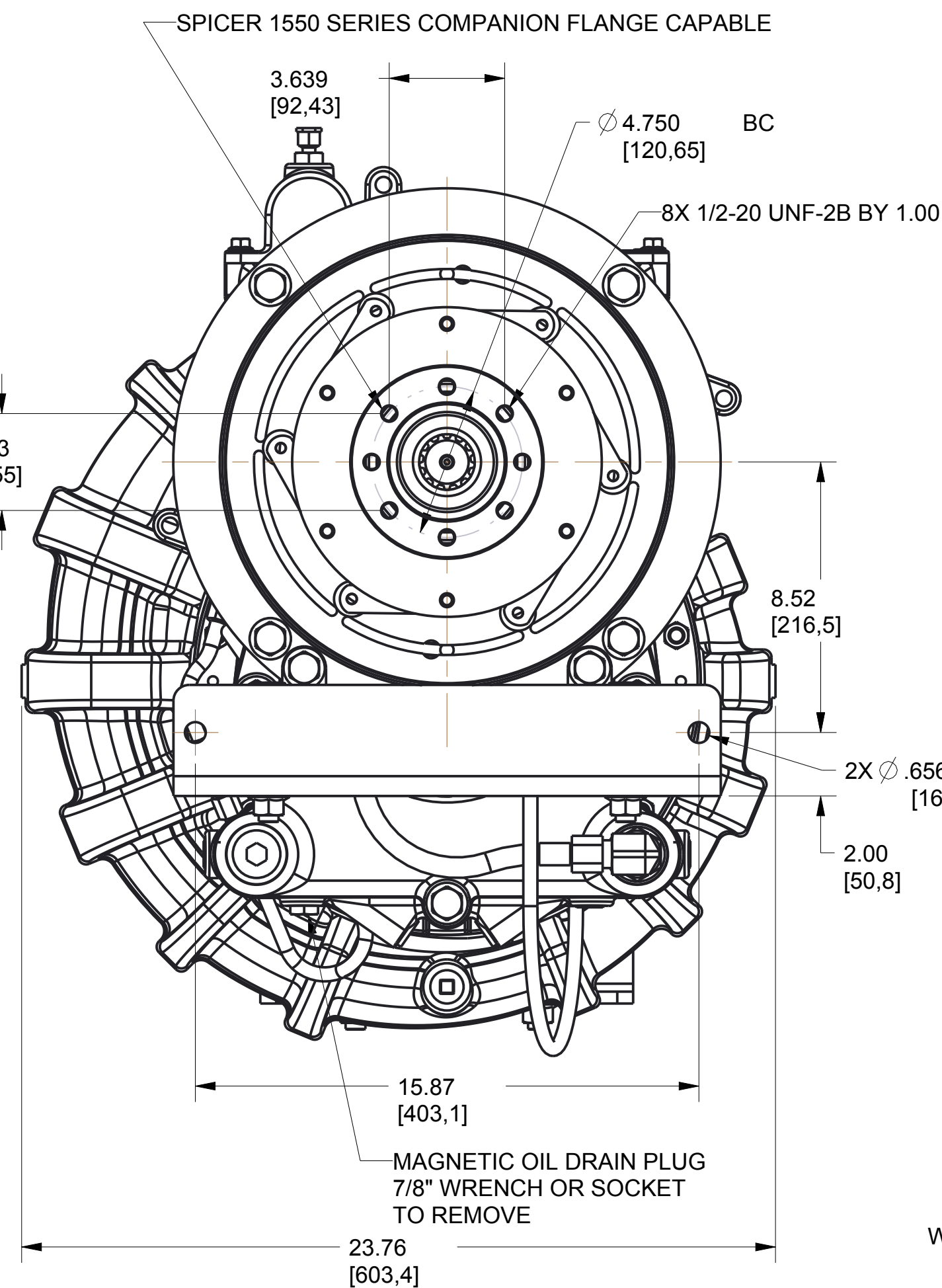
2000 LB-FT CLUTCH THAT IS ELECTRICALLY
ENGAGED TO ALLOW PUMPING.
12VDC OR 24VDC



TRANSMISSION OIL
LEVEL DIPSTICK
STANDARD SCREWDRIVER
TO REMOVE

Ø 9.50 [241.3]
Ø 6.00 [152.4]
Ø 8.500 BC [215.9]
8X 1/2-13 UNC-2B ∇ .78

DISCHARGE OPENING



SPICER 1550 SERIES COMPANION FLANGE CAPABLE

3.639 [92.43]
Ø 4.750 BC [120.65]
8X 1/2-20 UNF-2B BY 1.00

3.053 [77.55]

8.52 [216.5]

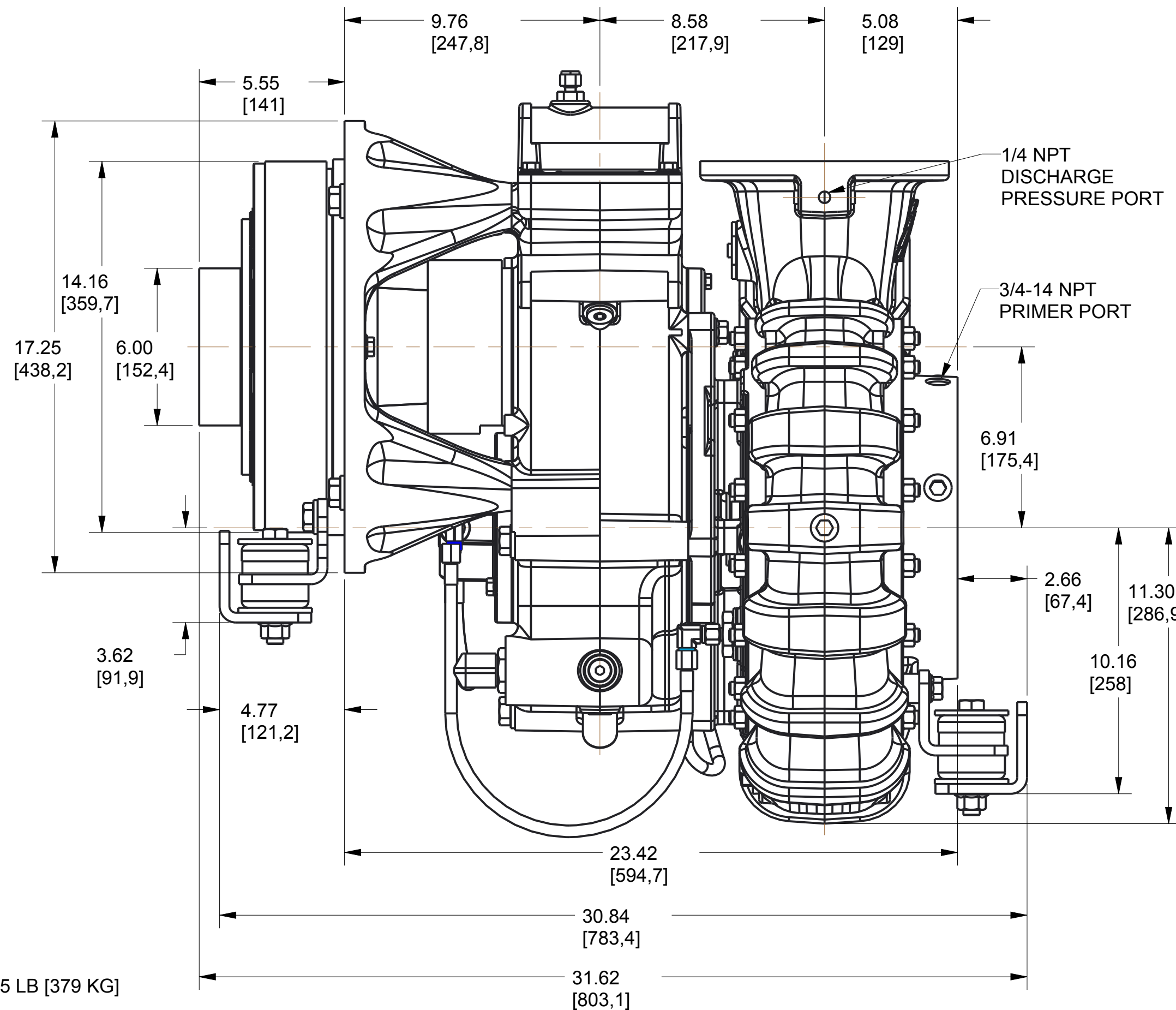
2X Ø .656 [16.66]

2.00 [50.8]

15.87 [403.1]
MAGNETIC OIL DRAIN PLUG
7/8" WRENCH OR SOCKET
TO REMOVE

23.76 [603.4]

WEIGHT 835 LB [379 KG]



9.76 [247.8] 8.58 [217.9] 5.08 [129]

5.55 [141]

14.16 [359.7]

17.25 [438.2]

6.00 [152.4]

3.62 [91.9]

4.77 [121.2]

23.42 [594.7]

30.84 [783.4]

31.62 [803.1]

1/4 NPT
DISCHARGE
PRESSURE PORT

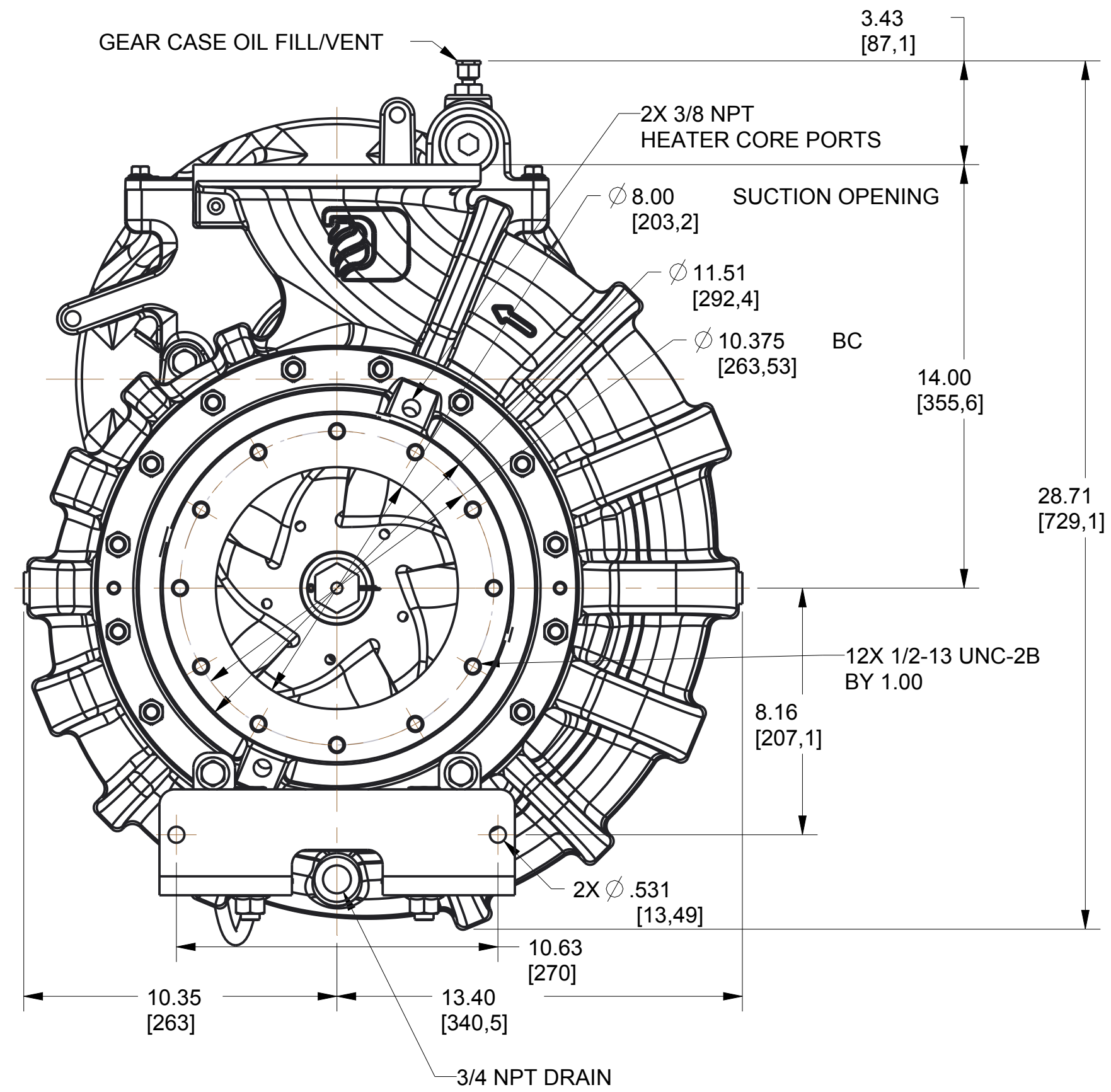
3/4-14 NPT
PRIMER PORT

6.91 [175.4]

2.66 [67.4]

11.30 [286.9]

10.16 [258]



GEAR CASE OIL FILL/VENT

3.43 [87.1]

2X 3/8 NPT
HEATER CORE PORTS

Ø 8.00 [203.2] SUCTION OPENING

Ø 11.51 [292.4]

Ø 10.375 BC [263.53]

14.00 [355.6]

28.71 [729.1]

12X 1/2-13 UNC-2B
BY 1.00

8.16 [207.1]

10.63 [270]

13.40 [340.5]

3/4 NPT DRAIN

REMOVE SHARP EDGES		INCH [MILLIMETER]	OLD PART NO.	TOLERANCE EXCEPT AS NOTED	W.S. Darley & Co. ITASCA, IL - CHIPPEWA FALLS, WI
MATERIAL DESCRIPTION:			MATERIAL NO.	PATTERN NO.	
THIS DESIGN IS THE PROPERTY OF W.S. DARLEY AND CO. - UNAUTHORIZED REPRODUCTION IS PROHIBITED		ALL DIMENSIONS IN INCHES UNLESS NOTED	DO NOT SCALE PRINT	DRN WAH CHKD TRCD	DWG - DIMENSIONAL, ZSF, INPUT ABOVE W/O PRIMER DATE 06JUN2014 SCALE 1/4

DZD0033