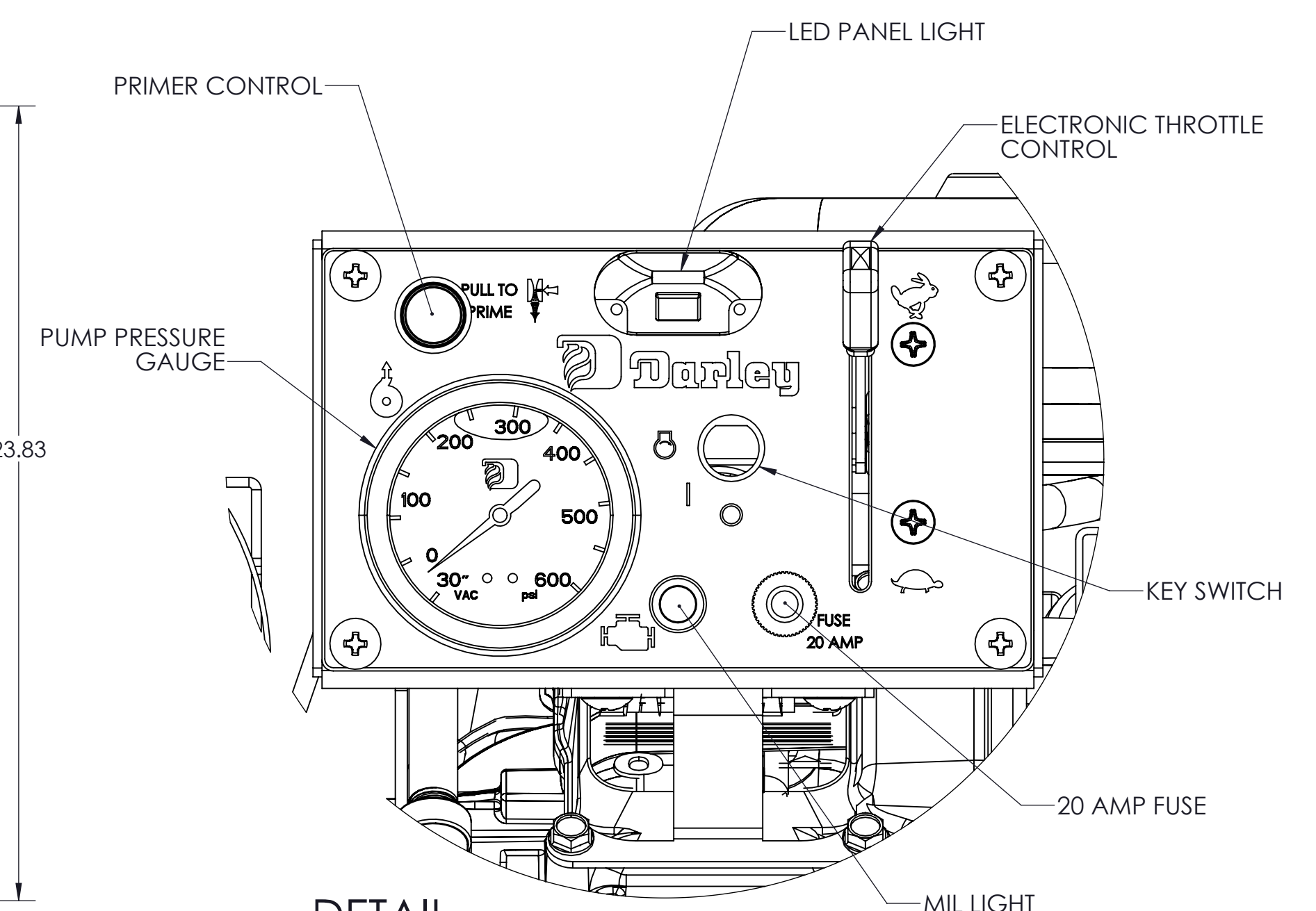
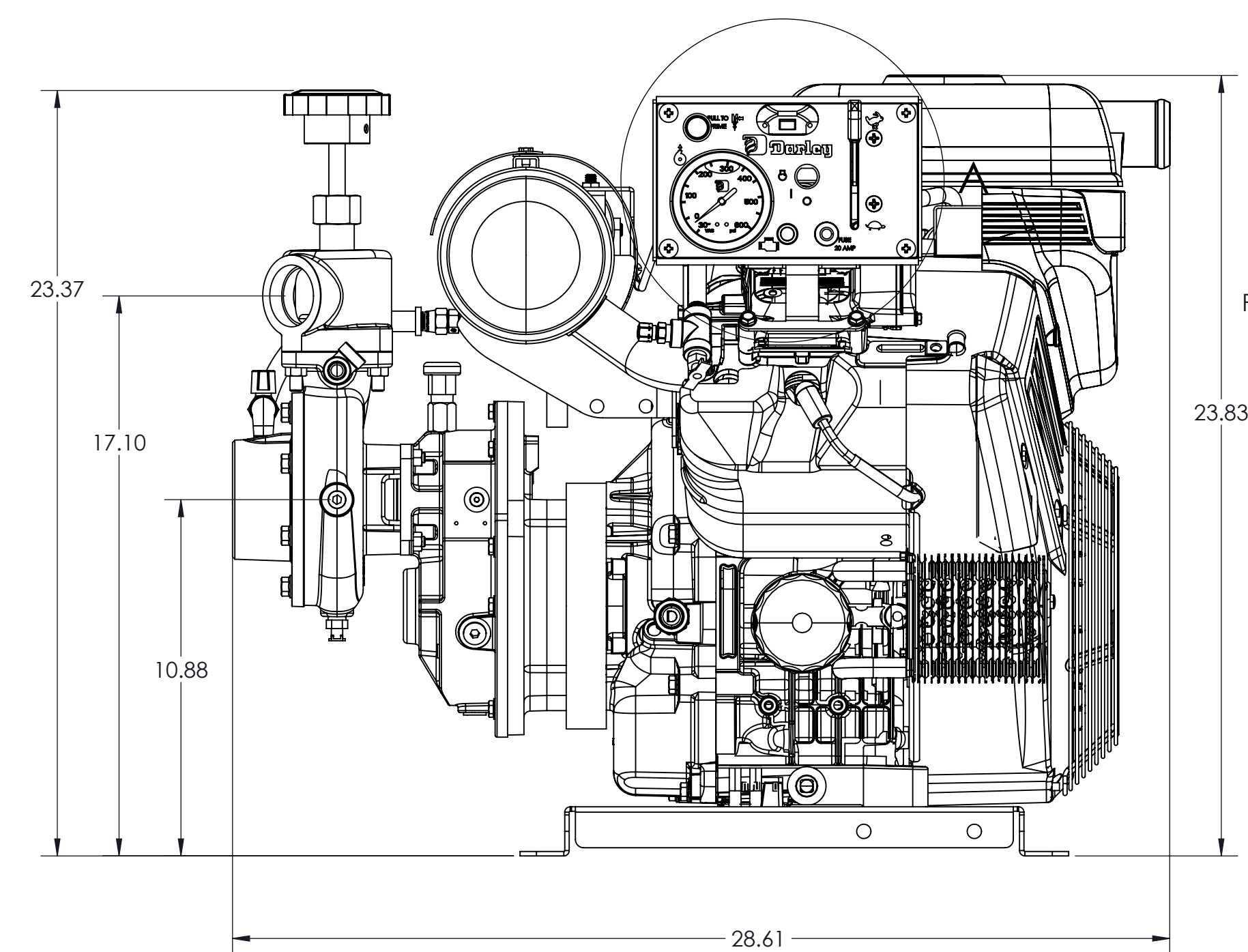
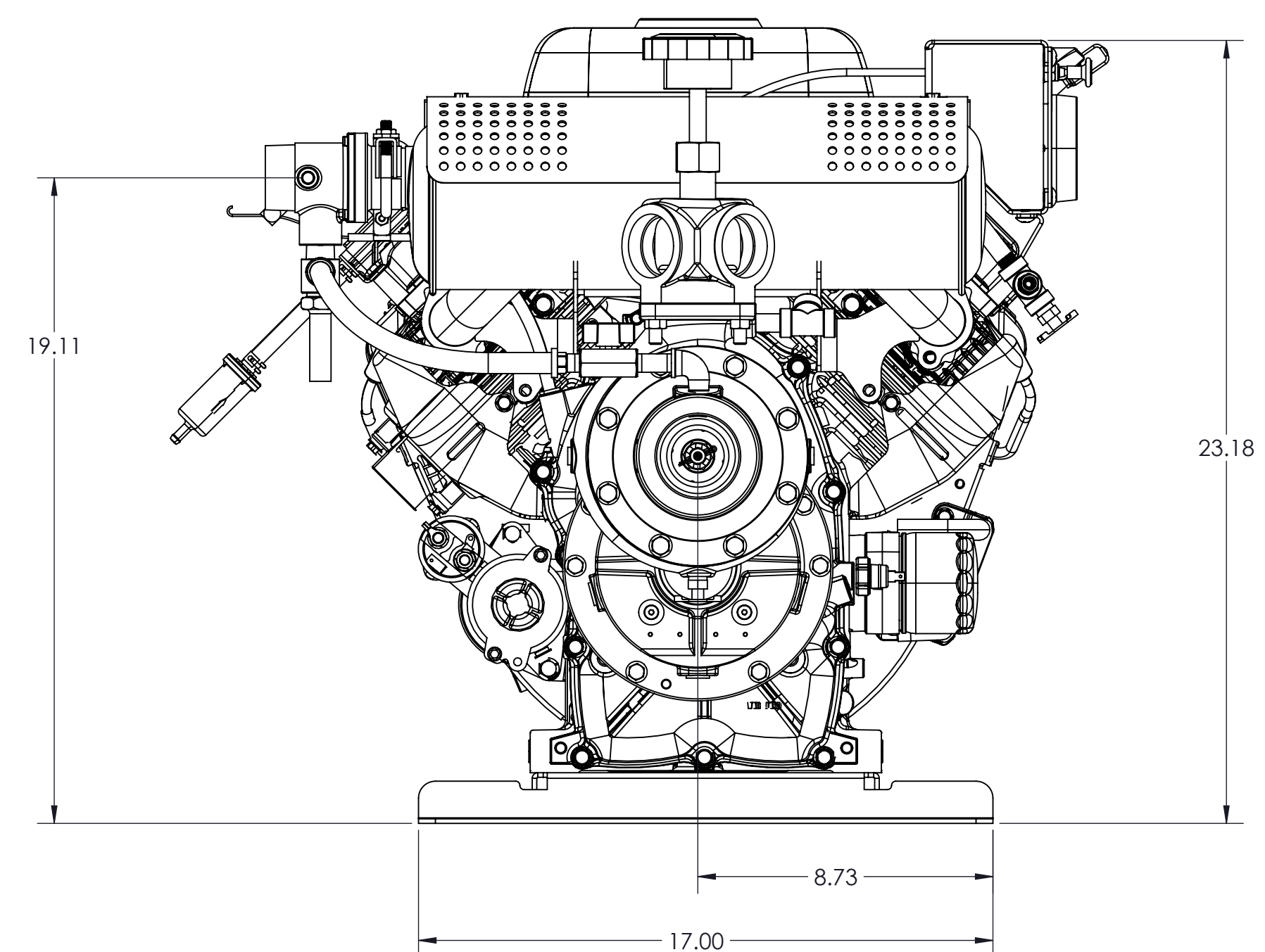
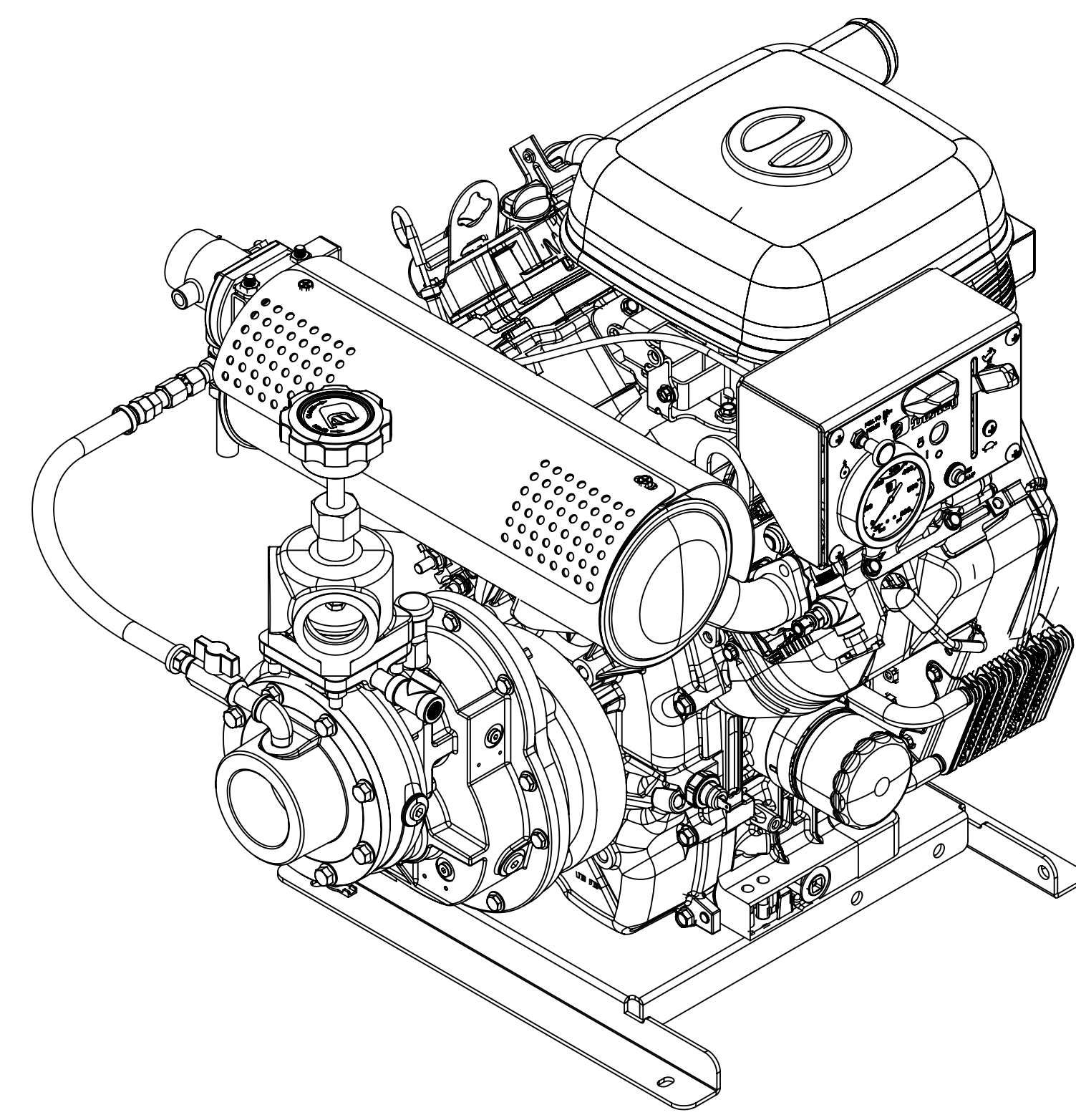
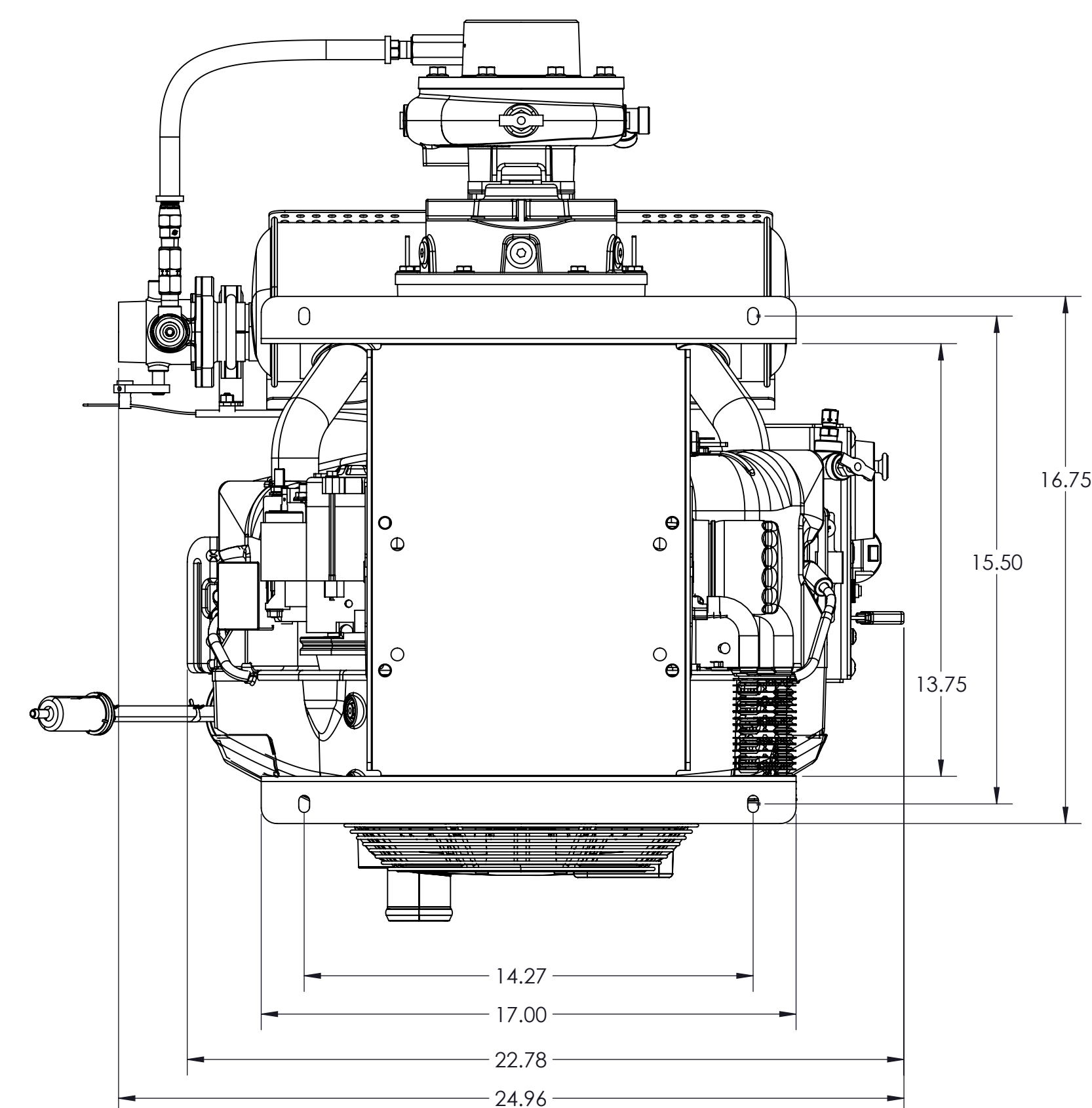


REVISIONS					
ZONE	REV.	DESCRIPTION	DATE	CHG NO.	APPROVED



DETAIL A  
SCALE 1:1.5



**ASSEMBLIES SHOWN:**

- BASE - 1681804
- SUCTION HEAD - 2800331
- ENGINE - 4200540
- CONTROL PANEL - AC00185
- PRIMER - AP01507
- DISCHARGE HEAD - HA00308
- EXHAUST - 4200533
- GEAR RATIO - KR02719
- PUMP - PA00270
- TRANSMISSION - TE00464
- 3 GAL FUEL TANK (SHIPPED LOOSE) - KE00129

**CONTROL PANEL:**

- WATER PRESSURE
- ELECTRONIC THROTTLE CONTROL
- MIL LIGHT
- 20 AMP CIRCUIT BREAKER
- LED LIGHT
- EXHAUST PRIMER CONTROL

REMOVE SHARP EDGES		INCH [MILLIMETER]	THIRD ANGLE PROJECTION	MODEL DAD3013	SHEET 1/1
MATERIAL DESCRIPTION	MASS	MATERIAL NO.	PATTERN NO.	OLD PART NO.	TOLERANCE EXCEPT AS NOTED .00 ±.03 .000 ±.010 ANGLES ±1
THIS DESIGN IS THE PROPERTY OF WS. DARLEY CO. - UNAUTHORIZED REPRODUCTION IS PROHIBITED	64.51 LBS				DRWN AWK CKHD JSO TRCD
ALL DIMENSIONS IN INCHES UNLESS NOTED			DO NOT SCALE PRINT		DATE: 01/07/2025 SCALE: 1:4
				DWG - 1.SAGE 40V ERI + ETC	DAD3013

