

### CHASSIS

MODEL	FORD	GVW	19,500
F-550		FRONT AXLE	7,500
4 X 4 (4)-DOOR		REAR AXLE	14,706
		C/A	84.00
		WB	203.70
		ENG. TYPE	6.7L POWERSTROKE DIESEL

PUMP TYPE	PSMC 1500 GPM SINGLE STAGE
TANK SIZE/TYPE	300 GAL WATER 25 GAL FOAM / POLY

### COMPARTMENTS

MARK	SIZE	DOOR SIZE
1	15.25W X 55.00H X 20.50D	15.25W X 55.00H
2	40.50W X 38.00H X 20.50D	40.50W X 38.00H
3	33.75W X 55.00H X 20.50D	33.75W X 55.00H

### GENERAL NOTES

These drawings are the sole property of W.S. DARLEY & Co. These Drawings are for showing the concept of the apparatus being specified and therefore may not agree with the final contract.

Not all items being specified are shown on these drawings. Refer to specifications for further details.

These drawings are on loan and must be returned upon request of W.S. DARLEY & Co. or it's authorized representative.

This design is the property of W.S. DARLEY & Co. - unauthorized reproduction is prohibited.

Chassis is Manufacturer's standard production model. Specifications are subject to change without notice.

Dimensions shown are approximate, and subject to minor deviations as may occur or be necessary in construction. Minor details not shown. Where there may be nonconformity between the illustration and the sales order, the sales order and all approved sales order changes will prevail.

DO NOT SCALE PRINTS  
All dimensions shown are in decimal inches unless noted otherwise.

### ABBREVIATIONS

COMMONLY USED ABBREVIATIONS IN DRAWINGS:	
A/F - AFT FRAME	COMP. - COMPARTMENT
W.B. - WHEEL BASE	
C/A - CAB TO AXLE	
OAL - OVERALL LENGTH	
OH - OVERALL HEIGHT	
GVW - GROSS VEHICLE WEIGHT	
TYP. - TYPICAL	
C.S. - CUSTOMER SUPPLIED	
N.I.C. - NOT IN CONTRACT	

PROJECT

FORD F550 TACTICAL PUMPER

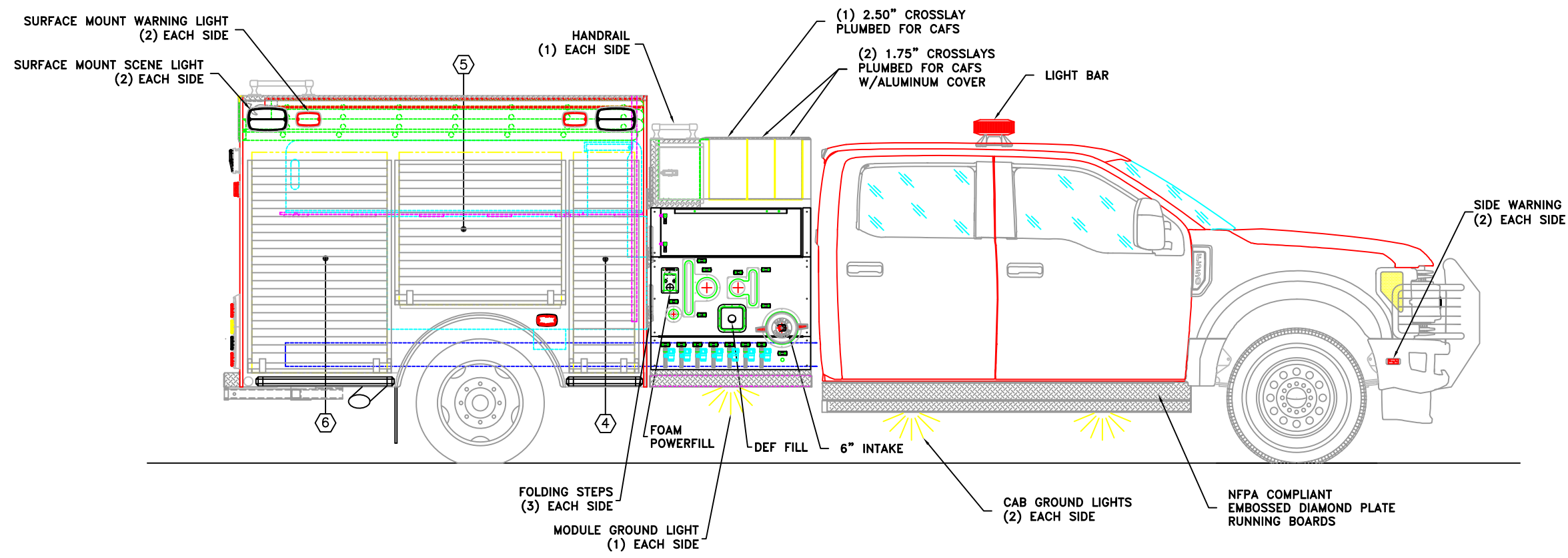
for

W.S. DARLEY  
CHIPPEWA FALLS, WI



DATE SEPTEMBER 13, 2024 REVISIONS

CUSTOMER APPROVAL SIGNATURE	DATE	SCALE 3/4" = 1'-0"	
DARLEY APPROVAL SIGNATURE	DATE	QW BASE SPEC N/A	
DRN KGH		JOB NO.	SHEET NO.
CHKD		MASTER	1
DWG FILE NAME 13001005			



### CHASSIS

MODEL	GVW 19,500	
FORD	FRNT AXLE 7,500	REAR AXLE 14,706
F-550	C/A 84.00	WB 203.70
4 X 4 (4)-DOOR	ENG. TYPE 6.7L POWERSTROKE DIESEL	

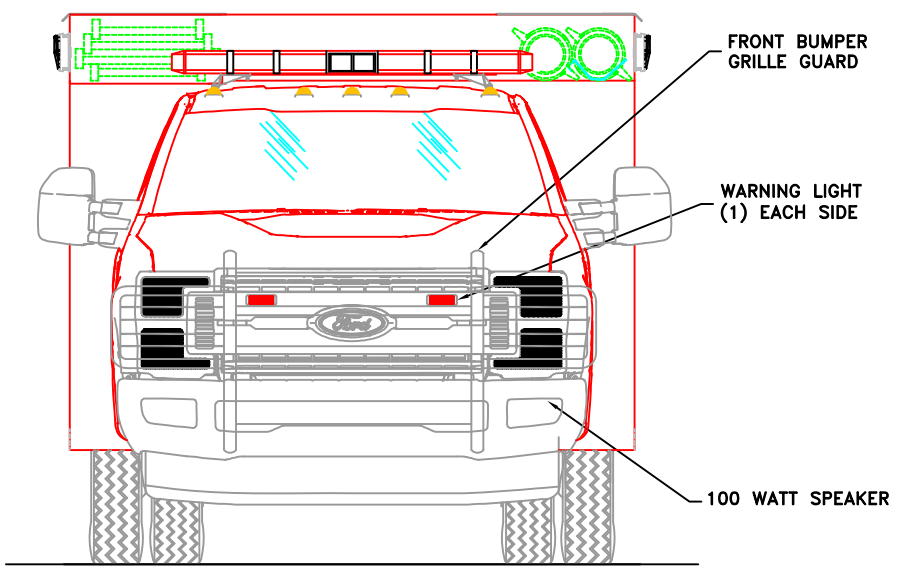
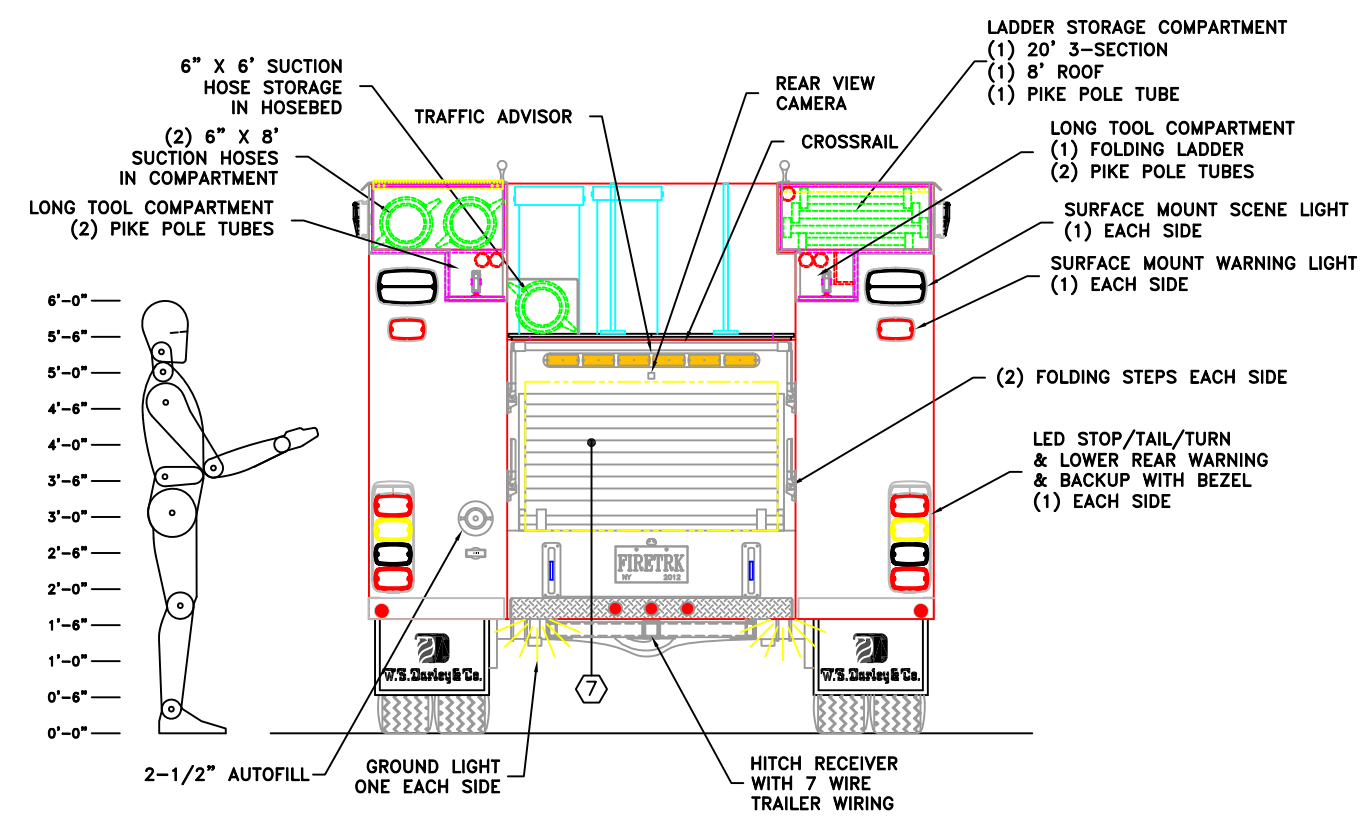
PUMP TYPE PSMC 1500 GPM SINGLE STAGE  
 TANK SIZE/TYP 300 GAL WATER 25 GAL FOAM / POLY

### COMPARTMENTS

MARK	SIZE	DOOR SIZE
4	15.25W X 55.00H X 20.50D	15.25W X 55.00H
5	40.50W X 38.00H X 20.50D	40.50W X 38.00H
6	33.75W X 55.00H X 20.50D	33.75W X 55.00H
7	42.00W X 24.75H X 26.75D	42.00W X 24.75H

### DRAWING NOTES

DIMENSIONS SHOWN ARE APPROXIMATE AND ARE SUBJECT TO MINOR DEVIATIONS DURING CONSTRUCTION  
 NOT ALL ITEMS SPECIFIED ARE ON THIS PRINT  
 BODY CONSTRUCTION - COPOLYMER  
 REAR DOORS - ROLL UP  
 SIDE DOORS - ROLL UP  
 DOOR HANDLES - LIFT BAR  
 DOOR STAYS VERTICAL - N/A  
 DOOR STAYS HORIZONTAL - N/A  
 COMPARTMENT INTERIORS - WHITE  
 PUMP PANEL FINISH - N/A  
 OPERATORS PANEL - N/A  
 LIGHT BAR TYPE - N/A  
 LIGHT BAR LOCATION - N/A  
 REAR WARNING LIGHTS - N/A  
 SPOT LIGHTS REAR - N/A  
 SPOT LIGHT FRONT - N/A  
 SCENE LIGHTS TYPE -  
 SCENE LIGHT LOCATIONS -  
 UNDER BODY LIGHTS - N/A  
 REAR SIDE LIGHTS - N/A  
 INTERSECTION LIGHTS - N/A  
 AIR HORNS - N/A  
 SIREN/SPEAKER TYPE - N/A  
 SIREN/SPEAKER LOCATION - N/A  
 GENERATOR TYPE - N/A  
 GENERATOR LOCATION -



PROJECT  
 FORD F550 TACTICAL PUMPER  
 for  
 W.S. DARLEY  
 CHIPPEWA FALLS, WI



CUSTOMER APPROVAL SIGNATURE	DATE	DATE	REVISIONS
		SEPTEMBER 13, 2024	
THIS DESIGN IS THE PROPERTY OF W.S. DARLEY AND CO. - UNAUTHORIZED REPRODUCTION IS PROHIBITED		SCALE 3/4" = 1'-0"	QW BASE SPEC N/A
ALL DIMENSIONS IN INCHES UNLESS NOTED		DRN KGH	JOB NO. MASTER
DO NOT SCALE PRINT		CHKD	SHEET NO. 2
DWG FILE NAME 13001005			