

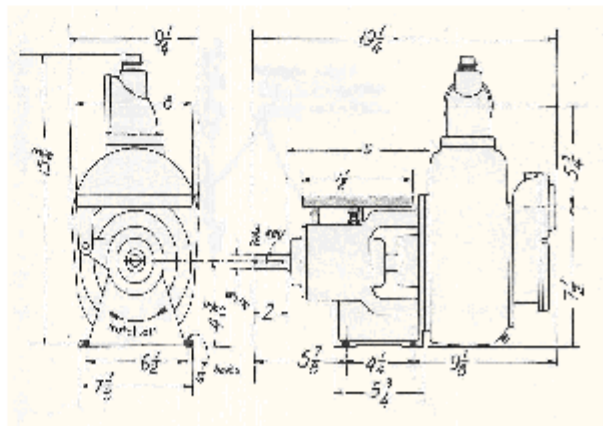
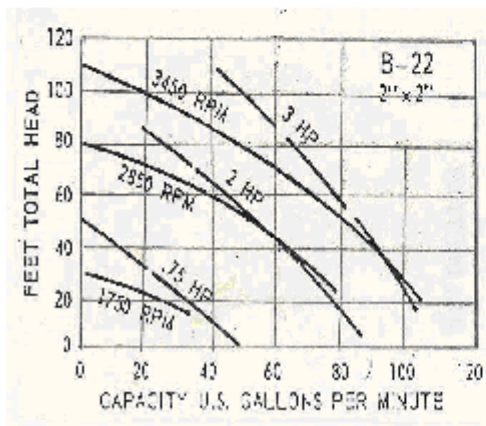
SPECIFICATIONS

MODEL 22 TWIN PRIME

Pump Model	22
Pump Size	2"
Case Type	Twin Prime
Impeller Diameter	5.5"
Maximum GPM	125
Usable Head (in feet)	110
Curve Number	B-22



- Trash Type Impeller
- Suction Lifts to 25 Feet
- Double Lubricated Self-Adjusting Shaft Seal
- Self-Cleaning Pump Case Design
- Optional Material Constructions To Suit Your Application
- Close Coupled or Power Frame Mounted
- Rugged and Dependable
- Ohler Pumps - The Leader in Dependability!



WHEN YOU THINK PUMPS - THINK OHLER!