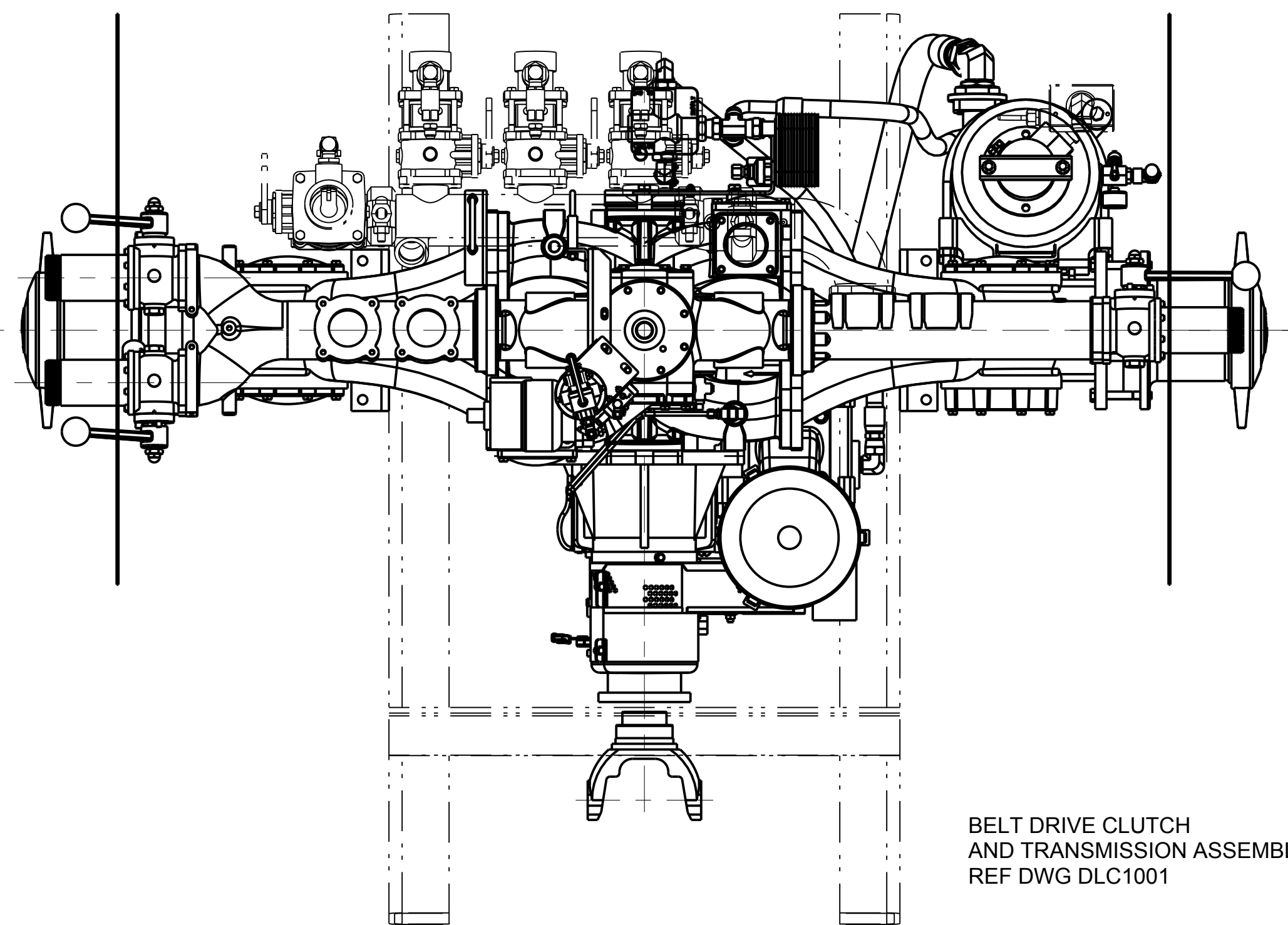
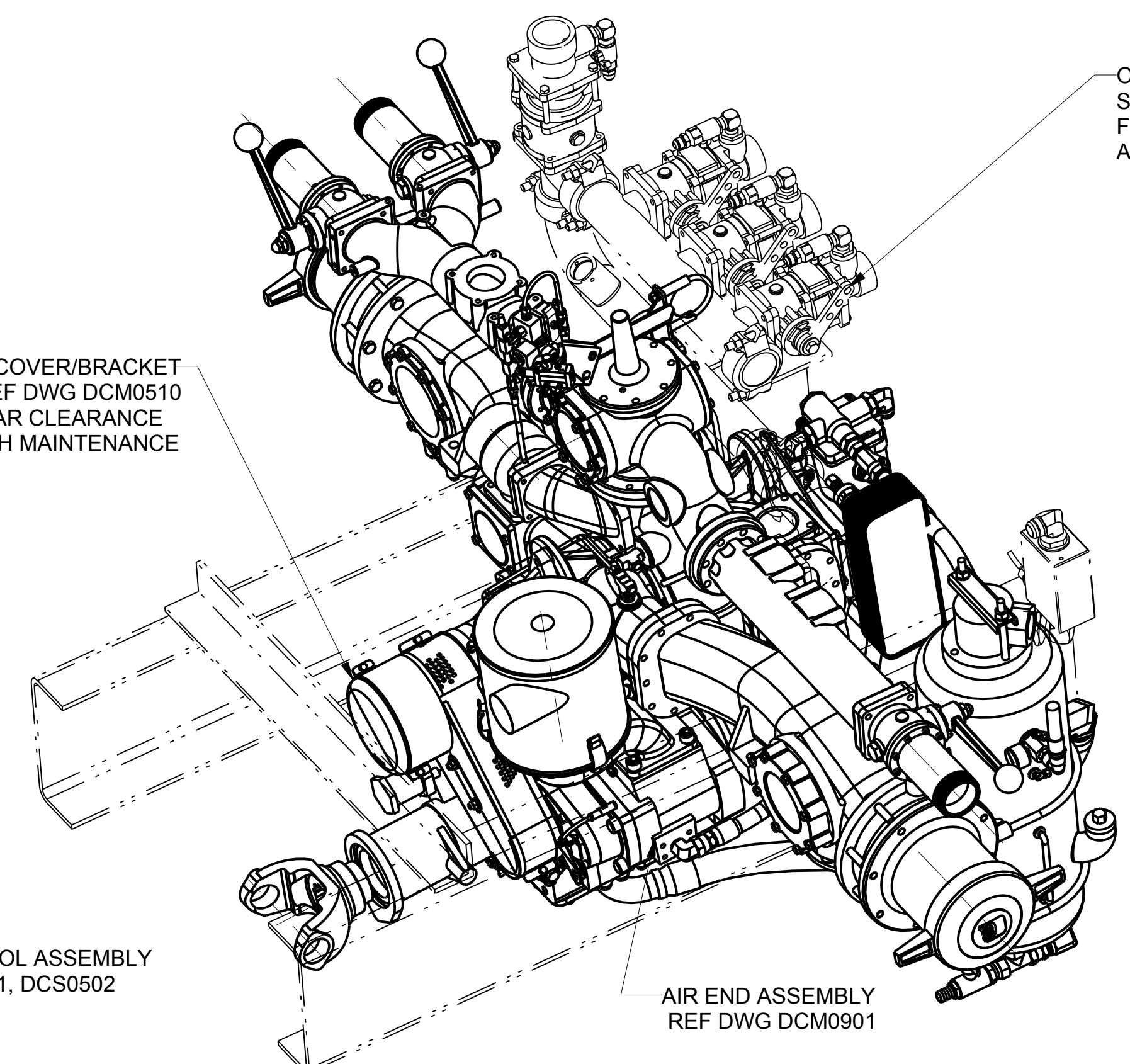


REVISIONS				
LTR	DESCRIPTION	DATE	CHG NO.	APPRD
A	REPLACED SUCTION HEADS WITH 2810110 ADDED COVER ASSEMBLY	16JUN11	7433	EAS2
B	ADDED SPACERS - PART NO. 3301201	16JUN11	7433	EAS2
C	REPLACED AZ01703 WITH AZ01711 NOTE WAS REF DCM0501	22JAN13	10066	JAF



BELT DRIVE CLUTCH
AND TRANSMISSION ASSEMBLY
REF DWG DLC1001

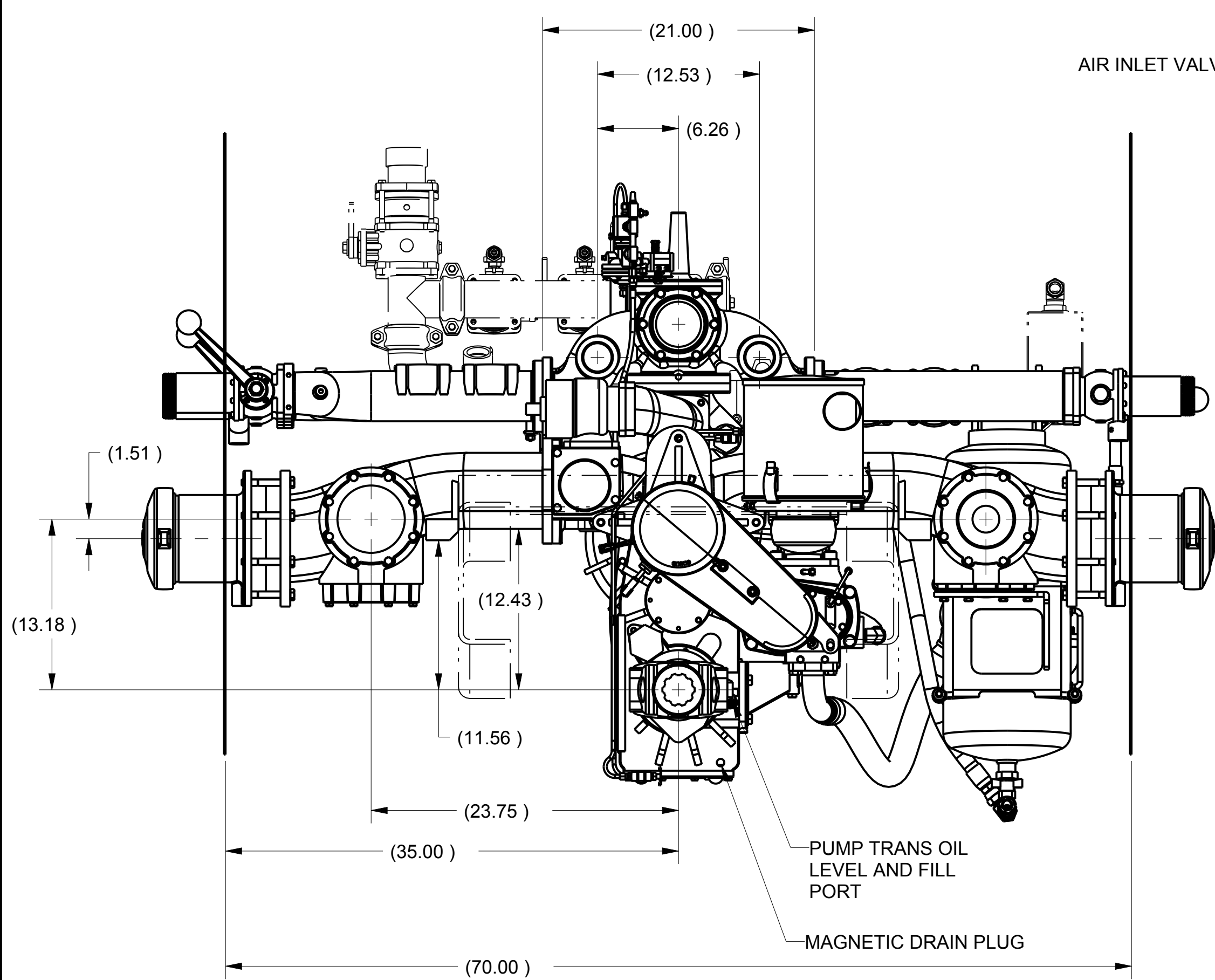


OPTIONAL FOAM MANIFOLD AND VALVES
SEE MANIFOLD SELECTION GUIDE
FOR DISCHARGE EXTENSION AVAILABILITY
AND MANIFOLD OPTIONS

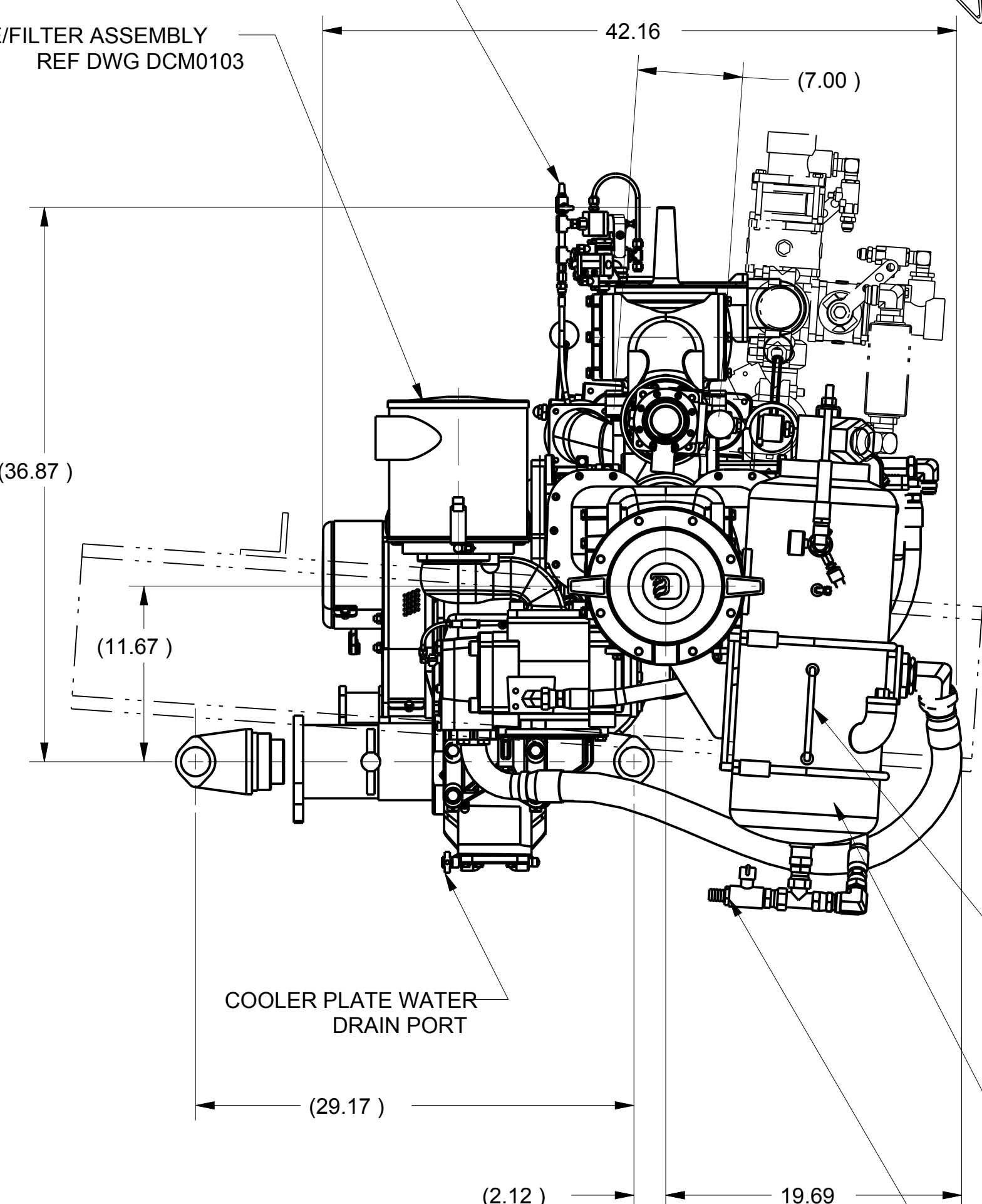
C BELT COVER/BACKET
REF DWG DCM0510
ALLOW 2.50 INCH REAR CLEARANCE
FOR BELT/CLUTCH MAINTENANCE

PRESSURE CONTROL ASSEMBLY
REF DWG DCM1001, DCS0502

AIR END ASSEMBLY
REF DWG DCM0901



REAR VIEW



AIR INLET VALVE/FILTER ASSEMBLY
REF DWG DCM0103

COOLER PLATE WATER
DRAIN PORT

OIL LEVEL
SIGHT GAGE

OIL SEPARATOR TANK
REF DWG DCM0801

COMPRESSOR OIL FILL
AND DRAIN PORT/VALVE

COMPRESSOR HEAT
EXCHANGER/FILTER ASSEMBLY
REF DWG DCM0106

COMPRESSOR MOUNTING BRACKET
REF DWG DCM0700

STANDARD LDM PUMP FORWARD
CONFIGURATION

TRANSMISSION COOLING PLATE ASSEMBLY
REF DWG DGC0218

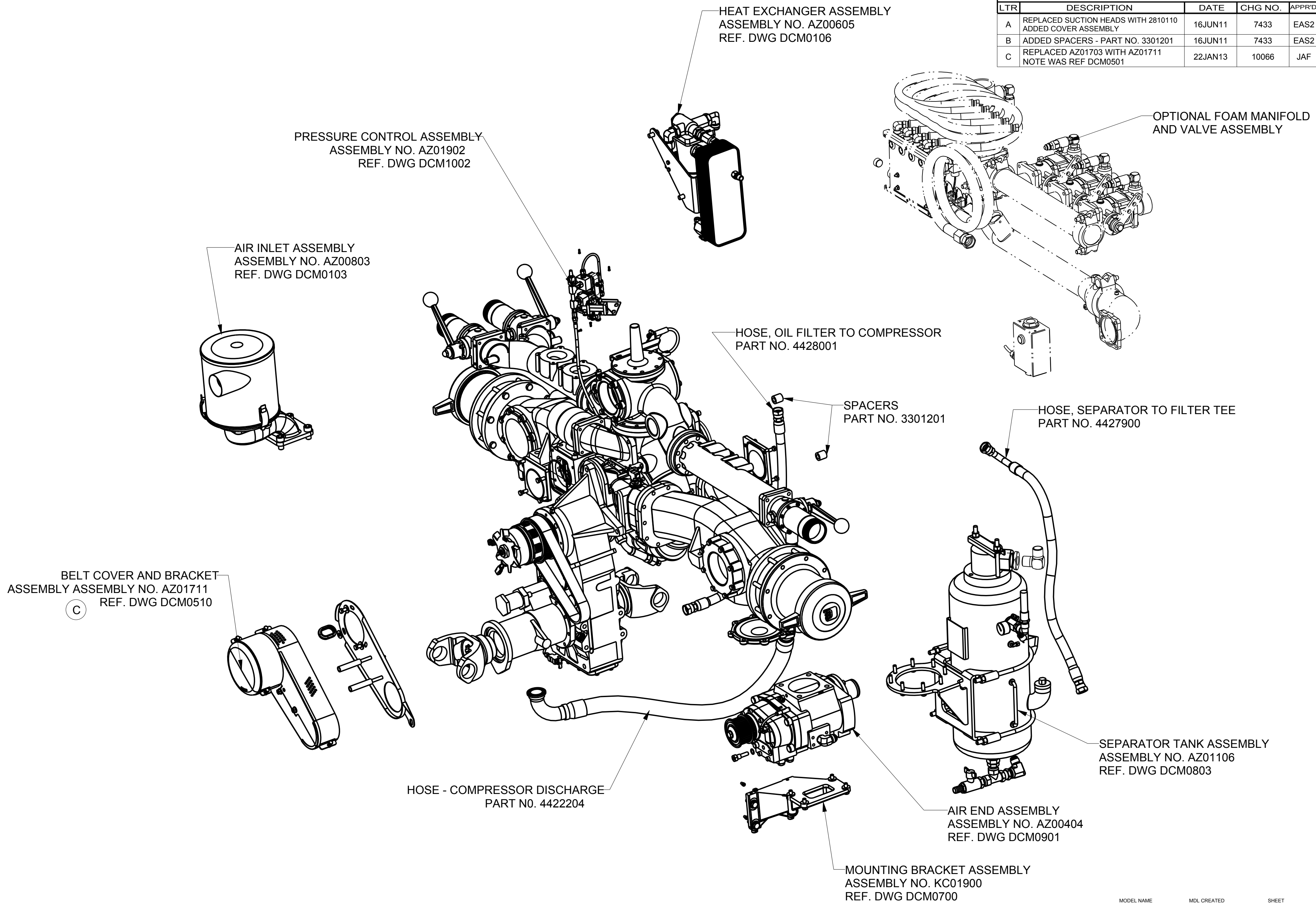
FRONT VIEW

REMOVE SHARP EDGES		INCH (MILLIMETER)		OLD PART NO.		TOLERANCE EXCEPT AS NOTED		W.S. Darley & Co. ITASCA, IL - CHIPPEWA FALLS, WI	
MATERIAL DESCRIPTION:		MATERIAL NO.		PATTERN NO.		DWG - LDMBC, ELECT CLUTCH DIMENSIONAL, MAN. FLOW		DATE 05-Dec-02	
THIS DESIGN IS THE PROPERTY OF W.S. DARLEY AND CO. - UNAUTHORIZED REPRODUCTION IS PROHIBITED		ALL DIMENSIONS IN INCHES UNLESS NOTED		DO NOT SCALE PRINT		DRN DWS CHKD TRCD		SCALE 1/8	

MODEL NAME: DLD0503
MIL CREATED: 05-JAN-2002
SHEET: 1/2

DLD0503

REVISIONS				
LTR	DESCRIPTION	DATE	CHG NO.	APPR'D
A	REPLACED SUCTION HEADS WITH 2810110 ADDED COVER ASSEMBLY	16JUN11	7433	EAS2
B	ADDED SPACERS - PART NO. 3301201	16JUN11	7433	EAS2
C	REPLACED AZ01703 WITH AZ01711 NOTE WAS REF DCM0501	22JAN13	10066	JAF



MODEL NAME	MDL CREATED	SHEET
DLD0503	05-JAN-2002	2/2 C

REMOVE SHARP EDGES	INCH [MILLIMETER]	THIRD ANGLE PROJECTION	OLD PART NO.	TOLERANCE EXCEPT AS NOTED .00 ±.03 .000 ±.010 ANGLES ±1°	W.S. Darley & Co. ITASCA, IL - CHIPPEWA FALLS, WI DWG - LDMBC, ELECT CLUTCH DIMENSIONAL, MAN. FORWARD
MATERIAL DESCRIPTION:			MATERIAL NO.	PATTERN NO.	
THIS DESIGN IS THE PROPERTY OF W.S. DARLEY AND CO. - UNAUTHORIZED REPRODUCTION IS PROHIBITED	ALL DIMENSIONS IN INCHES UNLESS NOTED	DO NOT SCALE PRINT	DR'N DWS	DATE 11-Oct-00	DLD0503
			CHKD -	SCALE 1/8	