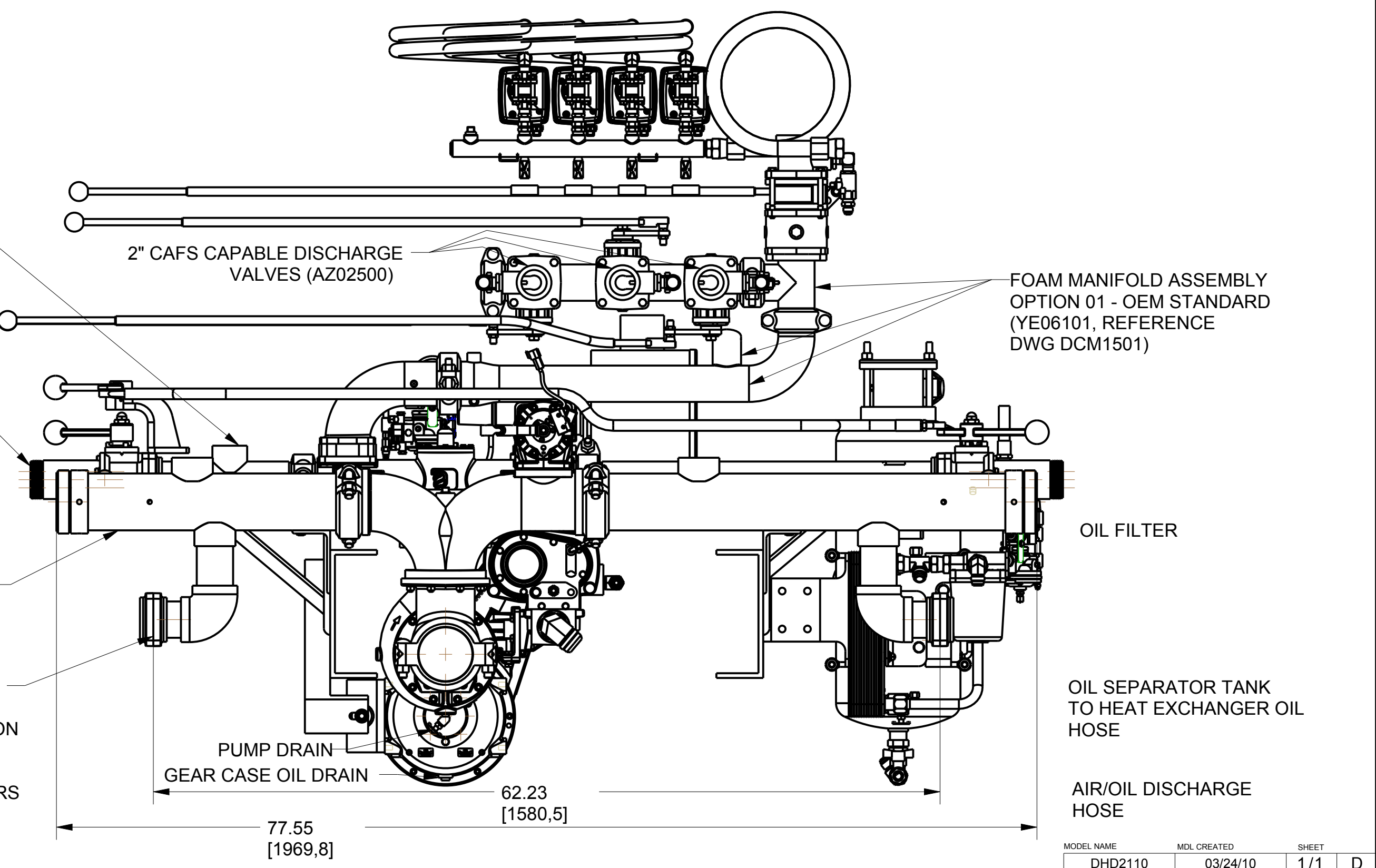
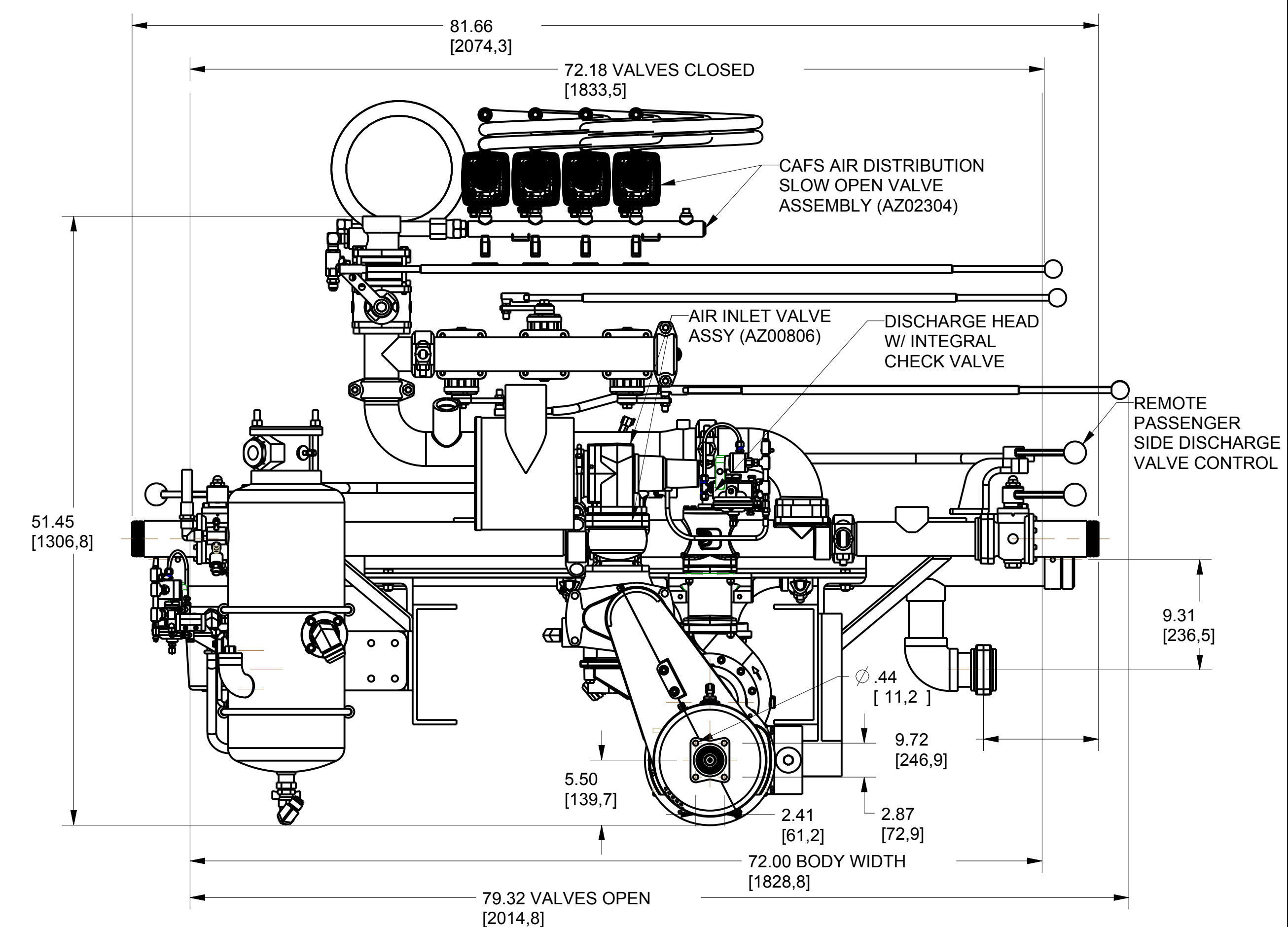
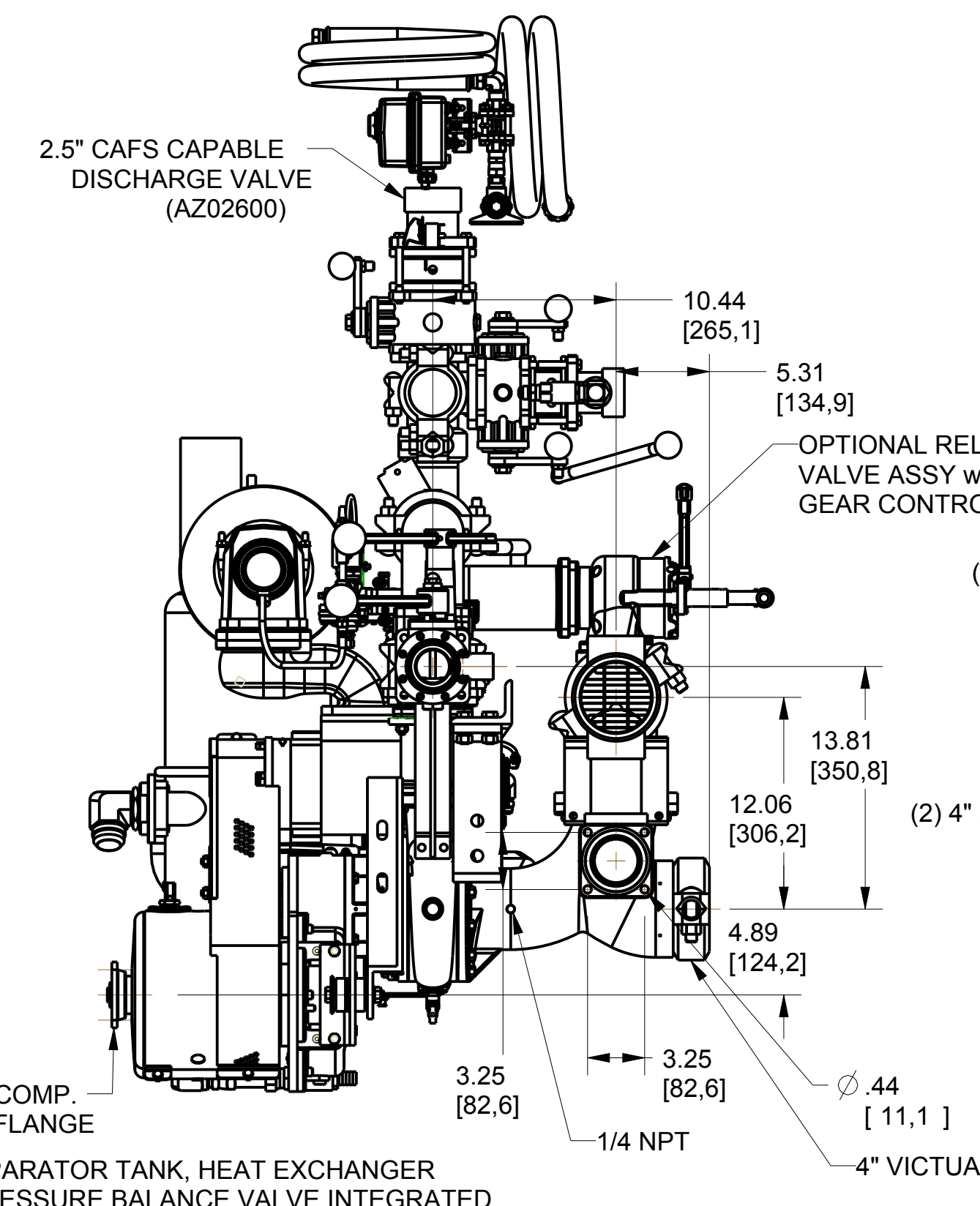
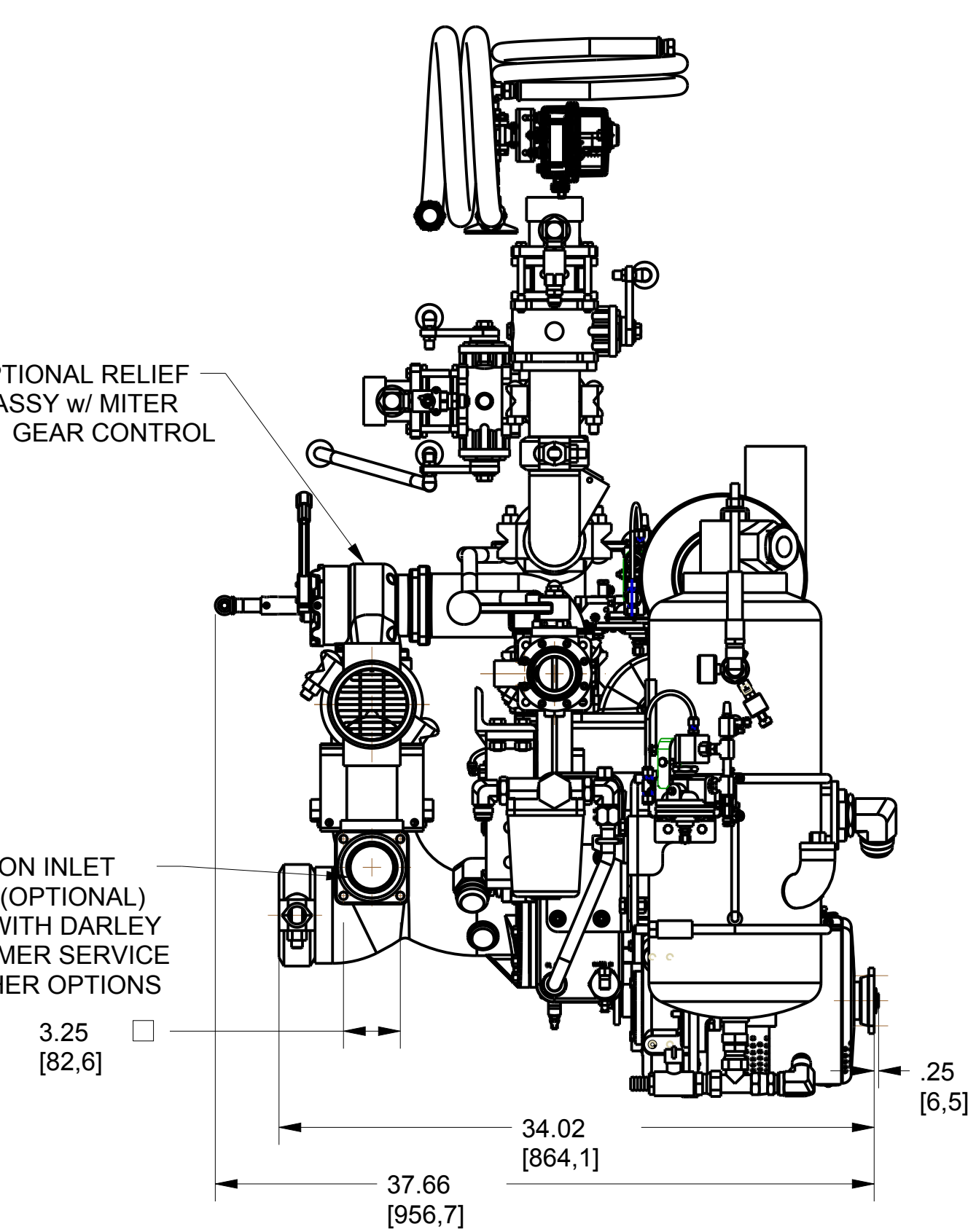
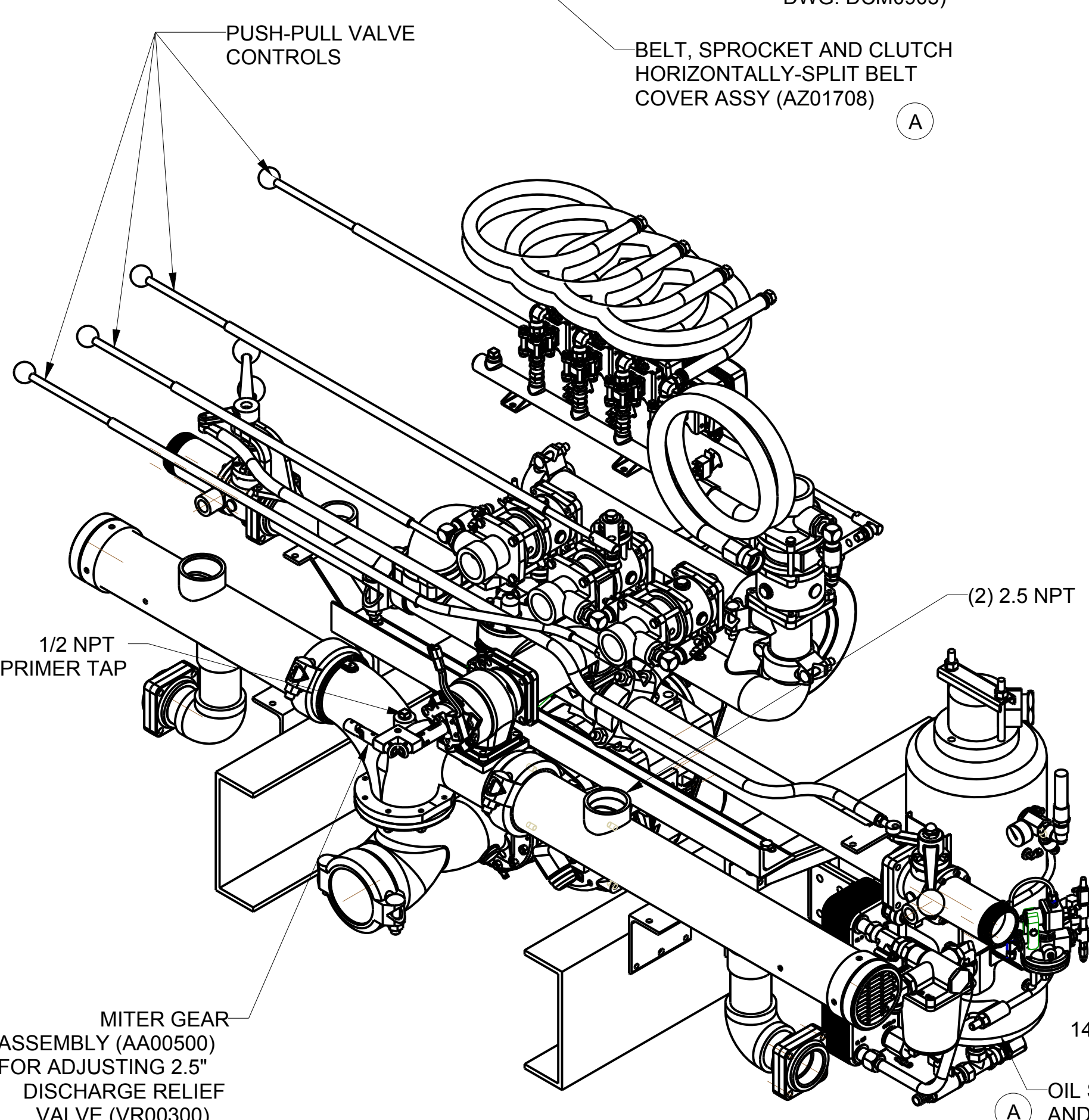
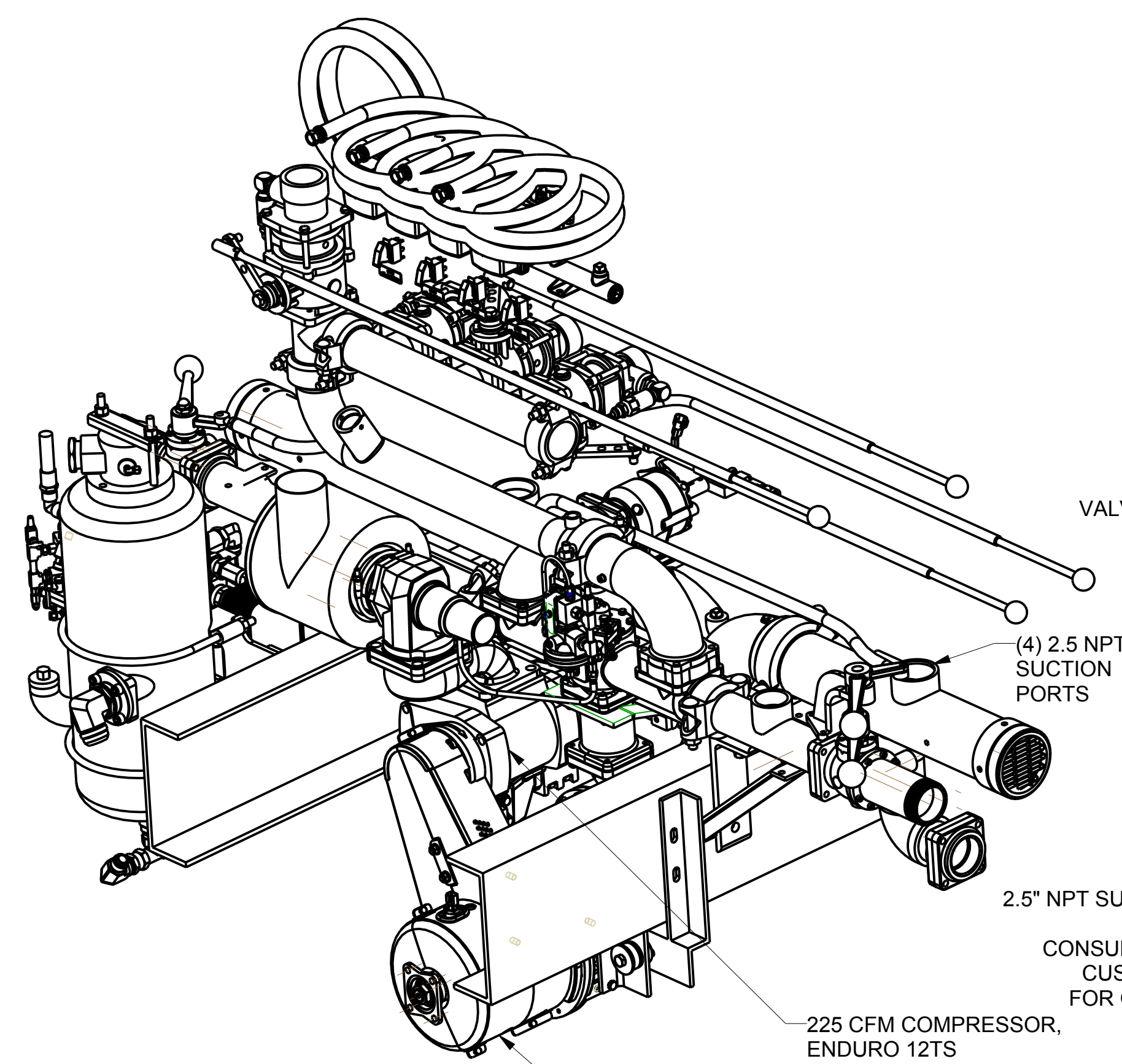


REVISIONS				
LTR	DESCRIPTION	DATE	CHG NO.	APPRD
A	AZ01708 WAS AZ01704. REPLACED INDIVIDUAL CAFS ASSY'S WITH INTEGRATED ASSY.	01/26/12	8051	RJG



OPTIONAL RELIEF VALVE ASSY w/ MITER GEAR CONTROL

(4) 2.5 NPT SUCTION PORTS

2.5" NPT SUCTION INLET (OPTIONAL) CONSULT WITH DARLEY CUSTOMER SERVICE FOR OTHER OPTIONS

225 CFM COMPRESSOR, ENDURO 12TS (AZ00407, REF. DWG. DCM0905)

PUSH-PULL VALVE CONTROLS

BELT, SPROCKET AND CLUTCH HORIZONTALLY-SPLIT BELT COVER ASSY (AZ01708)

(A)

2.5" CAFS CAPABLE DISCHARGE VALVE (AZ02600)

10.44 [265.1]

5.31 [134.9]

OPTIONAL RELIEF VALVE ASSY w/ MITER GEAR CONTROL

(2) 2.5" DISCHARGE VALVES (VB00106)

(2) 4" SUCTION EXTENSIONS

(2) 2.5" PONY SUCTION INLETS FLANGED CONNECTION 3.25" SQUARE BOLT PATTERN, FOR 3/8" THREADED FASTENERS

PUMP DRAIN GEAR CASE OIL DRAIN

77.55 [1969.8]

81.66 [2074.3]

72.18 VALVES CLOSED [1833.5]

CAFS AIR DISTRIBUTION SLOW OPEN VALVE ASSEMBLY (AZ02304)

AIR INLET VALVE ASSY (AZ00806)

DISCHARGE HEAD W/ INTEGRAL CHECK VALVE

REMOTE PASSENGER SIDE DISCHARGE VALVE CONTROL

51.45 [1306.8]

9.31 [236.5]

Ø .44 [11.2]

9.72 [246.9]

2.41 [61.2]

2.87 [72.9]

72.00 BODY WIDTH [1828.8]

79.32 VALVES OPEN [2014.8]

2" NPT PUMP TO TANK PORT

2" CAFS CAPABLE DISCHARGE VALVES (AZ02500)

FOAM MANIFOLD ASSEMBLY OPTION 01 - OEM STANDARD (YE06101, REFERENCE DWG DCM1501)

OIL FILTER

OIL SEPARATOR TANK TO HEAT EXCHANGER OIL HOSE

AIR/OIL DISCHARGE HOSE

OIL SEPARATOR TANK, HEAT EXCHANGER AND PRESSURE BALANCE VALVE INTEGRATED ASSY.

THIS ASSY CAN BE RELOCATED IN RELATION TO THE PUMP/COMPRESSOR UNIT. RECOMMENDED MOUNTING HEIGHT IS WHERE THE OIL SEPARATOR TANK OIL LEVEL IS AT OR BELOW THE COMPRESSOR ROTOR CENTERLINE. (AZ03201, REF. DWG. DCM1901)

PTO DRIVE - ENGINE ROTATION ONLY

REMOVE SHARP EDGES

INCH (MILLIMETER)

OLD PART NO.

TOLERANCE EXCEPT AS NOTED

W.S. Darley & Co. ITASCA, IL - CHIPPEWA FALLS, WI

MATERIAL DESCRIPTION:

MATERIAL NO. PATTERN NO.

DRY R/G

DATE 03/24/10

THIS DESIGN IS THE PROPERTY OF W.S. DARLEY AND CO. - UNAUTHORIZED REPRODUCTION IS PROHIBITED

ALL DIMENSIONS IN INCHES UNLESS NOTED

DO NOT SCALE PRINT

SCALE 1/8

MODEL NAME: DHD2110

MDL CREATED: 03/24/10

SHEET: 1/1

D

DHD2110