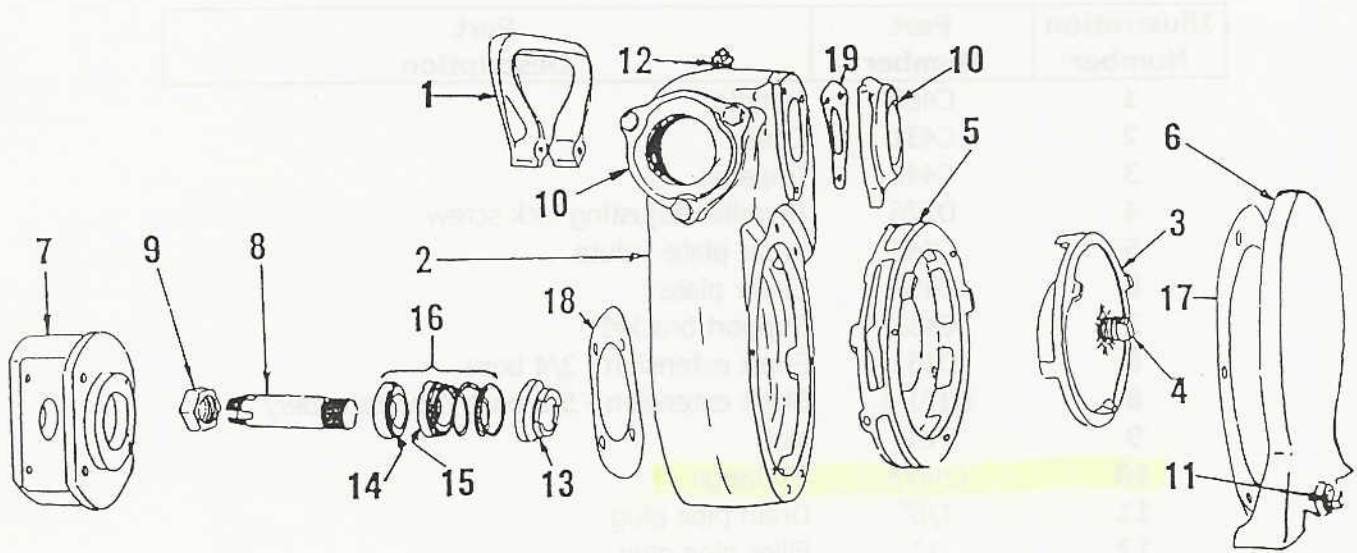
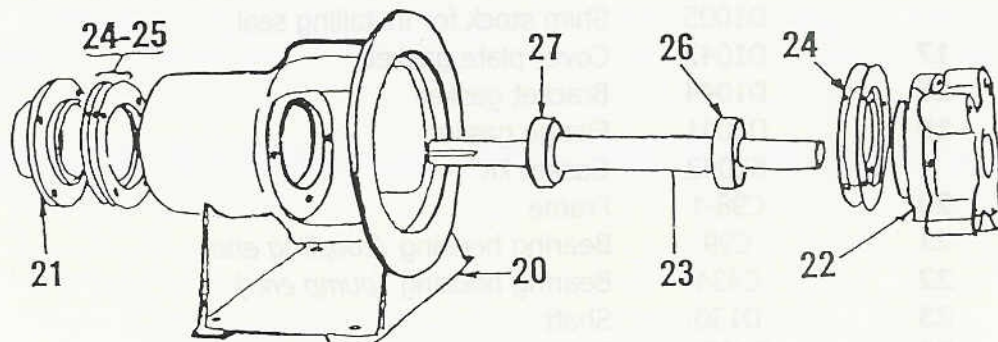


# OHLER Model 6320

## Pump Drawing



## Frame for electric pump



## Model 6320 Parts List

Item Number	Part Number	Qty Required	Description of Part
1	C460	1	Handle
2	C431	1	Case
3	C442	1	Impeller
4	D176	1	Impeller Adjusting Screw
5	C443	1	Wear Plate - Volute
6	C457	1	Cover Plate
7	C433	1	Support Bracket
8	D131	1	Shaft Extension
9	D132	1	Nut
10	C447A	2	2" Flange
11	1/8"	1	Drain Plug
12	1"	1	Filler Plug
13	C440	1	Spring Retainer
14	D401	1	Ceramic Seat Only
15	D402	1	Carbon Face Only
16	A125V-2	1	Seal Kit
17	D1042	1	Cover Plate Gasket
18	D1044	1	Bracket Gasket
19	D1041	2	Flange Gasket
	K1042	1	Gasket Kit
<b>Model B6320 Power Frame Components</b>			
20	C98-1	1	Support Head
21	C99	1	Bearing Housing (Coupling End)
22	C434	1	Bearing Housing (Pump End)
23	D130	1	Shaft
24	D1006	2 - 4	Bearing Housing gasket
25	D1006-1	0 - 6	Bearing Housing Shim
26	204P	1	Bearing for Pump End
27	204	1	Bearing for Coupling End