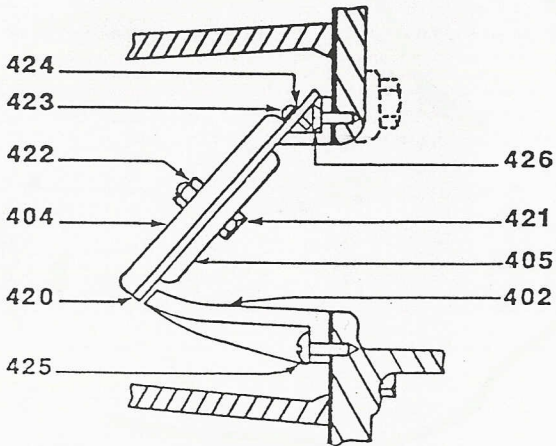
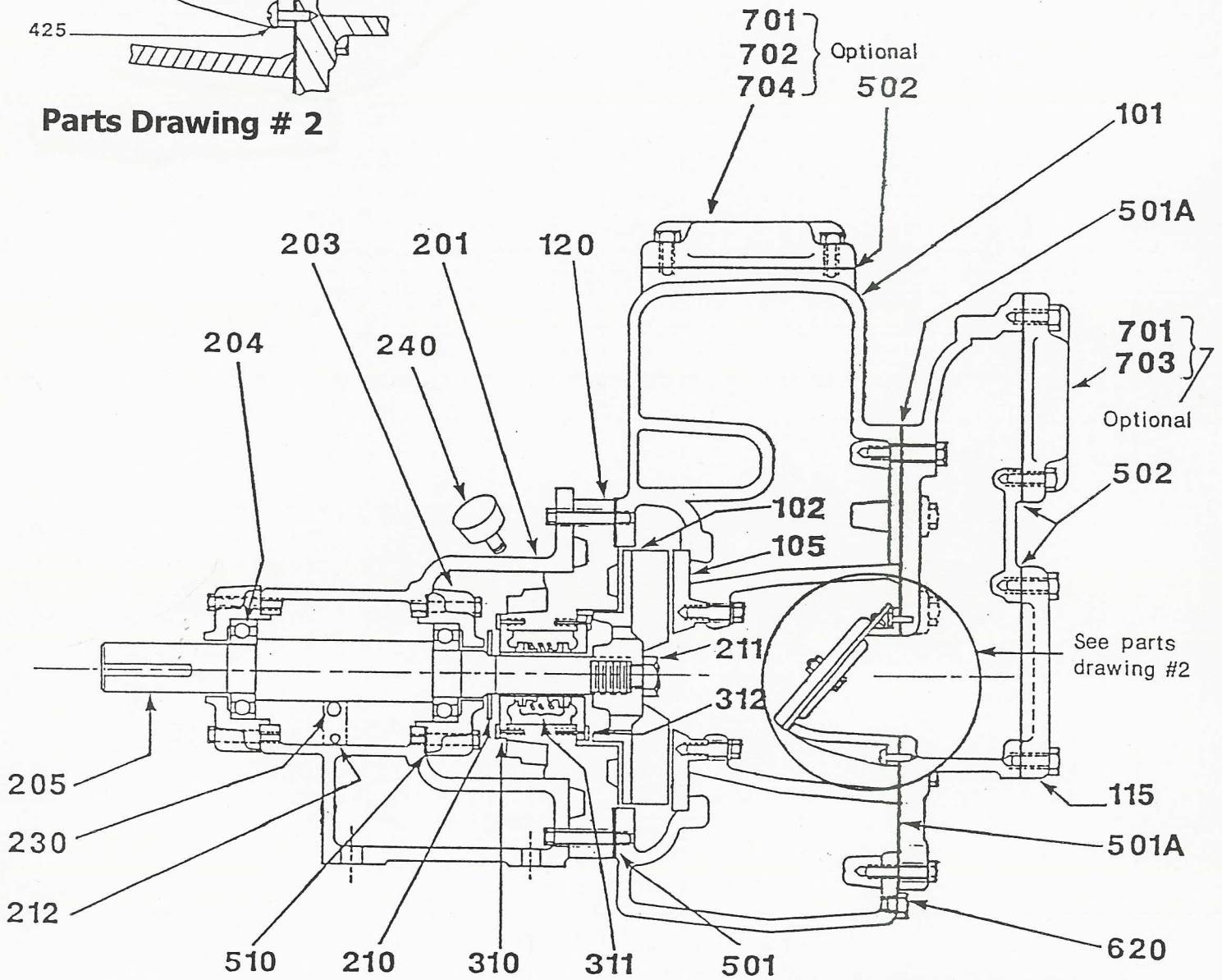


OHLER MODEL B36

Parts List



Parts Drawing # 2



Parts Drawing # 1

Ohler Machinery Co.
Janesville, IA 50647 USA
 319 987-2121

OHLER MODEL B36

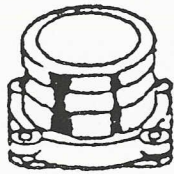
Parts list

	Illustration Number	Part Number	Part Description	Miscellaneous Information
Major Pump Parts	101	C121	Pump case	
	102	C122	Impeller	
	105	C234	Wear plate	
	114	C144	Suction head	
	115	C1050	Clean out plate	
	120	C307	Adapter plate	
Power Frame & Mounting Parts	201	C305	Support head	
	203	C548	Bearing cap	
	204	B504	Ball bearing	<i>for motor</i>
	221	B508	Bearing	<i>for shaft end of motor</i>
	216	A324	Pump and motor base	
	206	D317	Spacer for pump	
	217	D316	Coupling guard	
	205	D4001	Shaft	
	210	D144	Flinger	
	211		Impeller nut	<i>need 1</i>
	212	B2304	Lubrication fitting	
	230	1/8"	Lubrication level plug	
	240		Lubrication cup	
Seal Parts	310	C133	Seal plate	<i>bronze or stainless steel - 2</i>
	311	B106	Seal	
	312		Pan head screw	<i>need 12</i>
	313	K106	Seal kit (all of the above)	
Check Valve	402	C128	Check valve body	
	404	C131	Check valve weight	
	405	C132	Check valve retainer	
	420	D202	Check valve flapper	
	421		Hex head screw	<i>need 2</i>
	422		Hex nut	<i>need 2</i>
	423		Pan head screw	<i>need 12</i>
	424		Flat washer	<i>need 2</i>
	425		Round head screw	<i>need 1</i>
	426		Flat head screw	<i>need 1</i>

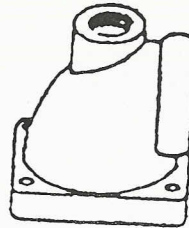
OHLER MODEL B36

Parts list

	Illustration Number	Part Number	Part Description	Miscellaneous Information
Gaskets	501	D1030	Support side gasket	
	501A	D1010	Suction head gasket	
	502	D1013	Flange & clean out plate gasket	
	510	D1023	Bearing cap gasket	
Misc. item	620	1/4"	Drain plug	
Optional Connection Fittings	701	C257	Male camlock fitting connector	
	702	C157	3"x1" flanged outlet tee	
	703	C149	3" pipe thread flange for inlet	
	704	C149	3" pipe thread flange for outlet	



701



702

703 704

