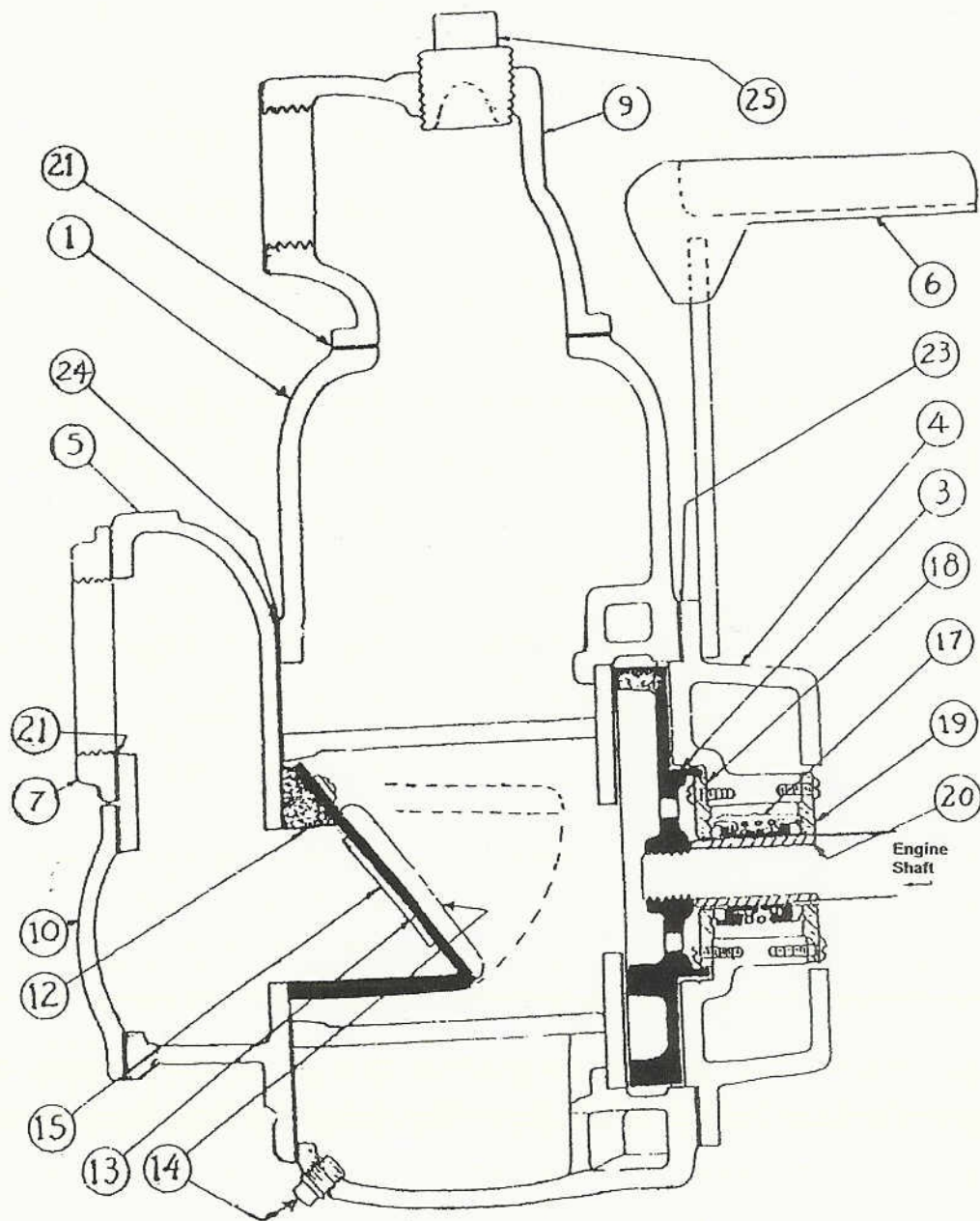
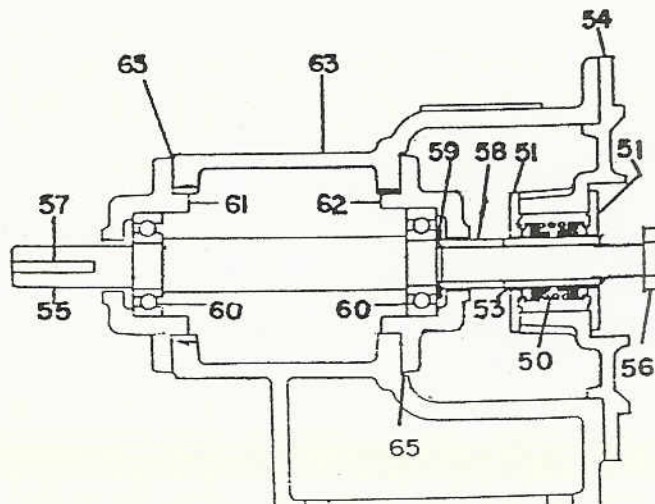


# Model 22 Parts List



# Model B22 Power Frame Components



## Model 22 Parts List

Item Number	Part Number	Qty Required	Description of Part
1	C411-1	1	Case
3	C116	1	Impeller
4	C119	1	Support Bracket
5	C104	1	Suction Head
6	C460	1	Handle
7	C109	1	2" Inlet Flange
9	C110A	1	2" Discharge Tee
10	C1037	1	Inspection Plate
11	1/4"	1	Drain Pipe Plug
12	C406	1	Check Valve Body
13	D1055-1	1	Check Valve Flap
14	C407	1	Check Valve Weight
15	C408	1	Check Valve Retainer
17	B105	1	Seal
18	C113	1	Seal Plate (Impeller End)
19	C118	1	Seal Plate (Engine End)
19a	10-24	8	Round Head Machine Screws
	K105A	1	Seal Kit (#17, 18, 19, 19a)
20	C114	1	Seal Sleeve
21	D1001	3	Flange & Inspection Gasket
23	D1002	1 - 3	Support Side Gasket
24	D1003	1	Suction Head Gasket
25	1"	1	Discharge Tee Plug
26	D1051	1	Valve Body Gasket
	K1001	1	Gasket Kit (#21, 23, 24, 26)
<b>Model B22 Power Frame Components</b>			
50	B105	1	Seal
51	C113	2	Seal Plate
52	10 - 24	8	Round Head Machine Screws
53	C114	1	Seal Sleeve
54	C100	1	Adapter Plate
55	D106	1	Shaft
56	5/8 - 18	1	Lock Nut for Shaft
57	1/4 X 1-1/2	1	Square Key
58	D159	1	Spacer Sleeve
59	B3001	0 - 3	Impeller Adjusting Shim
59	5/8	2	Back Up Washer
60	204	2	Ball Bearing
61	C99	1	Bearing Cap - Drive End
62	C99-1	1	Bearing Cap - Impeller End
63	C98	1	Power Frame
65	D1006	2 - 6	Bearing Cap Gasket