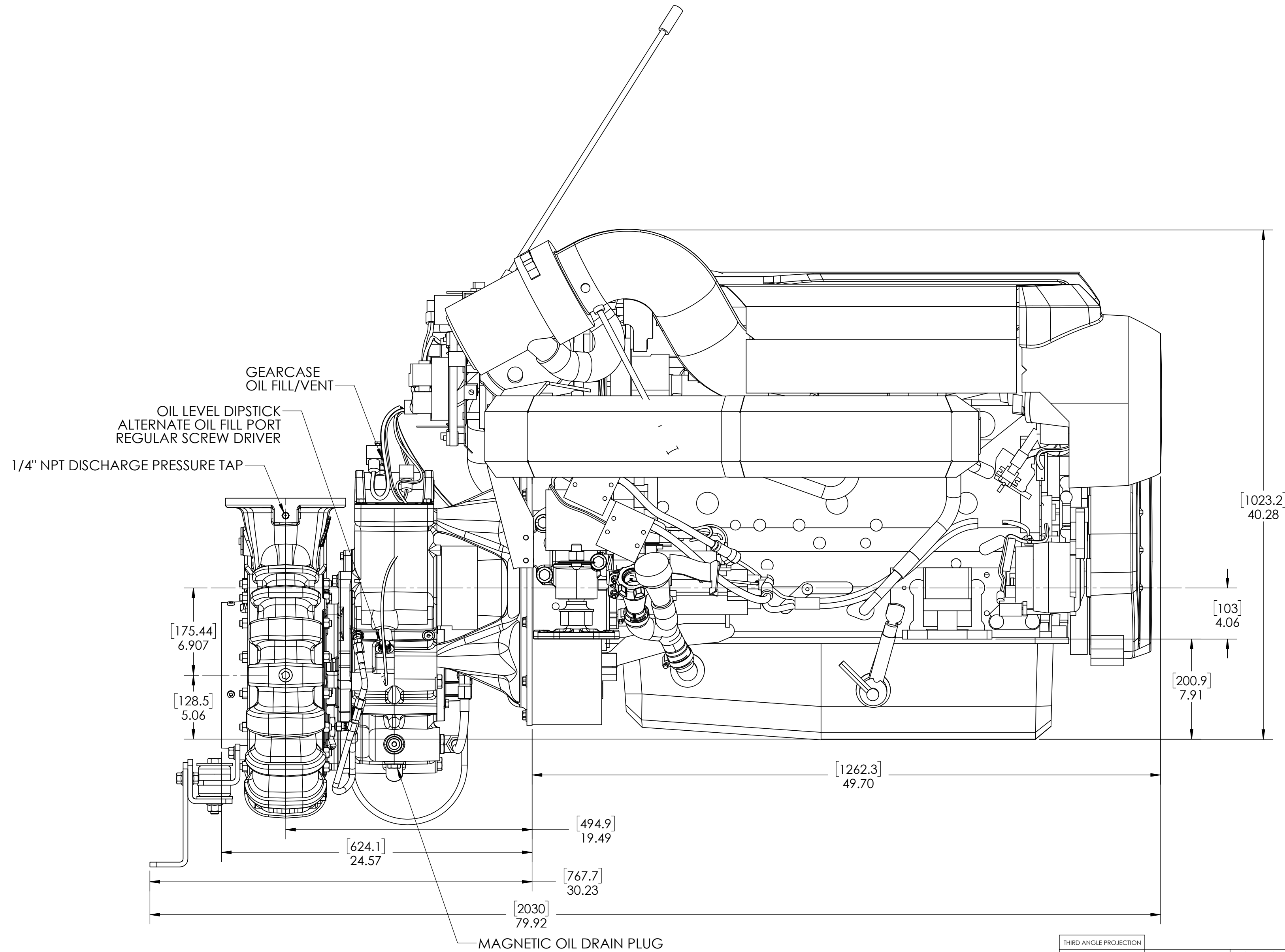
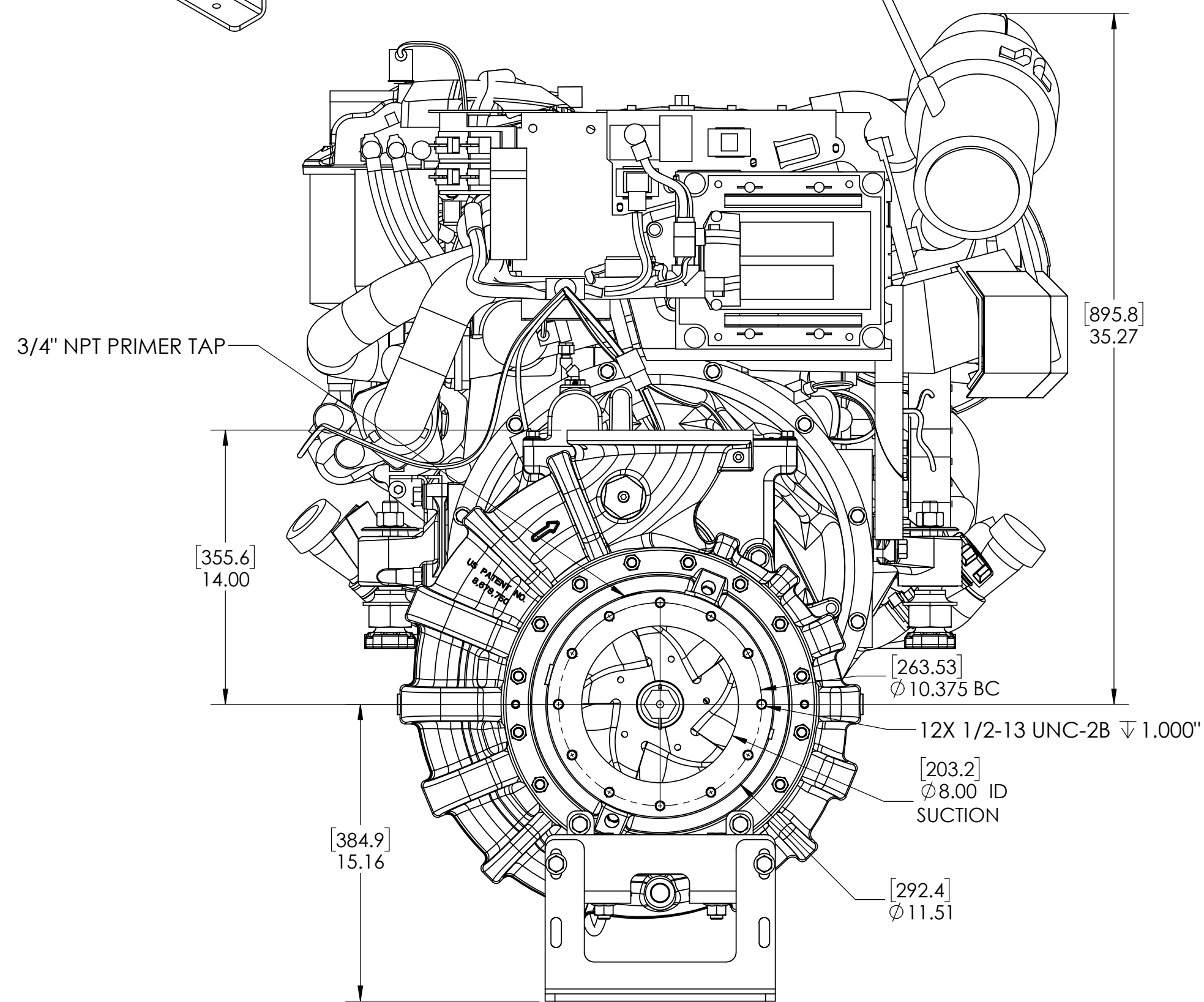
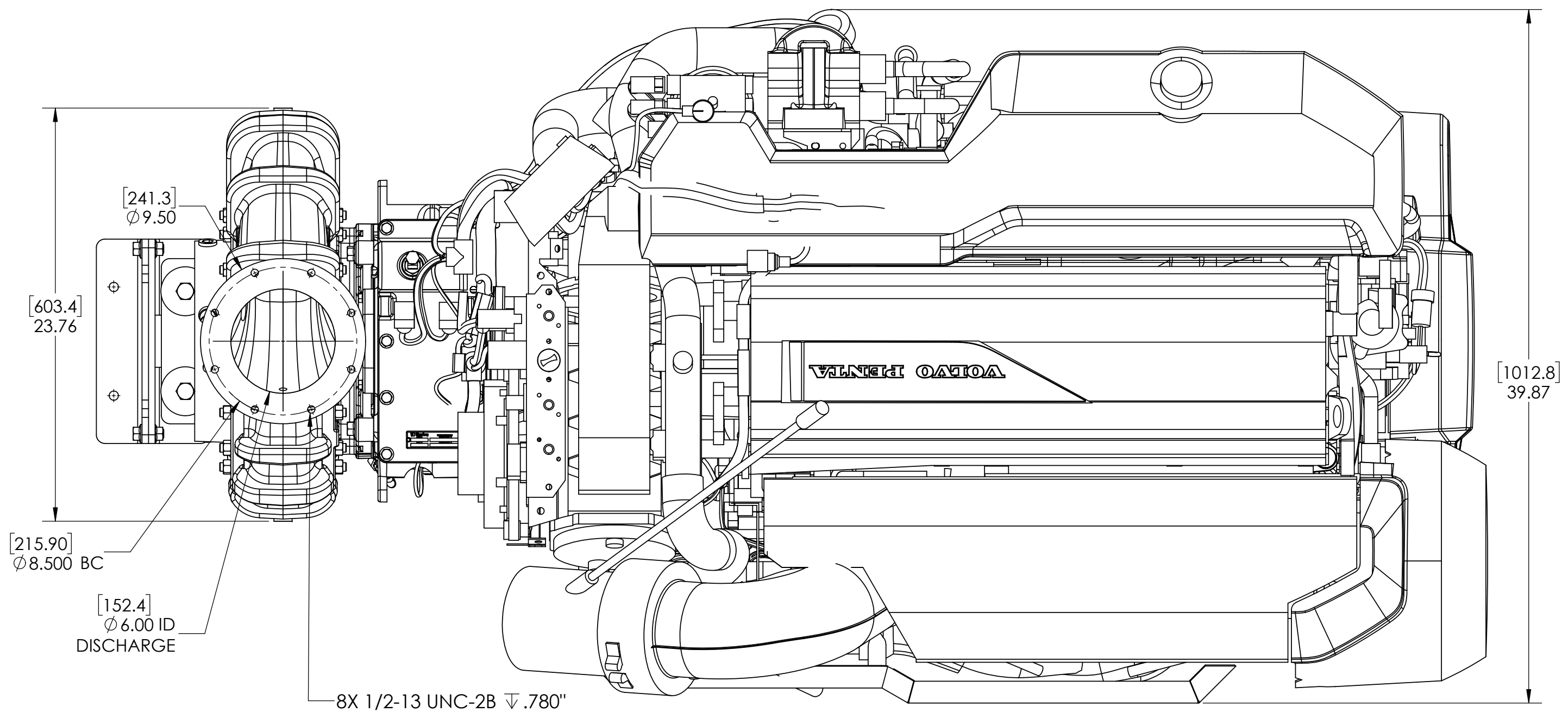
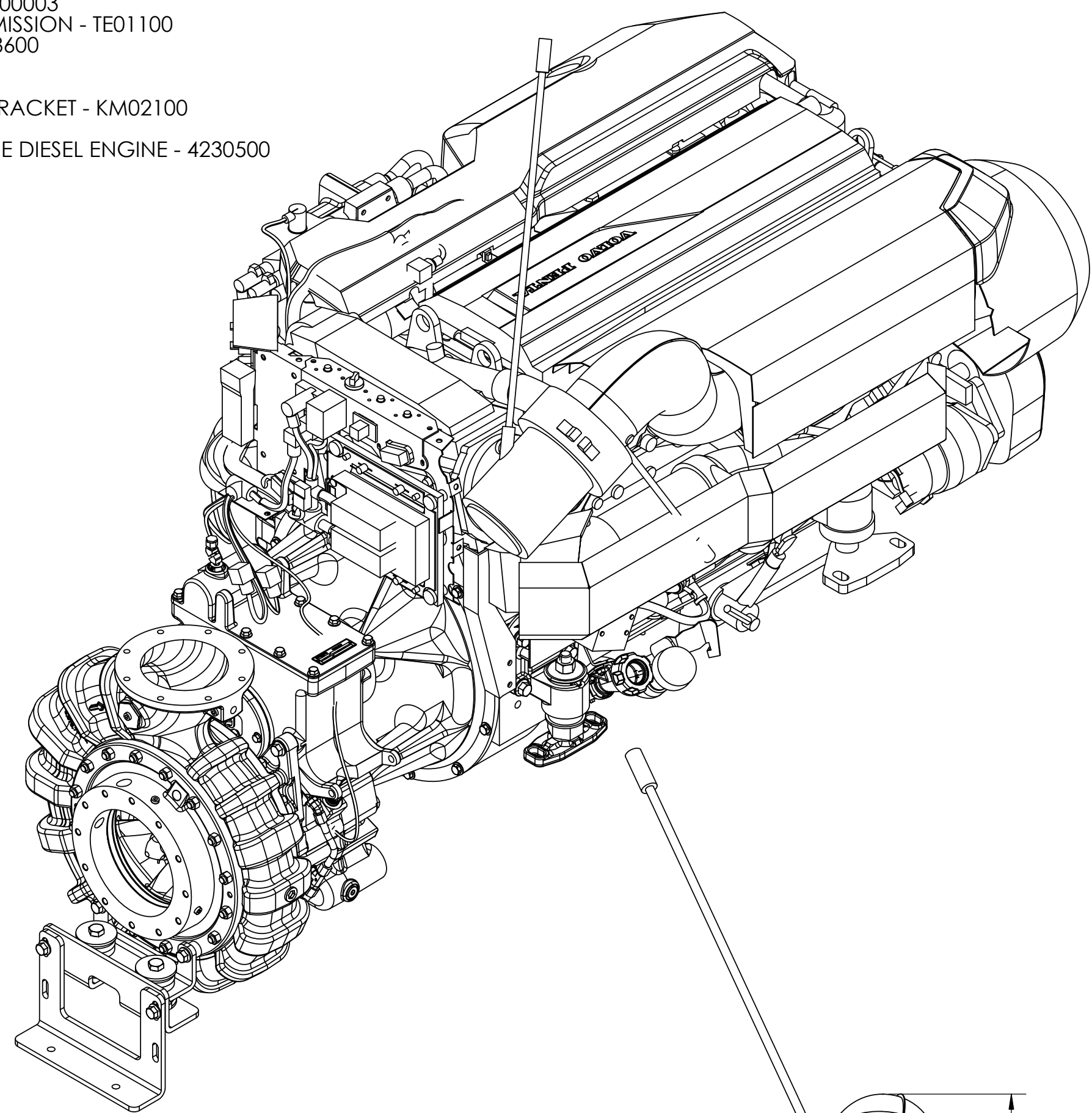


NOTES:
 1) OVERALL WEIGHT - 2587 LB

REFERENCE NOTES:
 1) BILL OF MATERIAL FOR ASSEMBLY SHOWN:
 BRONZE PUMP ASSEMBLY - PZ00003
 TWO GEAR INVERTED TRANSMISSION - TE01100
 LEFT HANDED IMPELLER - 2908600
 NO PRIMER - AP02158
 1.05:1 GEAR RATIO - KR07501
 SUCTION HEAD MOUNTING BRACKET - KM02100
 TAGS - KD00017
 VOLVO PENTA D8-510 MARINE DIESEL ENGINE - 4230500



THIRD ANGLE PROJECTION		MODEL	SHEET
OLD PART NO.		DZD0076	1/1
TOLERANCE EXCEPT AS NOTED		ITASCA, IL CHIPPewa FALLS, WI	
MATERIAL DESCRIPTION		DWG - ZSE, INPUT ABOVE	
MASS		VOLVO PENTA D8-510, DIMENSIONAL	
MATERIAL NO.		DATE: 06/20/2025	
PATTERN NO.		SCALE: 1:6	
DRWN WAH		DZD0076	
CKHD SMS			
TRCD			

REMOVE SHARP EDGES

ALL DIMENSIONS IN INCHES UNLESS NOTED

DO NOT SCALE PRINT