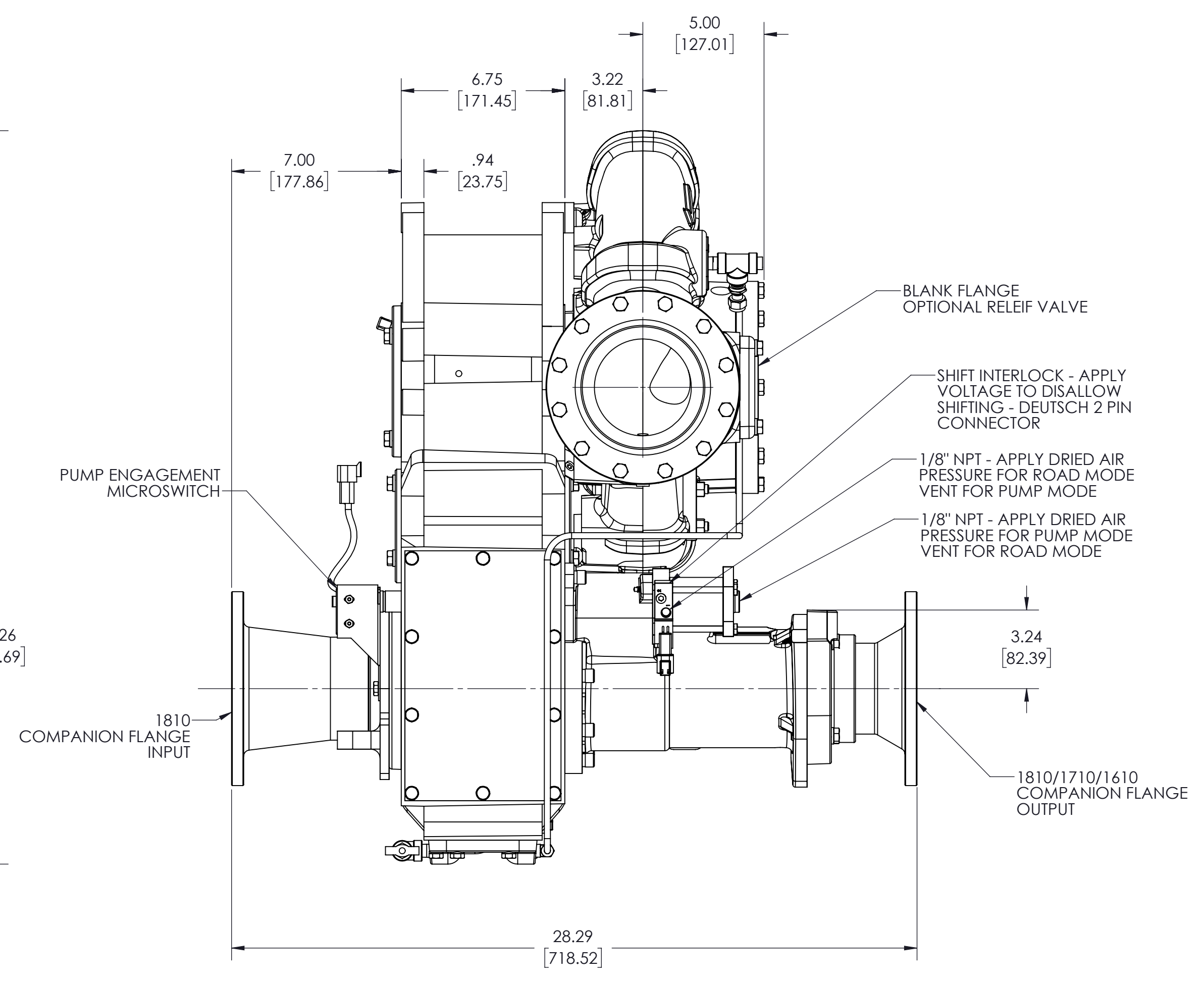
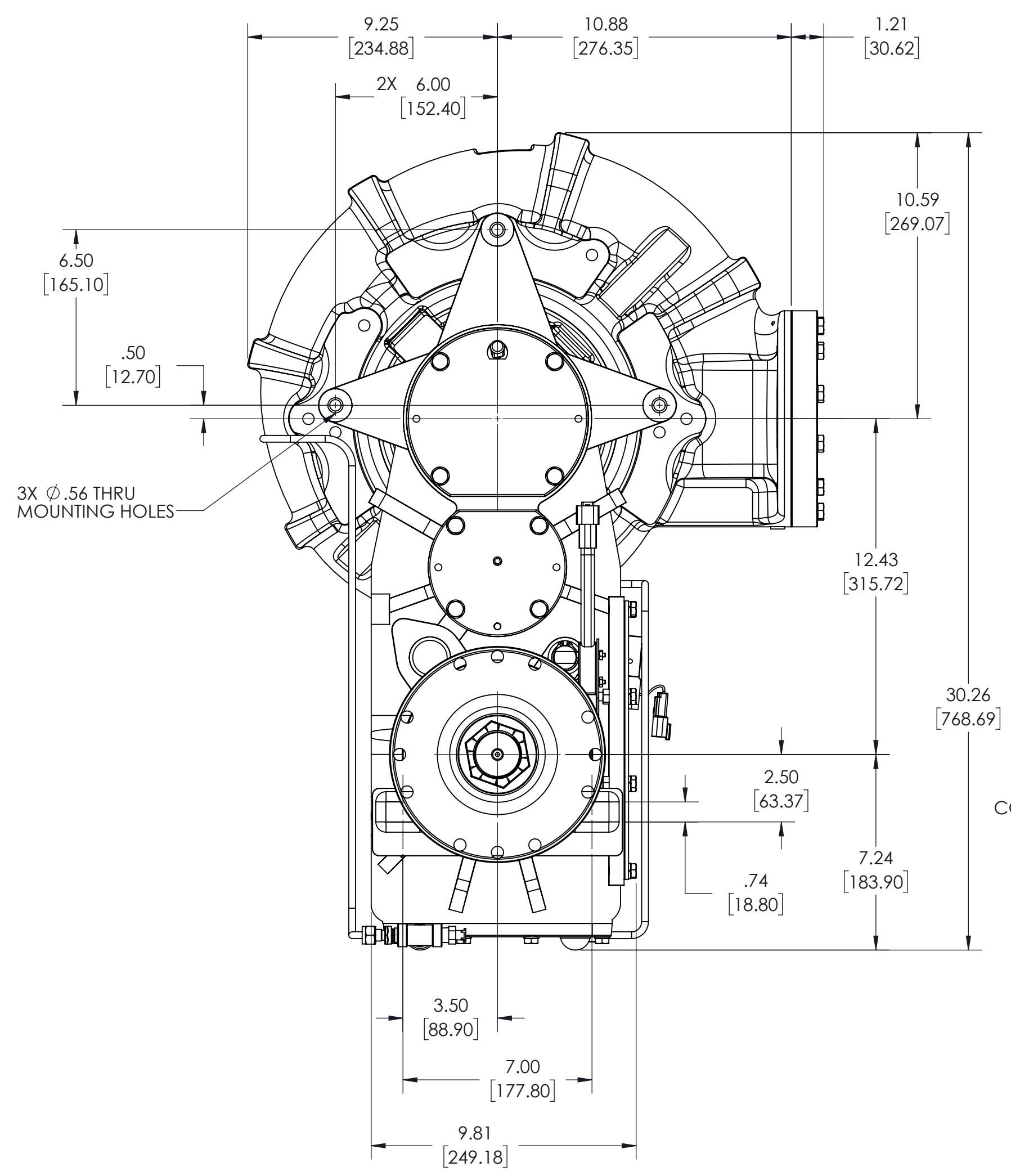
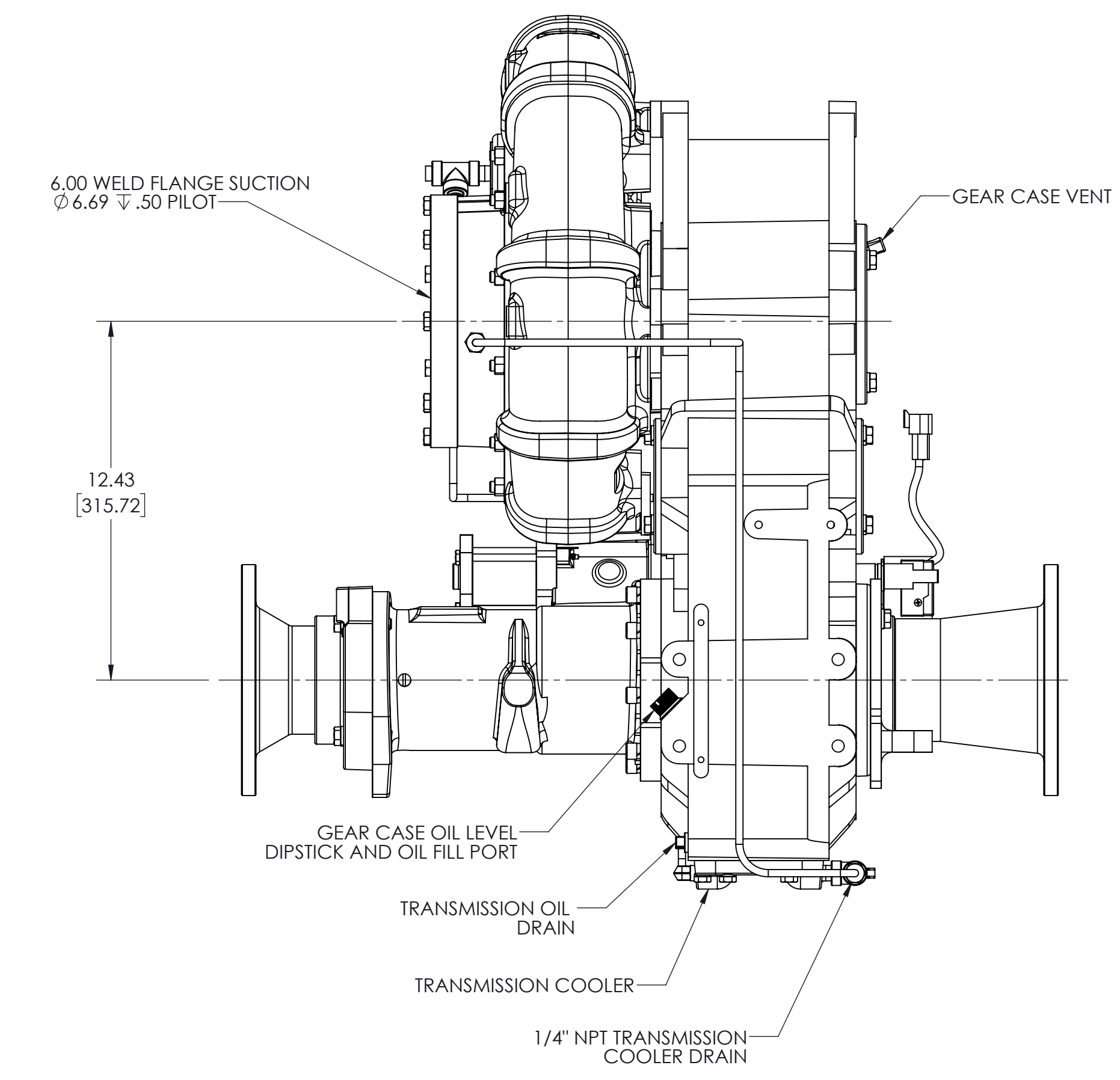


NOTES:
 1) APPROXIMATE WEIGHT = 527 LBS [239 KG]

REFERENCE NOTES:
 ASSEMBLIES SHOWN:
 PT01005 - PUMP ASSEMBLY
 TM00238 - TRANSMISSION ASSEMBLY
 YF00142 - DISCHARGE FLANGE
 YF00601 - R.V BLANK FLANGE
 AM01301 - TRANSMISSION COVER PLATE
 YF01501 - SUCTION FLANGE
 AM00403 - TRANSMISSION COOLER
 AH00403 - PUMPS SHIFT
 AB00403 - NO BRAKE
 KR07701 - 2.12:1 GEAR RATIO
 4816811 - INPUT FLANGE
 4816810 - OUTPUT FLANGE



THIRD ANGLE PROJECTION		MODEL	SHEET
OLD PART NO.		DTD1005	1/1 D
REMOVE SHARP EDGES	INCH [MILLIMETER]	TOLERANCE EXCEPT AS NOTED	
MATERIAL DESCRIPTION	MASS	.00 \pm .03 .000 \pm .010 ANGLES \pm 1	
526.81 LBS	526.81 LBS	DRWN	SMS
THIS DESIGN IS THE PROPERTY OF WS. DARLEY CO. - UNAUTHORIZED REPRODUCTION IS PROHIBITED		DATE	8/27/2020
ALL DIMENSIONS IN INCHES UNLESS NOTED		DATE	8/27/2020
DO NOT SCALE PRINT		SCALE	1:4
		DATE	8/27/2020
		SCALE	1:4
		DATE	8/27/2020
		SCALE	1:4



DWG - TSM, PUMP REAR
 COMP FLANGE
 DATE: 8/27/2020
 SCALE: 1:4
 DTD1005