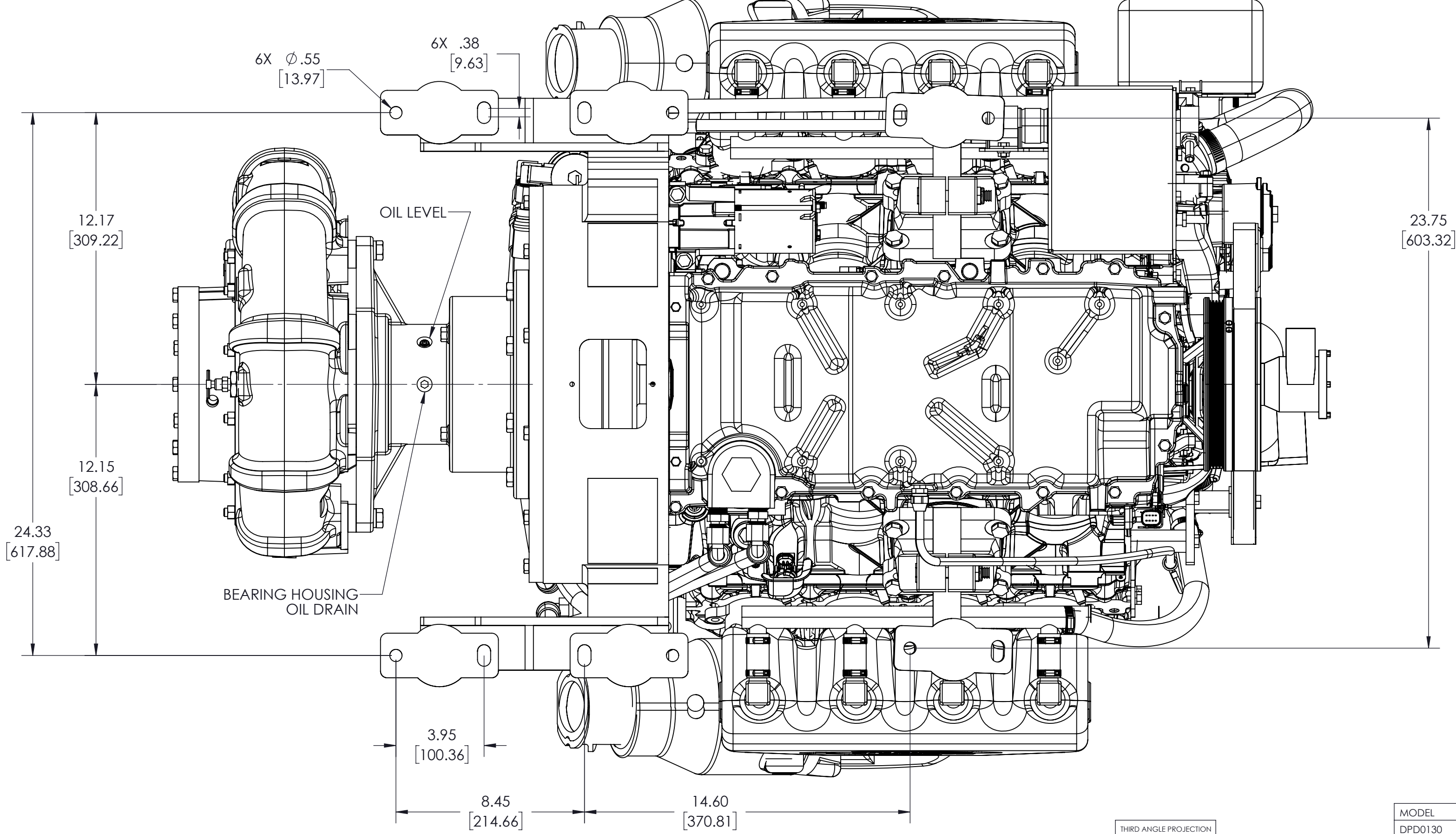
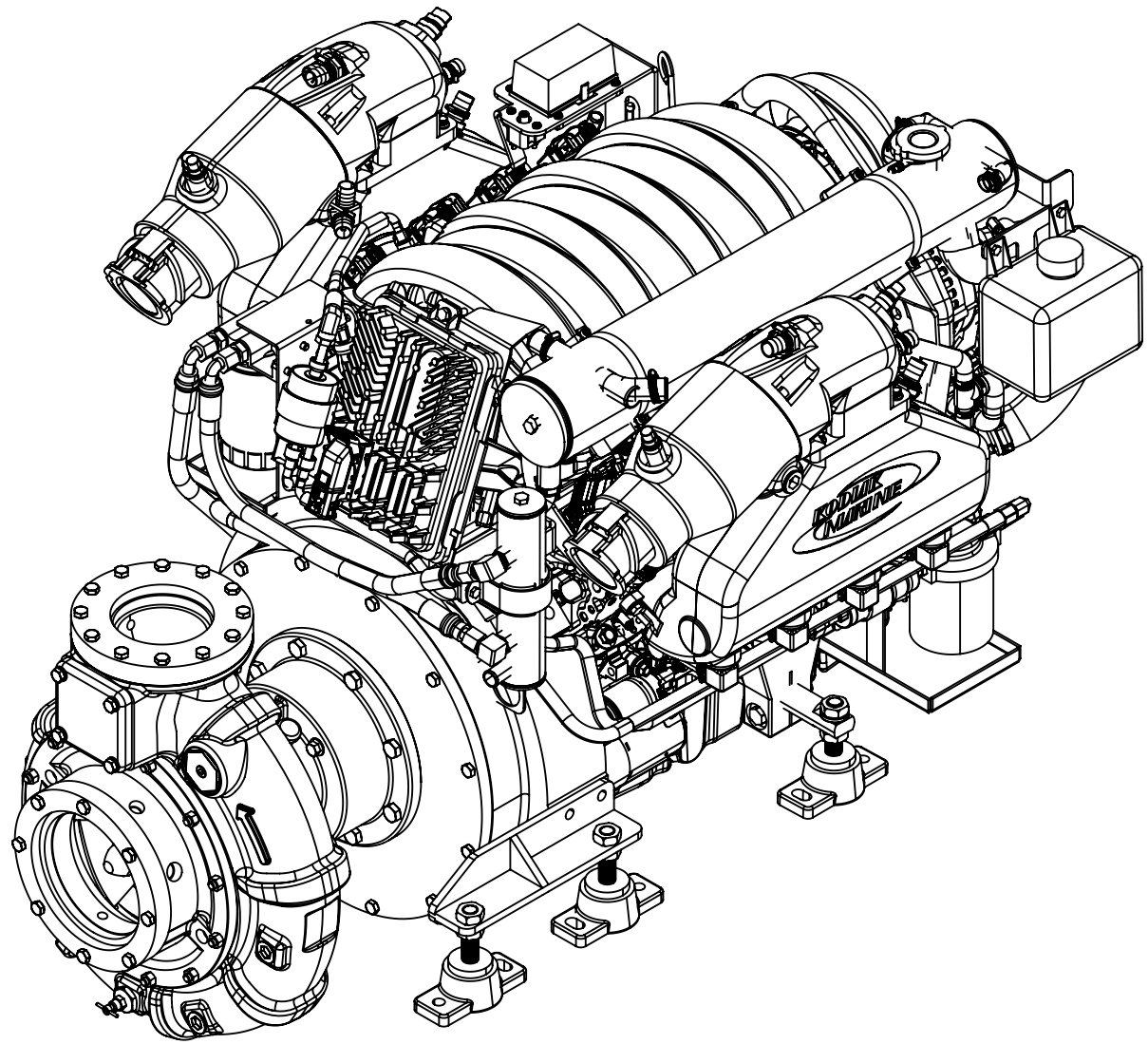
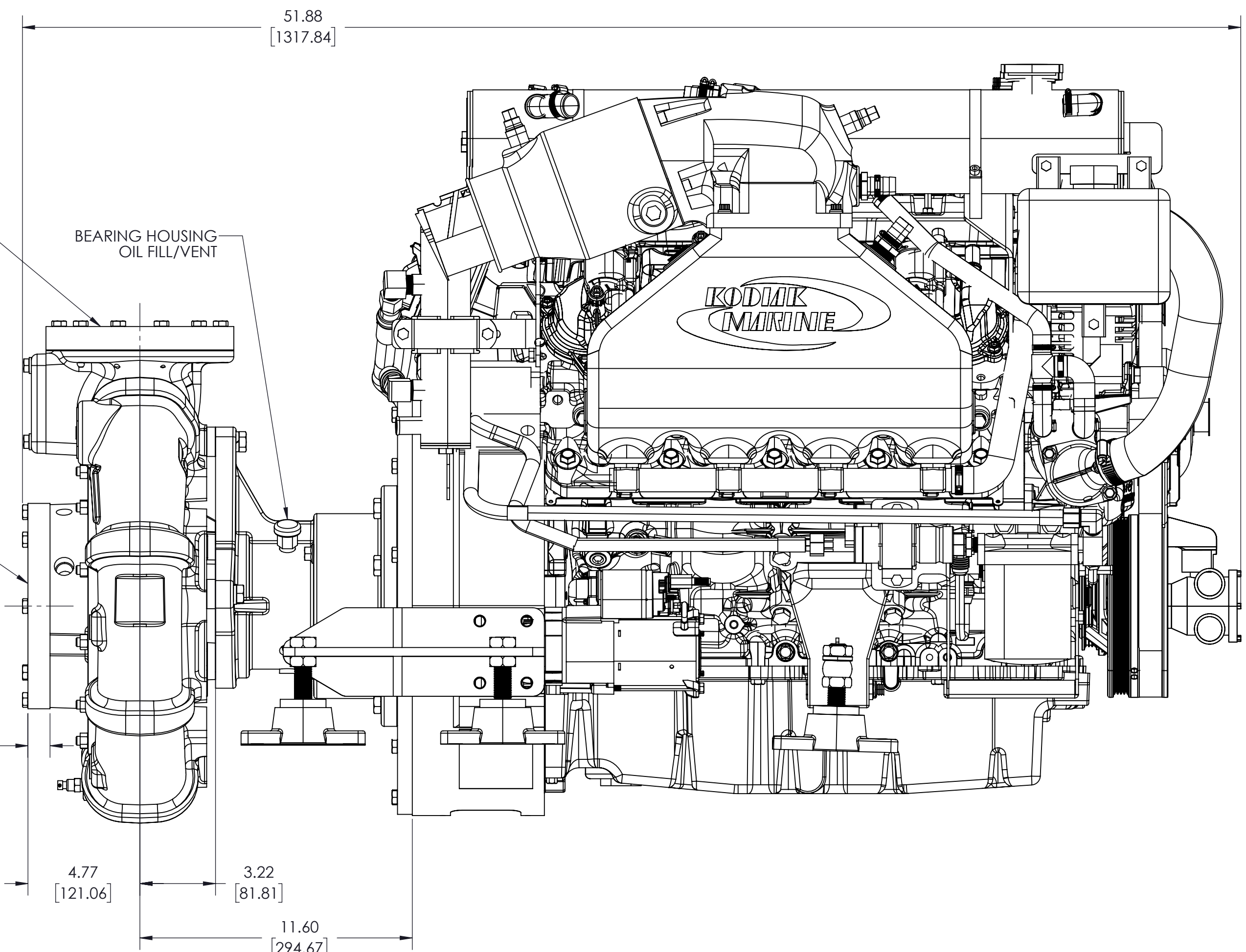


4.00" WELD DISCHARGE
OPTIONS AVAILABLE

6.00" WELD SUCTION
OPTIONS AVAILABLE



ASSEMBLIES SHOWN:
 4214134 - KEM 6.2 ENGINE
 PT01013 - PUMP
 TE01000 - BEARING HOUSING
 YF00622 - BLANK RV FLANGE
 YF00145 - DISCHARGE FLANGE
 YF01511 - SUCTION FLANGE

THIRD ANGLE PROJECTION		MODEL	SHEET
REMOVE SHARP EDGES	INCH [MILLIMETER]	DPD0130	1/1 D
MATERIAL DESCRIPTION	MASS	OLD PART NO.	TOLERANCE EXCEPT AS NOTED
1105.69 LBS	1105.69 LBS	PATTERN NO.	.00 ±.03 .000 ±.010 ANGLES ±1
THIS DESIGN IS THE PROPERTY OF WS DARLEY CO. - UNAUTHORIZED REPRODUCTION IS PROHIBITED	ALL DIMENSIONS IN INCHES UNLESS NOTED	DRWN	NO RV
		CKHD	DATE: 05/20/2024
		SLS	SCALE: 1:4
		TRCD	DPD0130

DO NOT SCALE PRINT

