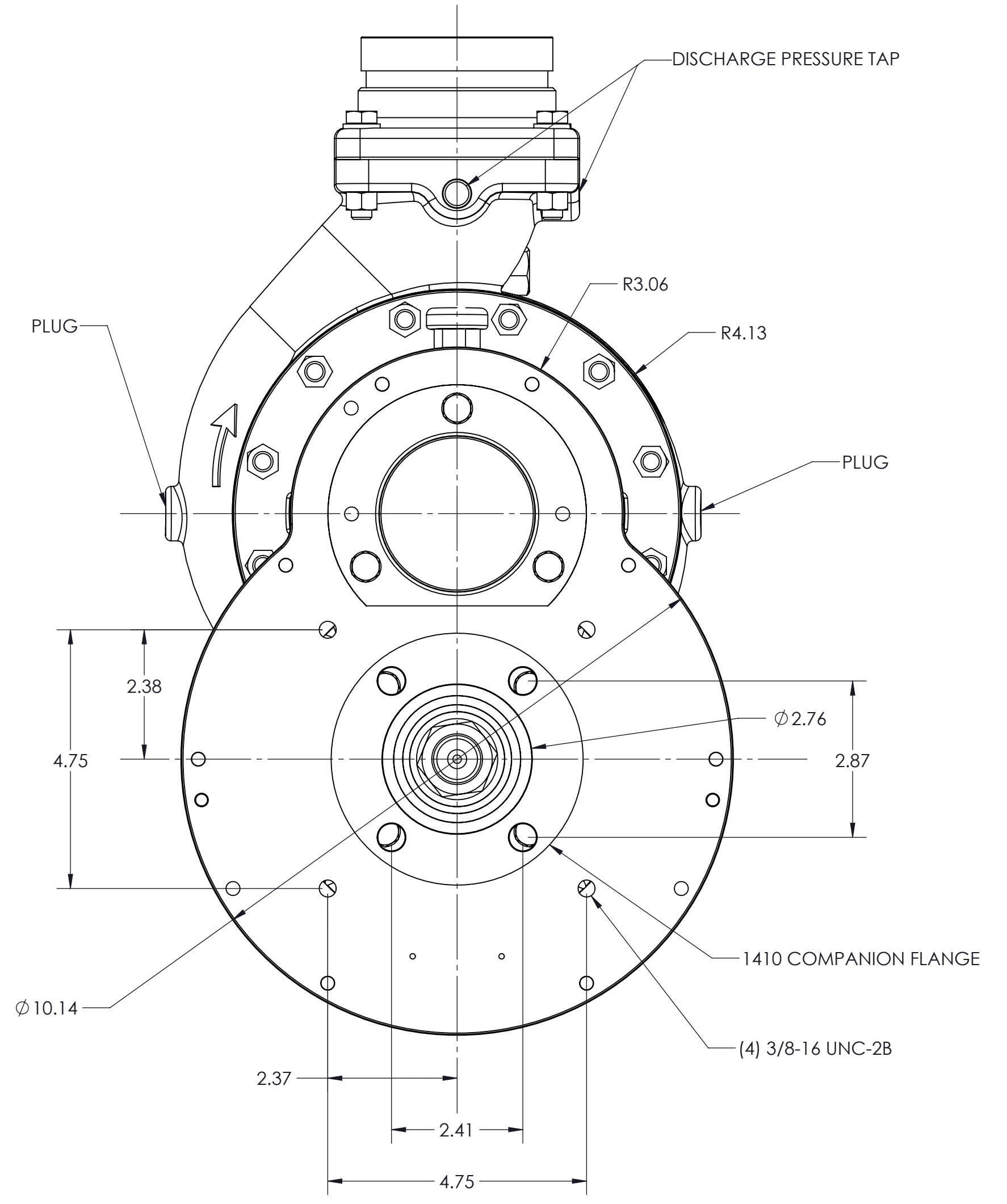
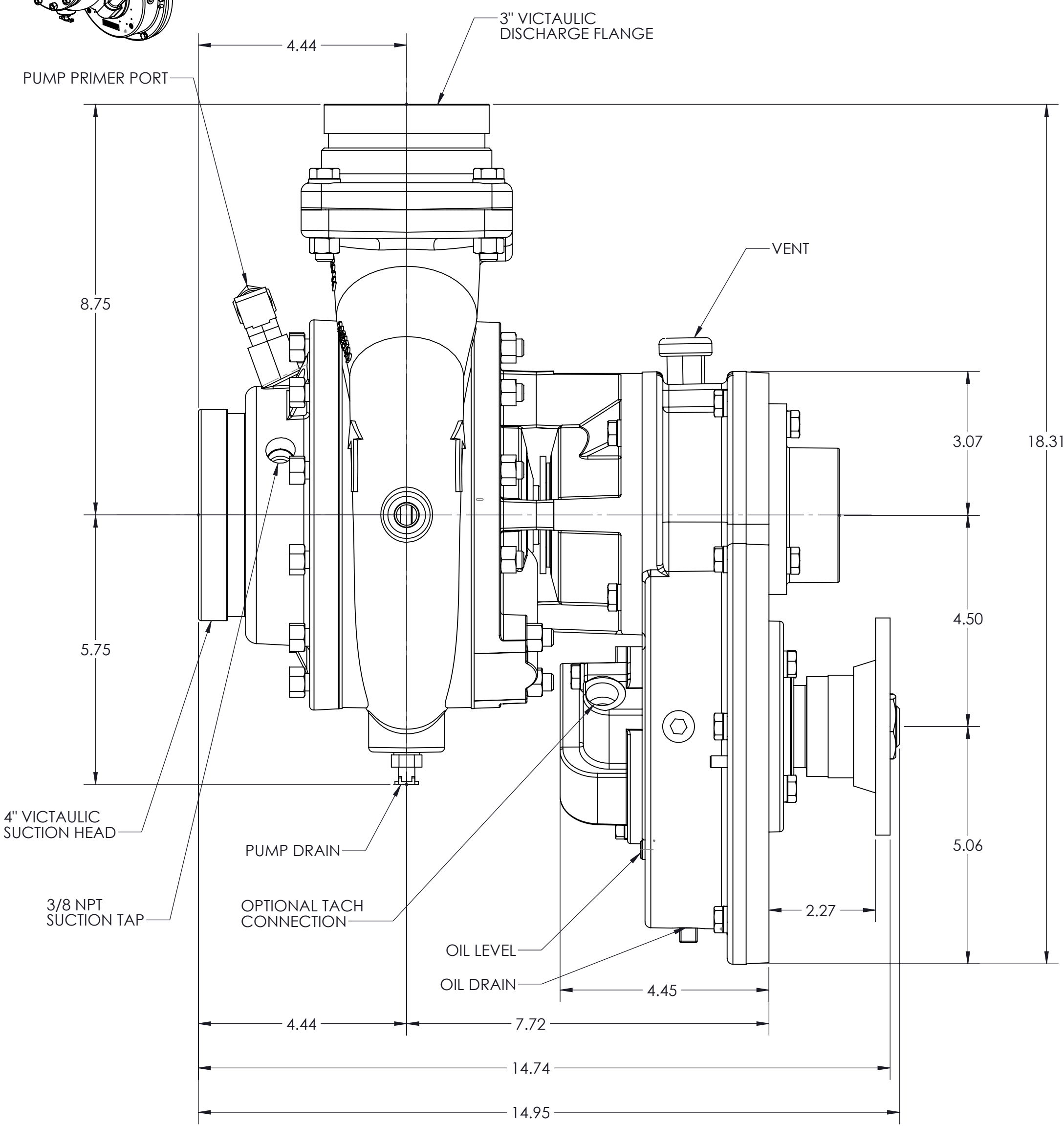
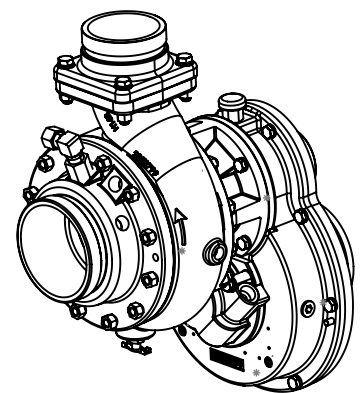


REVISIONS				
ZONE	REV.	DESCRIPTION	DATE	CHG NO. APPROVED



NOTES:
 1) THE PRIMER PORT MUST BE AT OR ABOVE THE CENTERLINE OF THE IMPELLER
 2) THE PUMP DRAIN MUST BE AT THE LOWEST POINT OF THE PUMP

THIRD ANGLE PROJECTION		MODEL	SHEET
REMOVE SHARP EDGES	INCH (MILLIMETER)	DHD0417	1/1 C
MATERIAL DESCRIPTION	MASS	OLD PART NO.	TOLERANCE EXCEPT AS NOTED
-	LBS	PATTERN NO.	.00 ±.03 .000 ±.010 ANGLES ±1
THIS DESIGN IS THE PROPERTY OF WS. DARLEY CO. - UNAUTHORIZED REPRODUCTION IS PROHIBITED	ALL DIMENSIONS IN INCHES UNLESS NOTED	DRWN	MMF
DO NOT SCALE PRINT		CKHD	SMS
		TRCD	
		DATE: 08/18/2023	DHD0417
		SCALE: 1:12	

