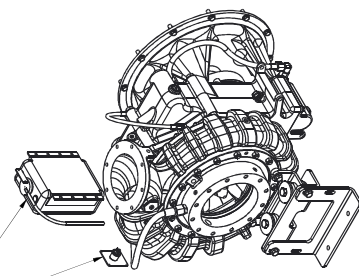


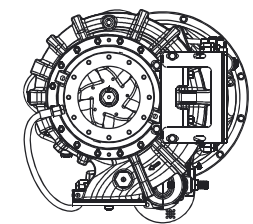
REV.	DESCRIPTION	DATE	CHKD. NO.	APPR.

OPTIONAL PUMP CASING POSITIONS
DISCHARGE CENTERED TO SUCTION

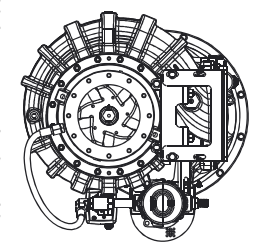
REMOTE MOUNT PRIMER
TANK AND CONTROL SWITCH



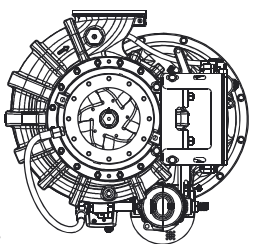
SCALE 1/8



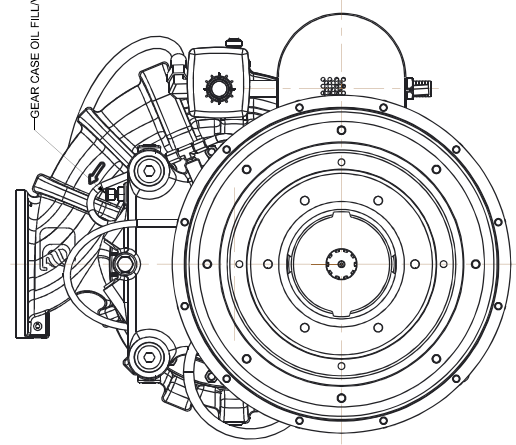
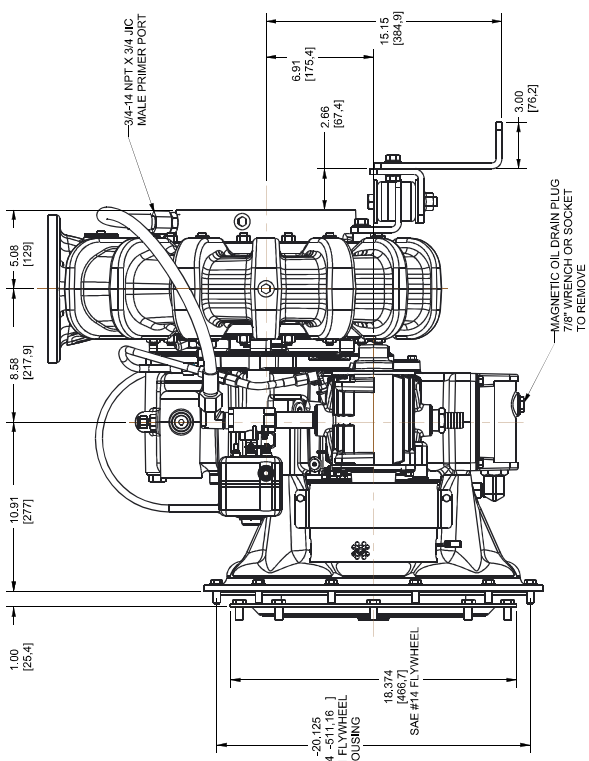
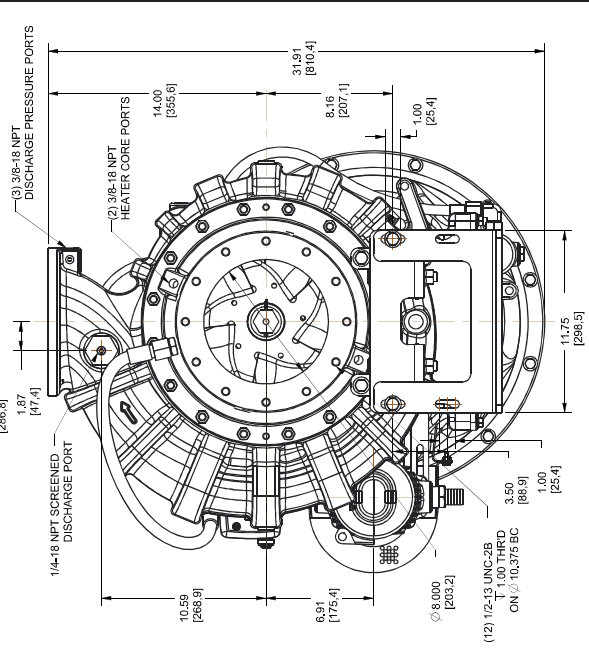
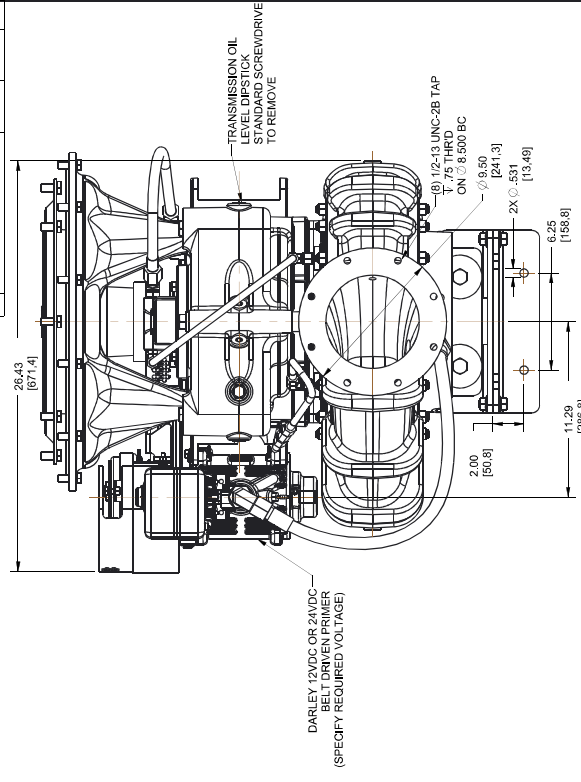
9 O'CLOCK DISCHARGE



6 O'CLOCK DISCHARGE



3 O'CLOCK DISCHARGE



REV.	DESCRIPTION	DATE	CHKD. NO.	APPR.

DESIGNED BY	REVISED BY	DATE	SCALE	PROJ. NO.	REV. NO.
DZD0031	DZD0031	02/28/2014	1/8"		
TOLERANCES UNLESS OTHERWISE SPECIFIED					
FRACTIONS TO 1/32"					
DIMENSIONS UNLESS OTHERWISE SPECIFIED					
SAE #1 X SAE #14					
MATERIALS					
FINISHES					
AS LISTED					
REMOVE SHARP EDGES					
INCH (MILLIMETER)					
DO NOT SCALE PRINT					
ALL DIMENSIONS ARE TO UNLESS INDICATED OTHERWISE					
THIS DRAWING IS THE PROPERTY OF DZD INC. IT IS TO BE USED ONLY FOR THE PROJECT AND QUANTITY SPECIFIED HEREON.					
DZD0031					