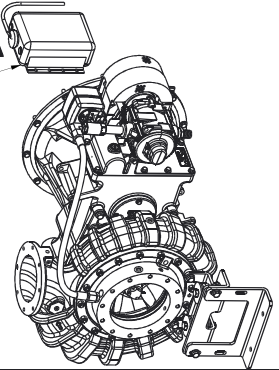
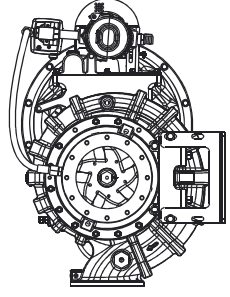
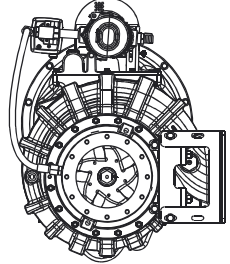
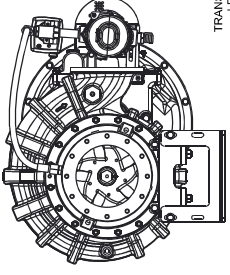
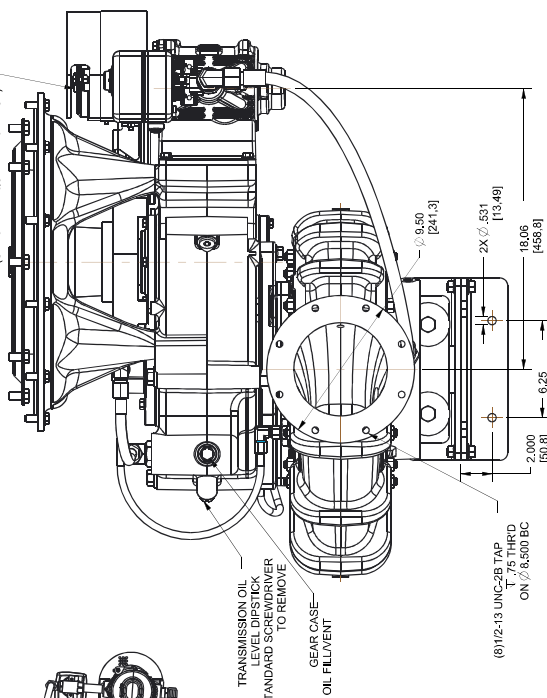


| REV. | DESCRIPTION | DATE | CHKD. NO. | APPROVED |
|------|-------------|------|-----------|----------|
|      |             |      |           |          |

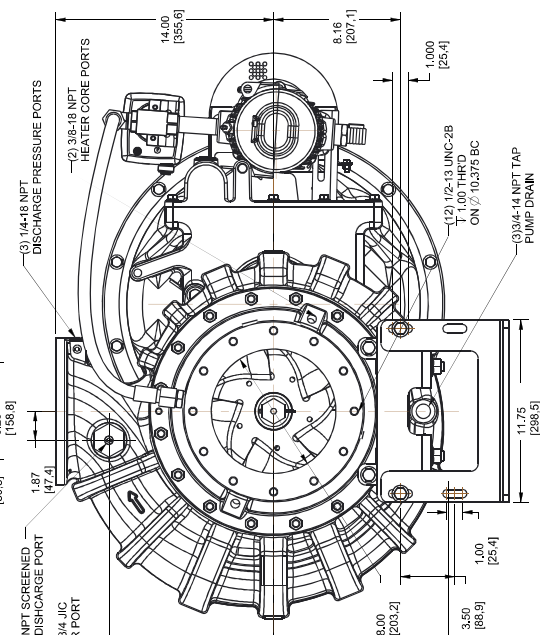
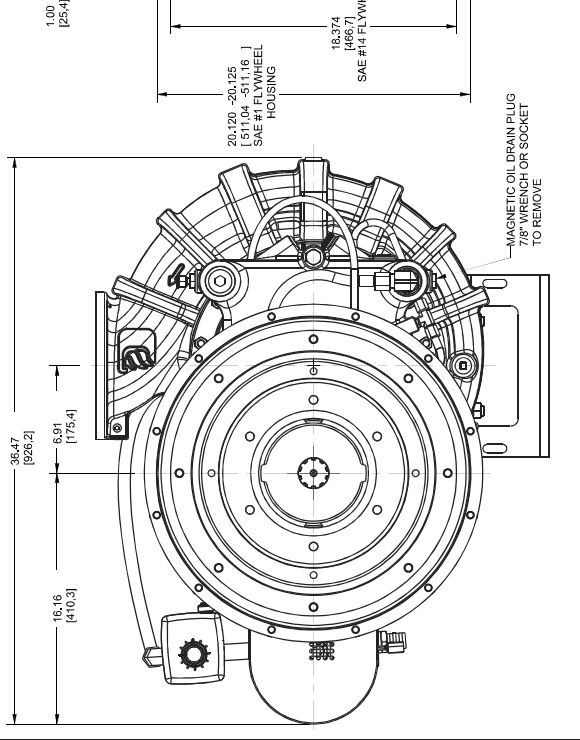
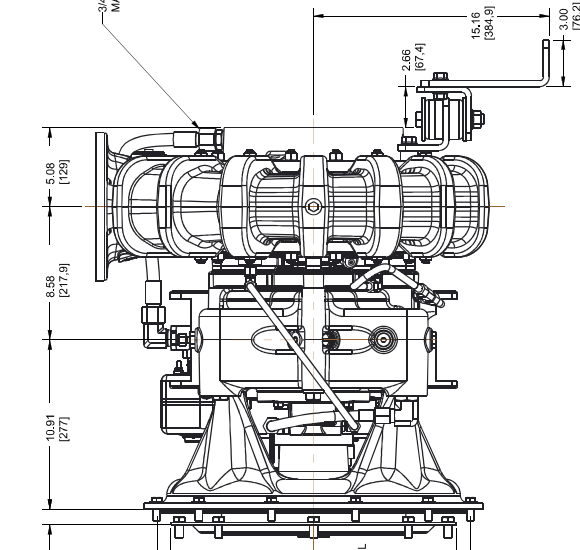
DARLEY 12VDC OR 24VDC BELT DRIVEN PRIMER (SPECIFY REQUIRED VOLTAGE)

OPTIONAL PUMP CASING POSITIONS DISCHARGE CENTERED TO SUCTION

REMOTE MOUNT PRIMER TANK AND CONTROL SWITCH



SCALE 1/8



APPROXIMATE WEIGHT 735 LBS [333KG]

|  |      |    |       |    |
|--|------|----|-------|----|
| REVISED  | DATE | BY | CHKD. | D. |
|  |      |    |       |    |
| <p>DESIGNED BY: <b>W. S. Darley &amp; Co.</b><br/>         DRAWN BY: <b>W. S. Darley &amp; Co.</b><br/>         DIMENSIONS: <b>INCHES</b><br/>         SPECIFY DIMENSIONAL TOLERANCES AND FINISHES<br/>         DATE: 03-20-1964<br/>         SCALE: 1/8</p> |      |    |       |    |
| <p>REMOVE SHARP EDGES<br/>         ALL DIMENSIONS ARE TO UNLESS OTHERWISE SPECIFIED<br/>         DO NOT SCALE PRINT</p>  |      |    |       |    |
| <p>APPROXIMATE WEIGHT 735 LBS [333KG]</p>  |      |    |       |    |
| <p><b>DZD0030</b></p>  |      |    |       |    |