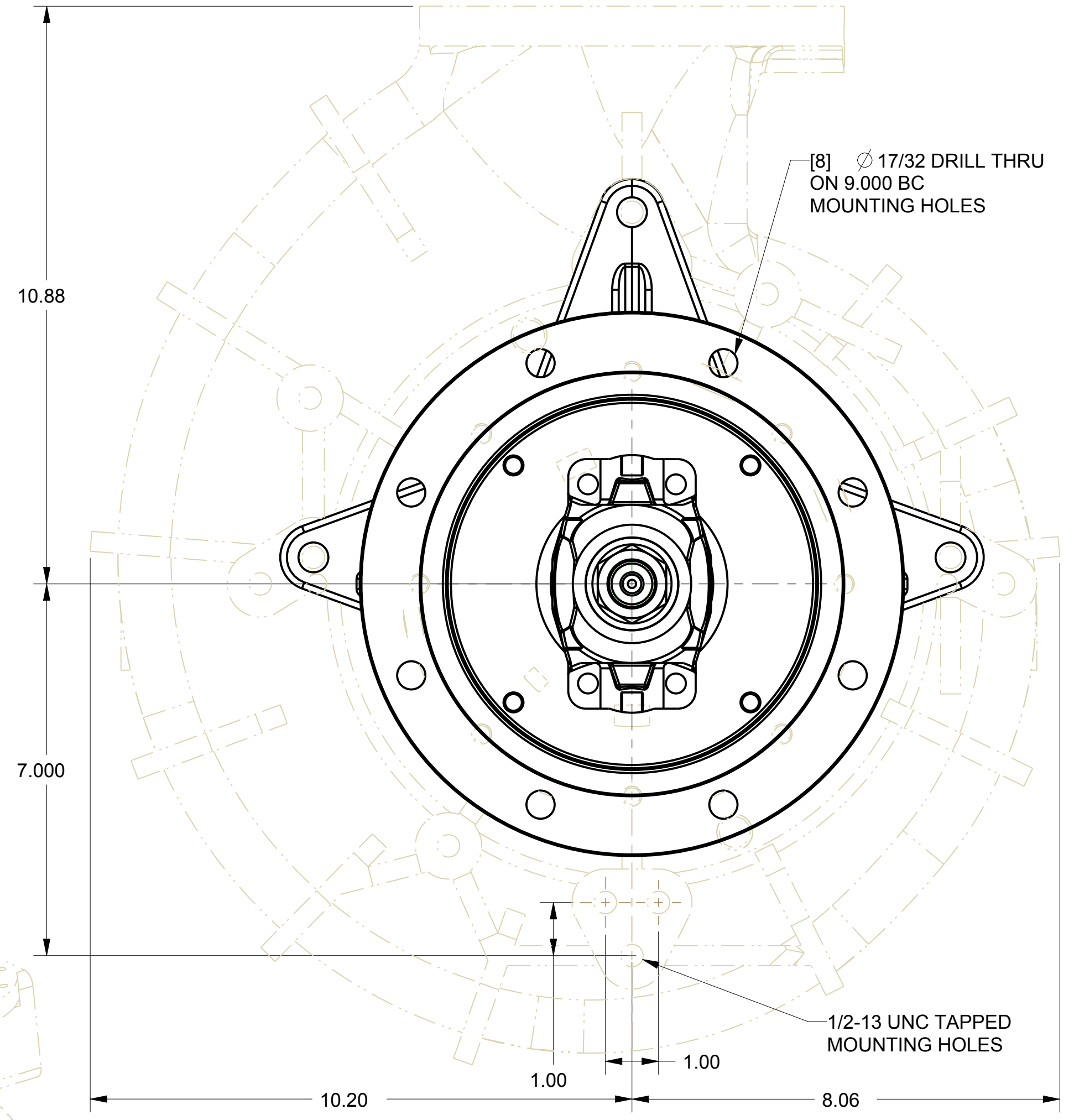
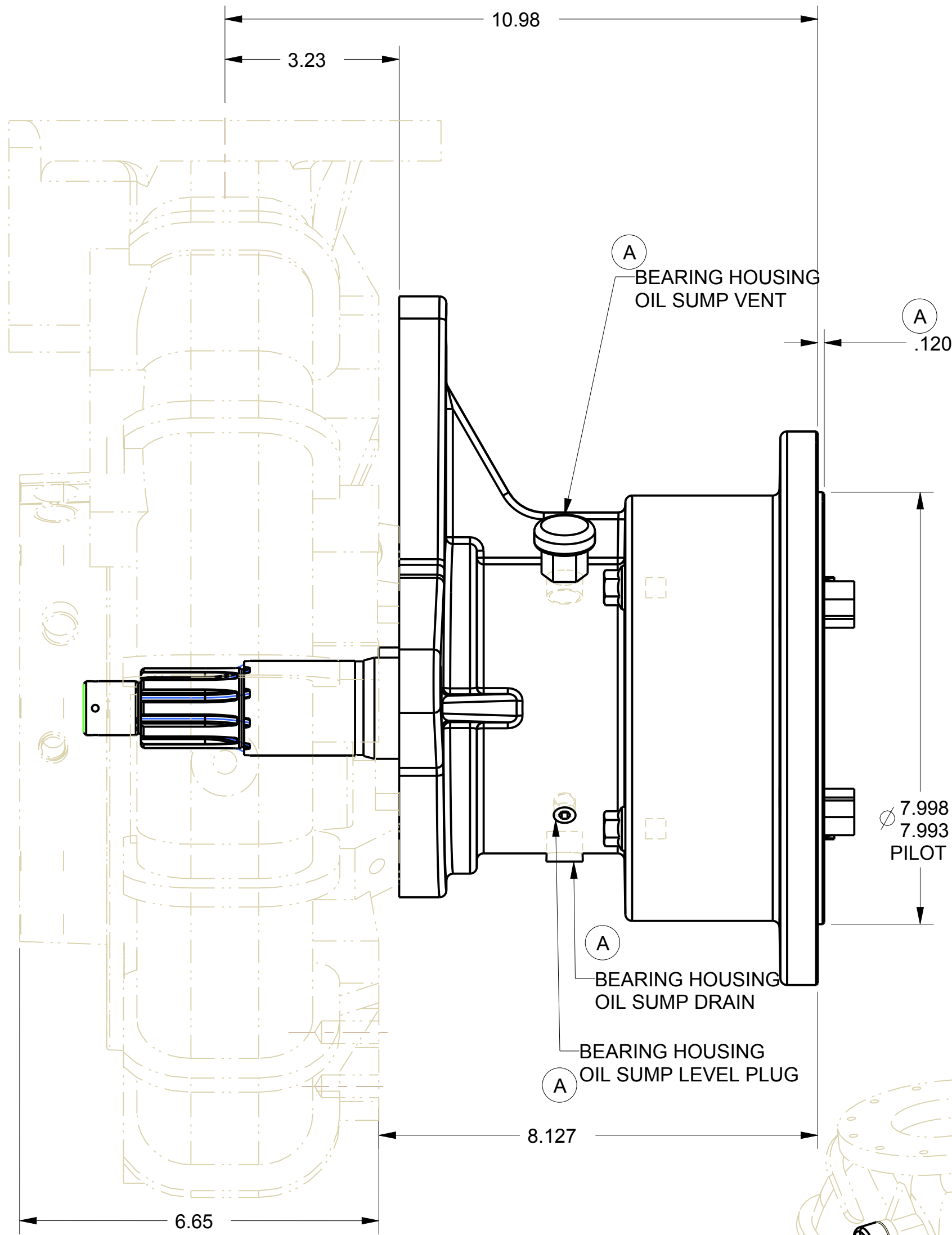
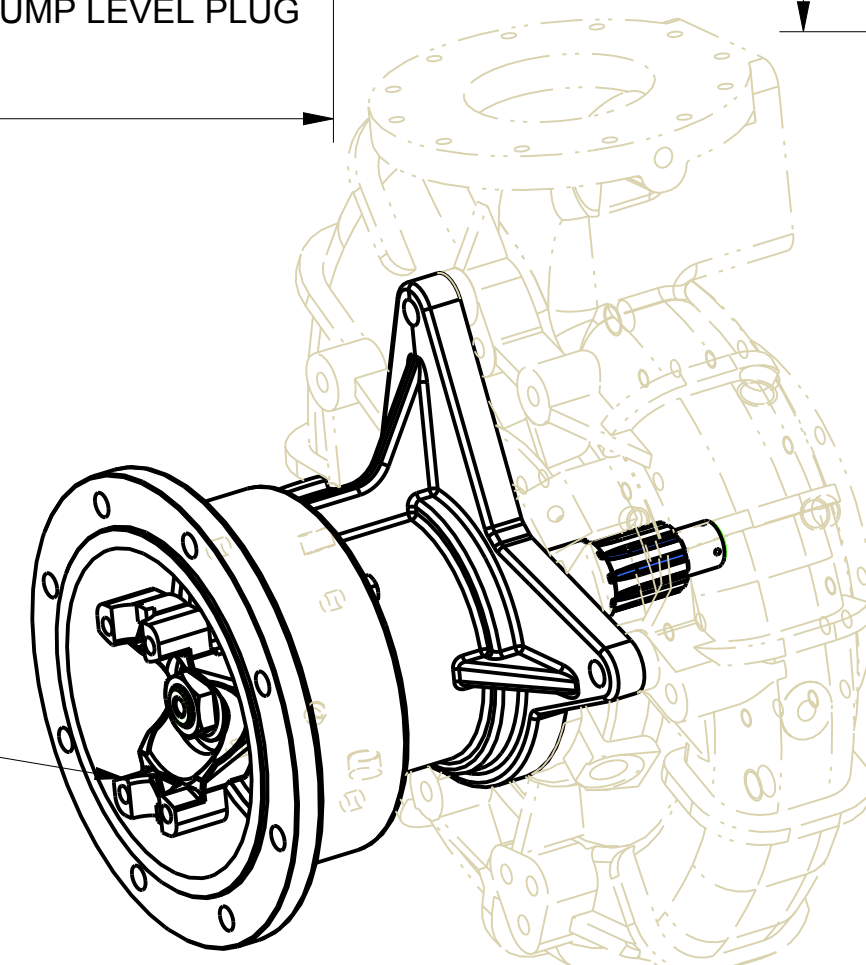


REVISIONS				
LTR	DESCRIPTION	DATE	CHG NO.	APPR'D
A	.120 WAS .190 ADDED NOTES IN RELATION TO PUMP BEARING HOUSING REDESIGN	12/27/12	8742	RJG



SPICER 1410 SERIES
END YOKE



SCALE 1/4

REMOVE SHARP EDGES		INCH (MILLIMETER)	THIRD ANGLE PROJECTION	OLD PART NO.	TOLERANCE EXCEPT AS NOTED .00 ±.03 .000 ±.010 ANGLES ±1°	MODEL NAME TF00601	MDL CREATED 30-JUNE-2010	SHEET 1/1	C
MATERIAL DESCRIPTION:		MATERIAL NO.	PATTERN NO.	DWG-PSD/NO CLUTCH		DATE 02-Jul-10		SCALE 1/2	
THIS DESIGN IS THE PROPERTY OF W.S. DARLEY AND CO. - UNAUTHORIZED REPRODUCTION IS PROHIBITED		ALL DIMENSIONS IN INCHES UNLESS NOTED		DO NOT SCALE PRINT		DATE 02-Jul-10		SCALE 1/2	
								DPD1401	

W.S. Darley & Co.
ITASCA, IL - CHIPPEWA FALLS, WI