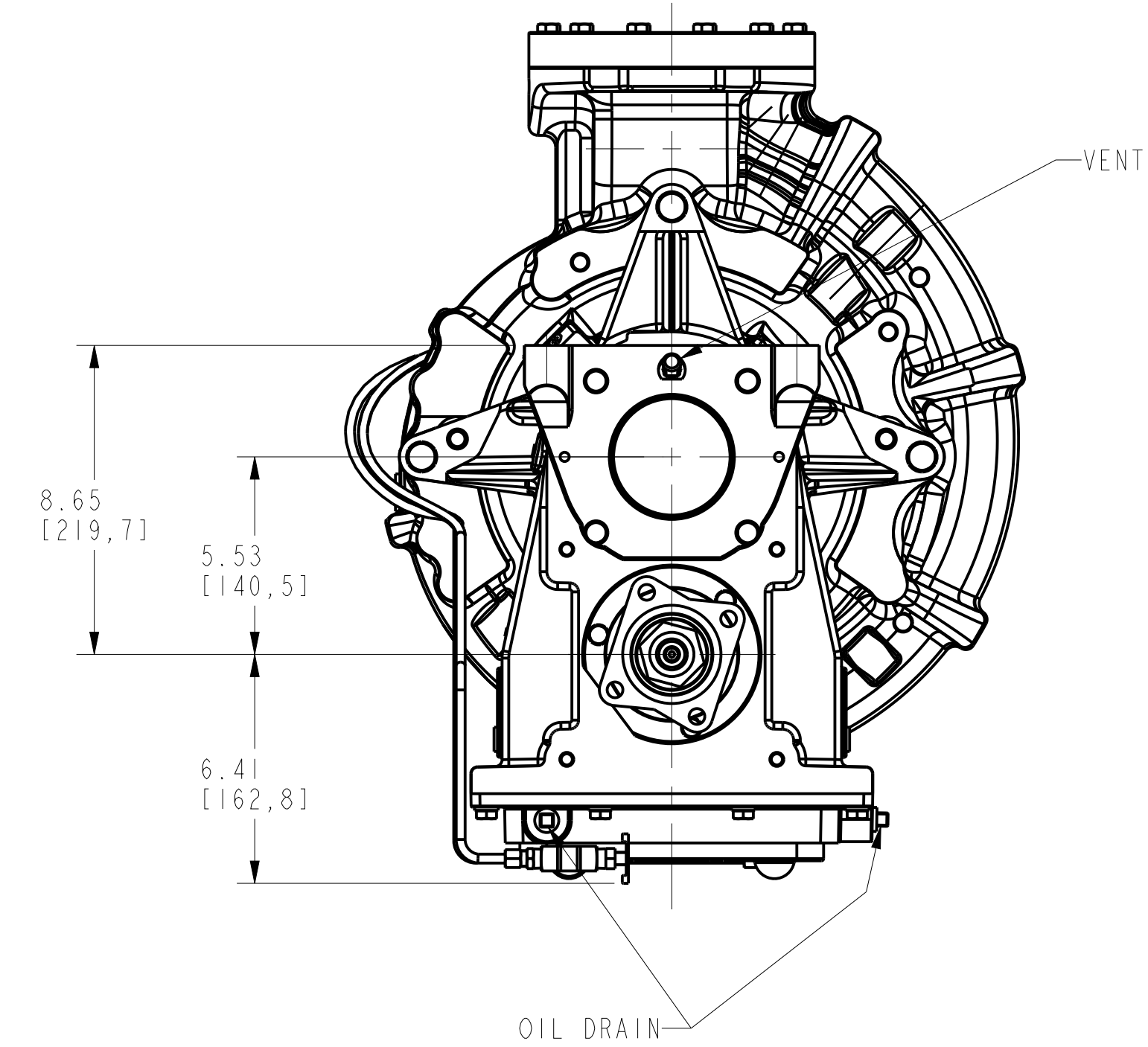
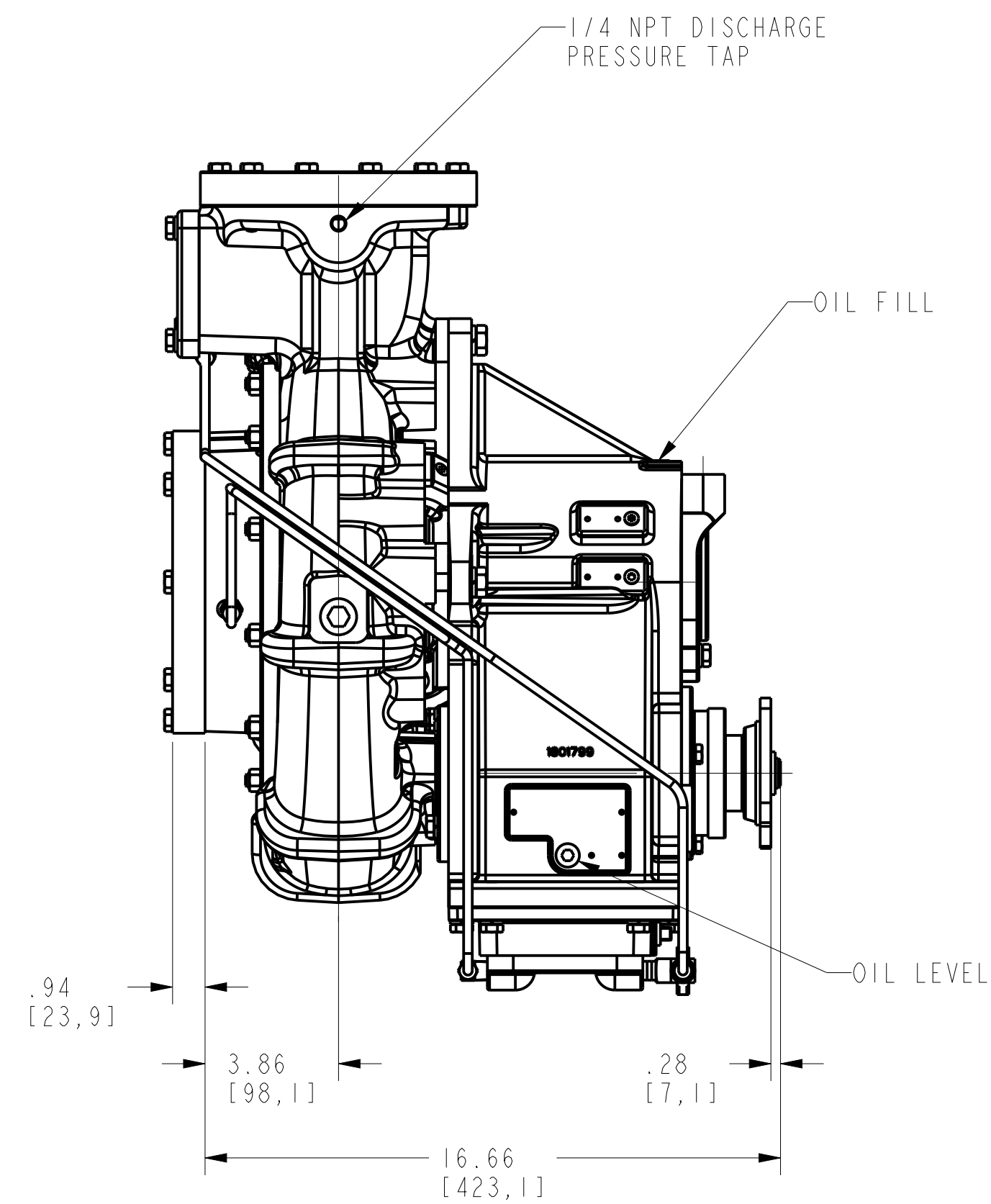
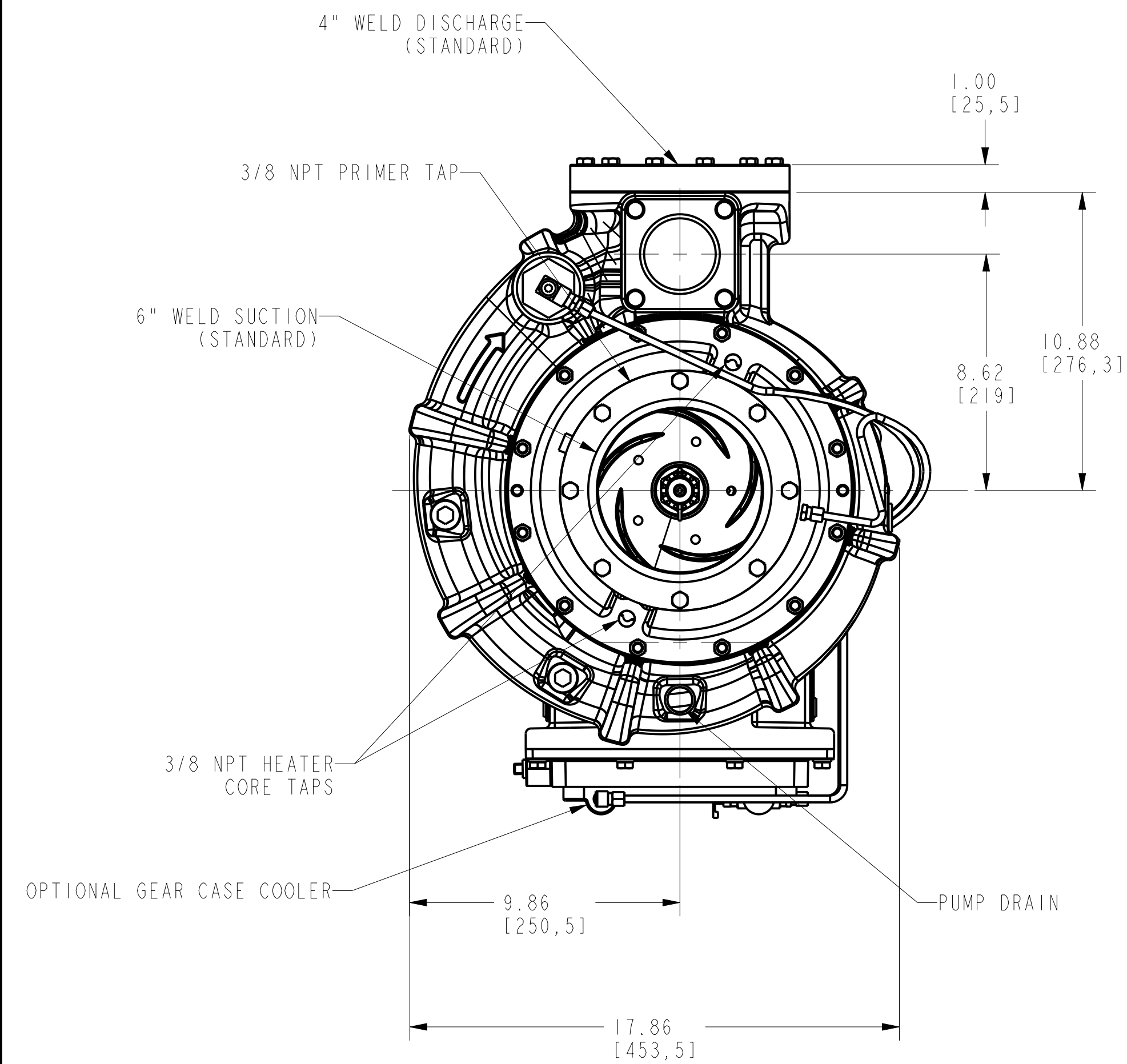
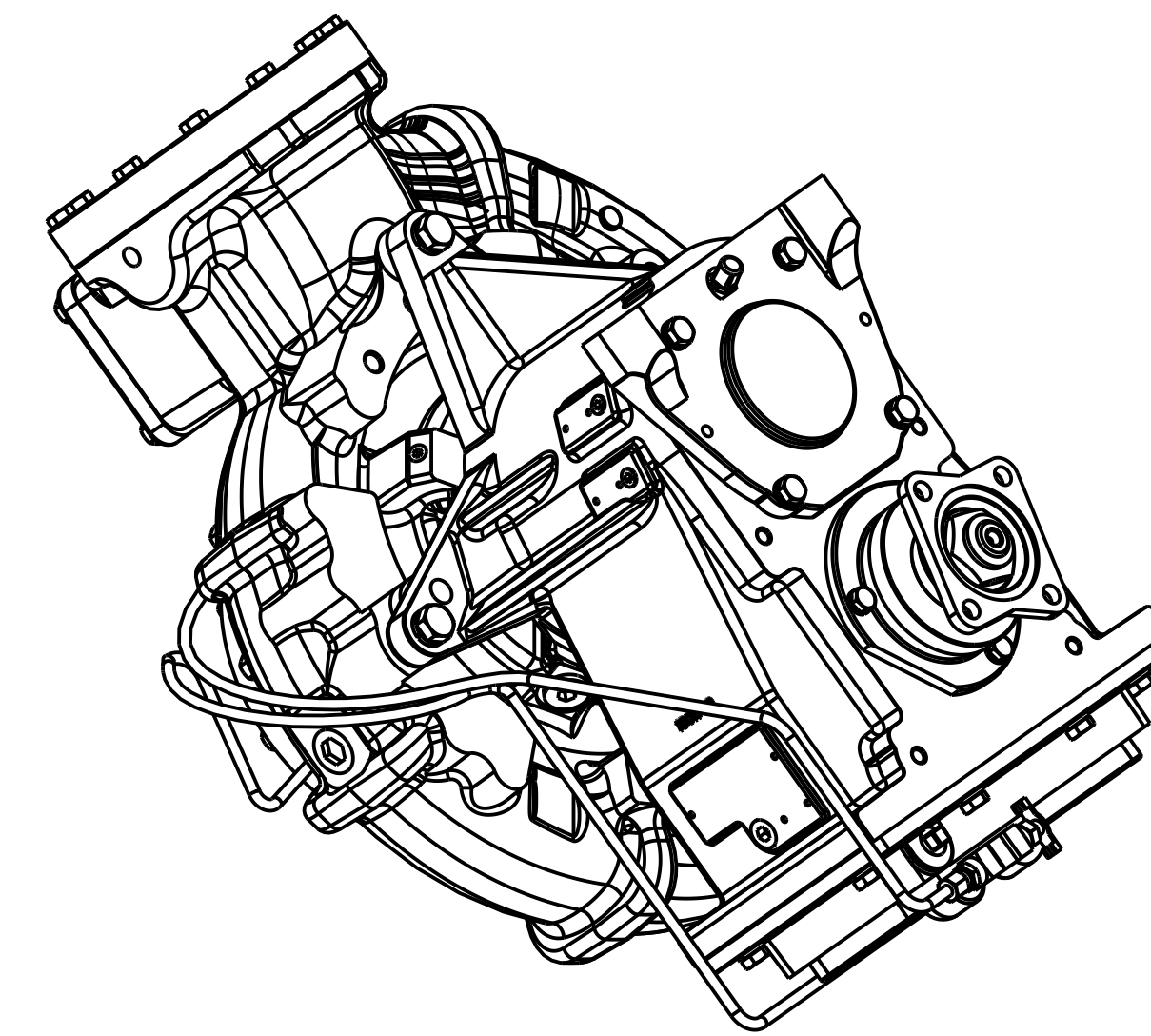
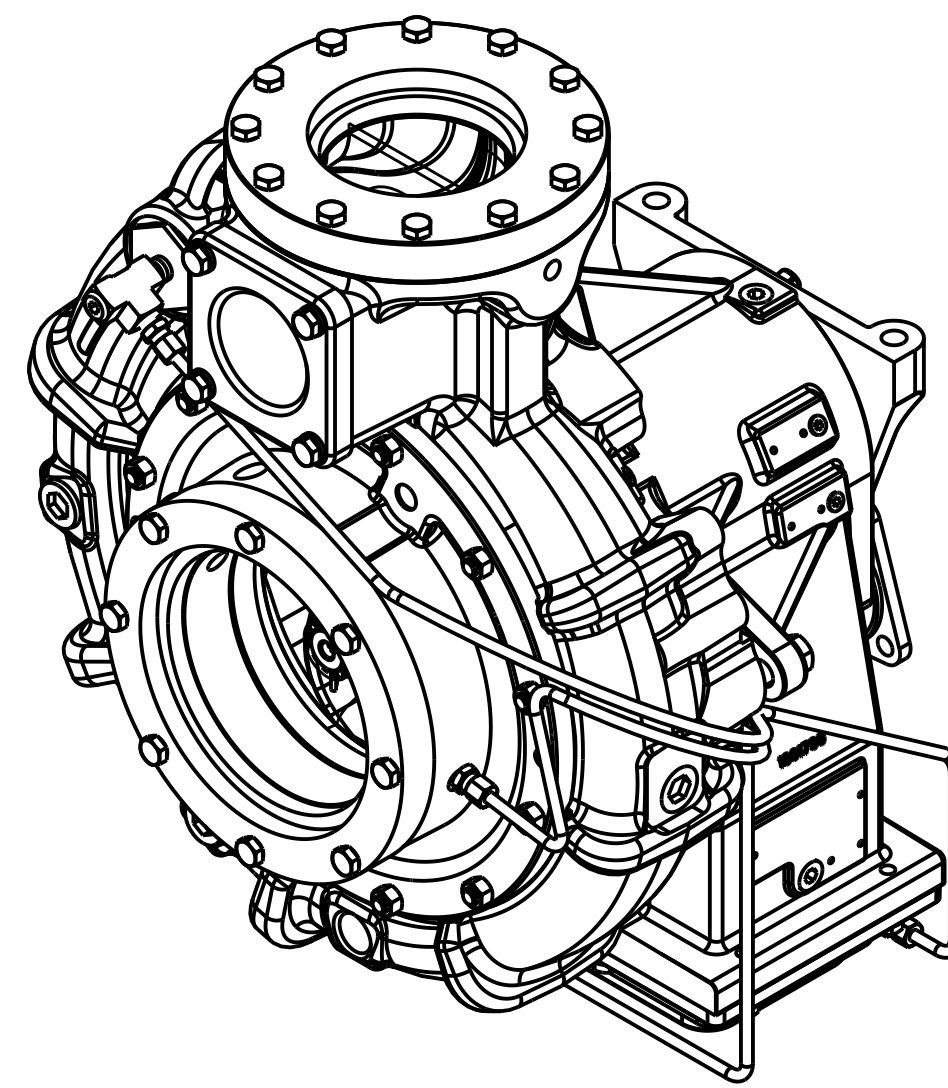
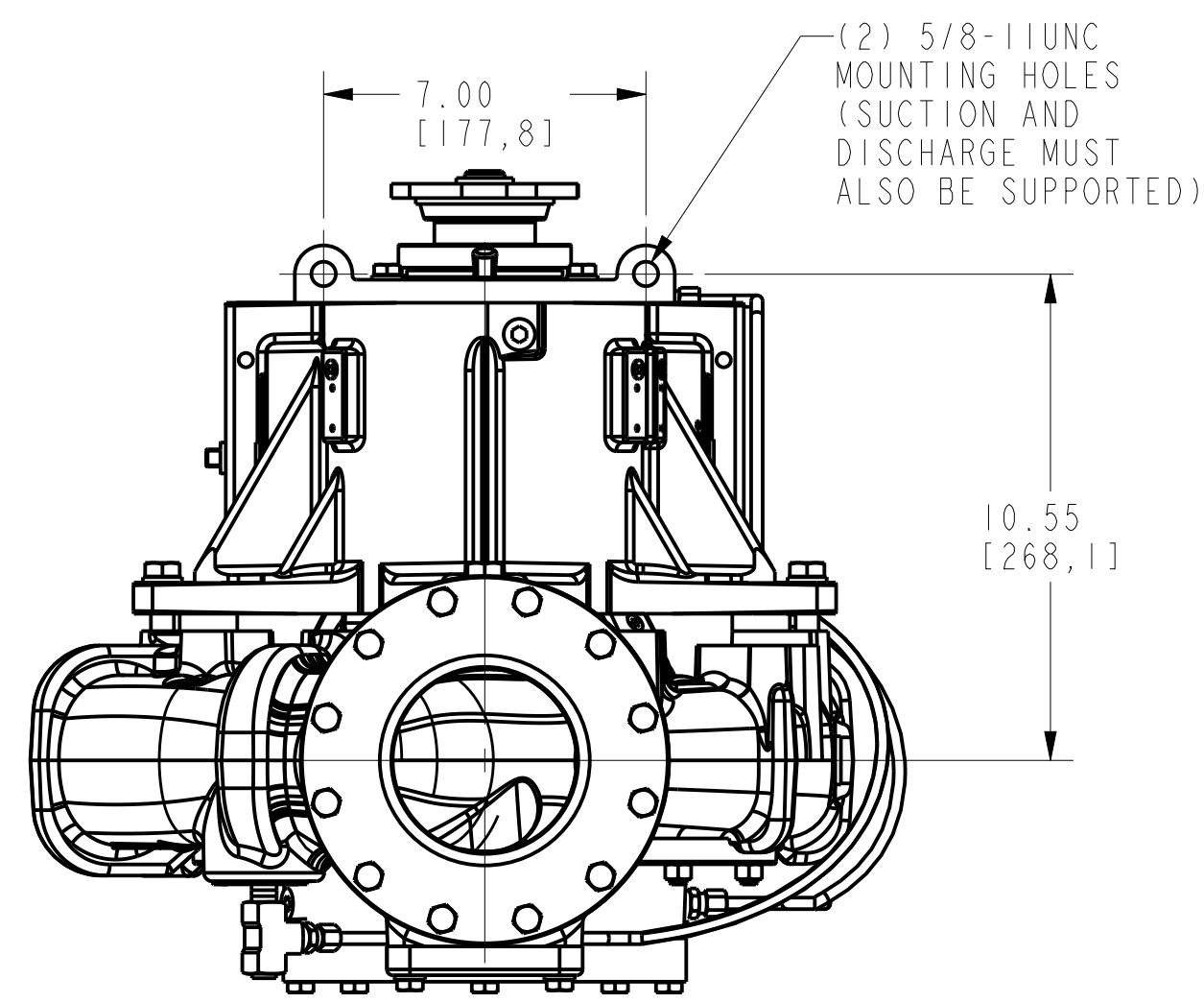


REVISIONS				
LTR	DESCRIPTION	DATE	CHG NO.	APPR'D



WEIGHT:  
355 LBS  
[161 KG]

REMOVE SHARP EDGES

INCH (MILLIMETER)

OLD PART NO.

TOLERANCE EXCEPT AS NOTED  
 .00 ± .03  
 .000 ± .010  
 ANGLES ± 1°

MATERIAL DESCRIPTION:  
 THIS DESIGN IS THE PROPERTY OF W.S. DARLEY AND CO. UNAUTHORIZED REPRODUCTION IS PROHIBITED.

MATERIAL NO.  
 PATTERN NO.  
 DR'N TED  
 CHWD MBE  
 TRCD

MODEL NAME: DPD1116  
 MDL CREATED: 12MAY2014  
 SHEET: 1/1  
 D

W.S. Darley & Co.  
 CHIPPEWA FALLS, WI - MELROSE PARK, IL

DWG - PSP, 2 GR LOCK ON, NO TACH

DATE 13-May-14  
 SCALE 1/4

DPD1116