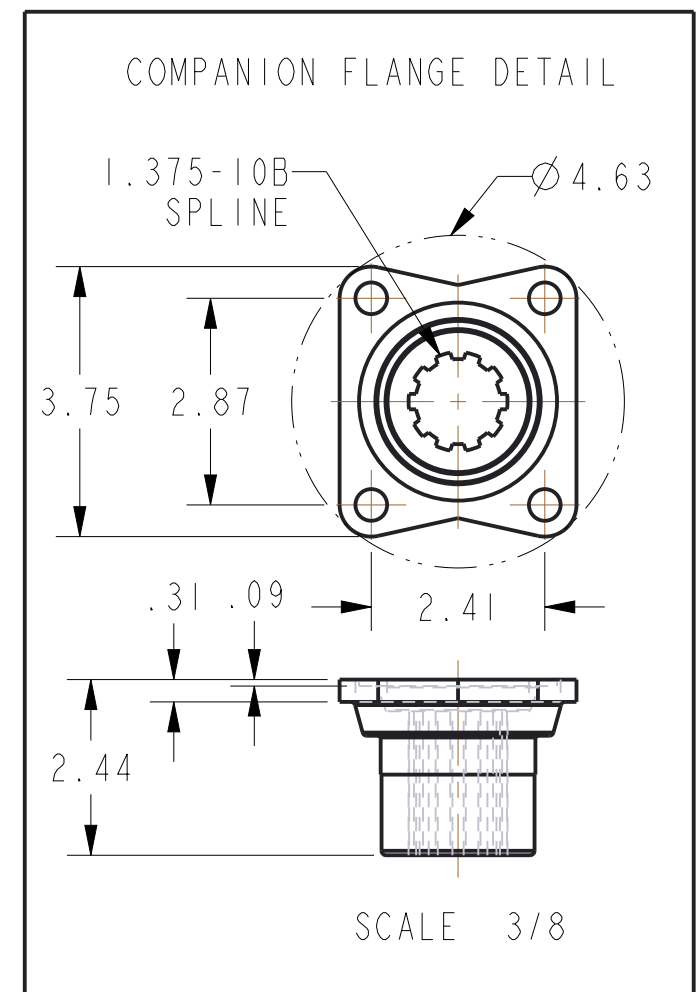
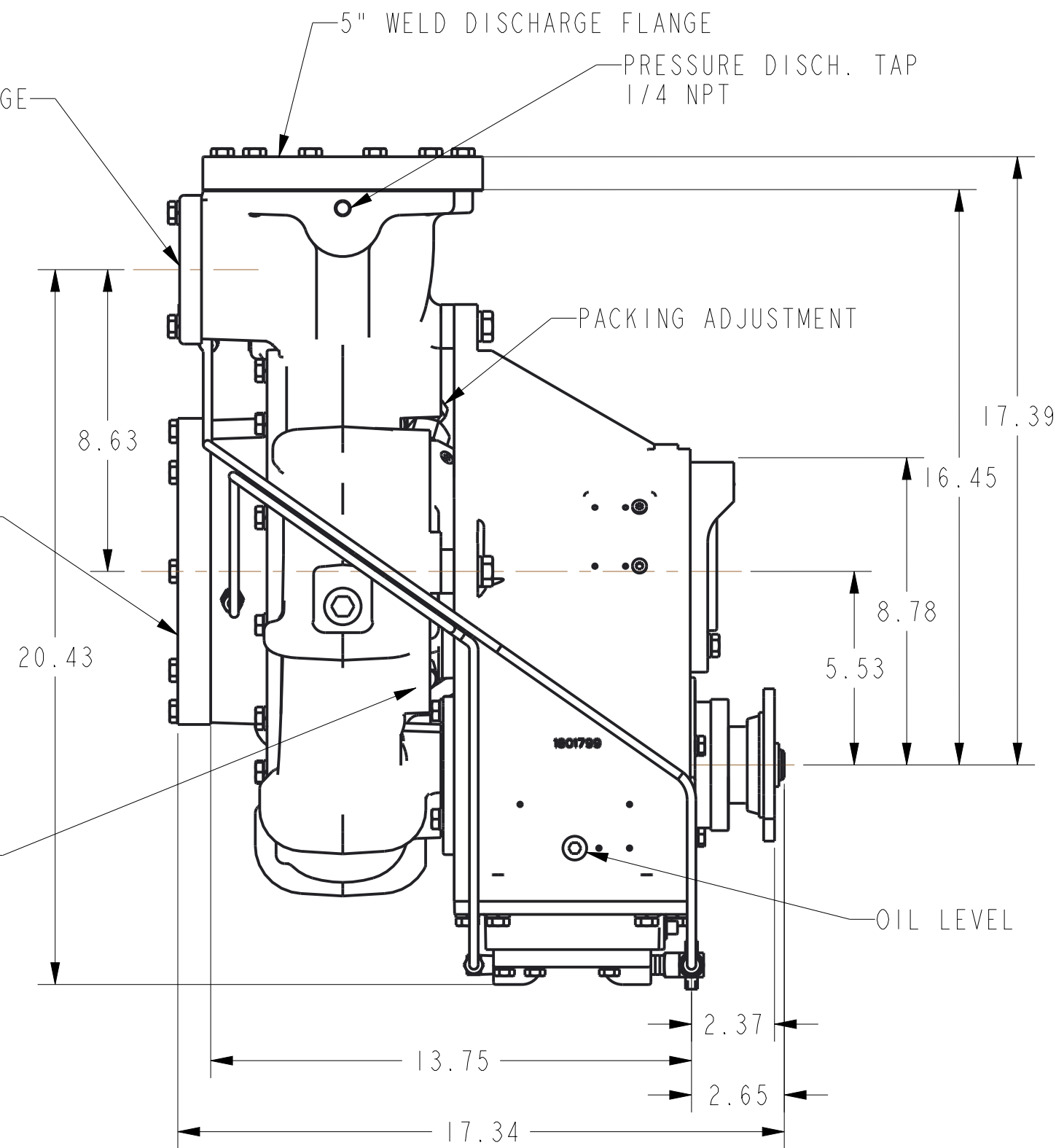
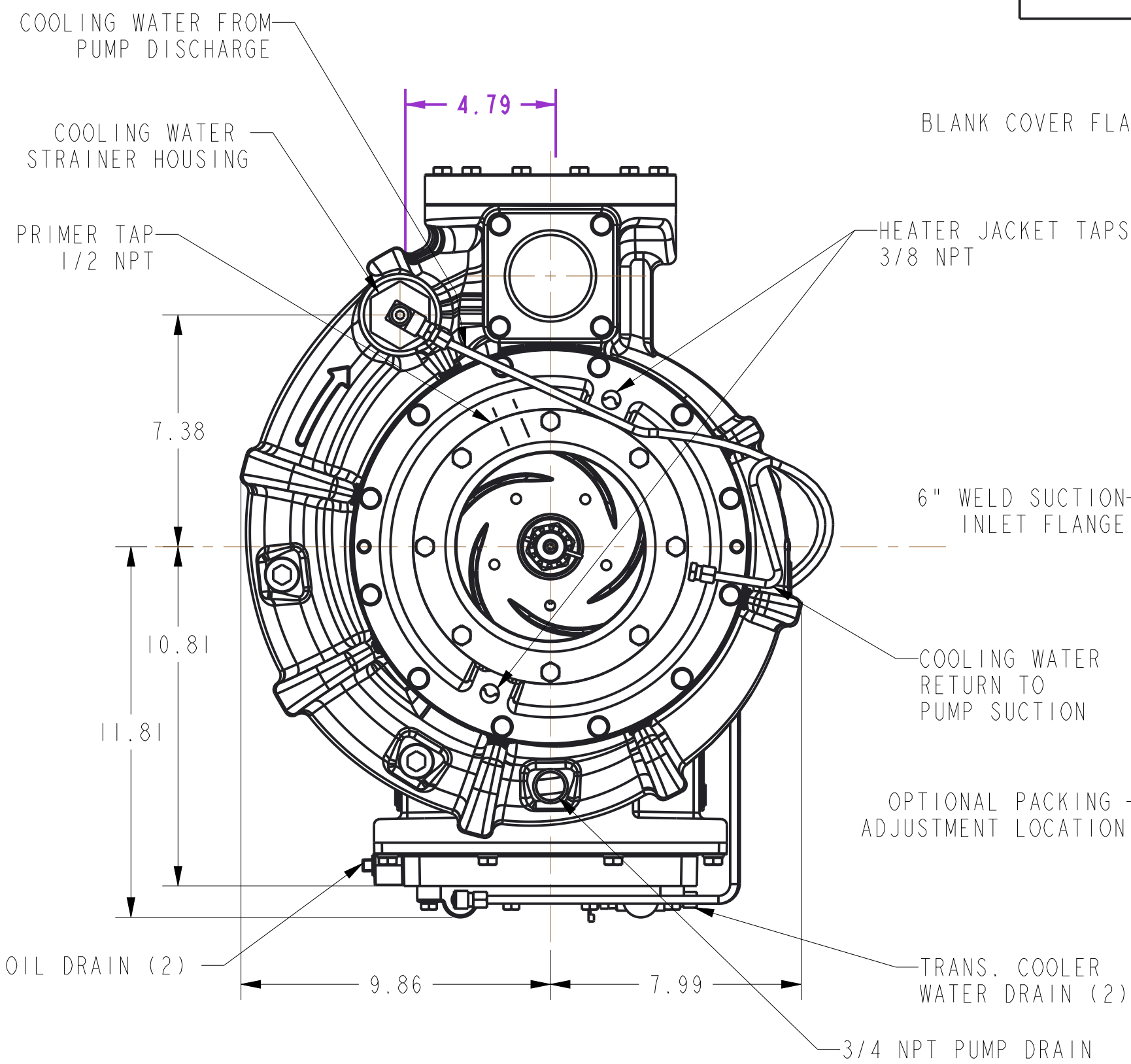
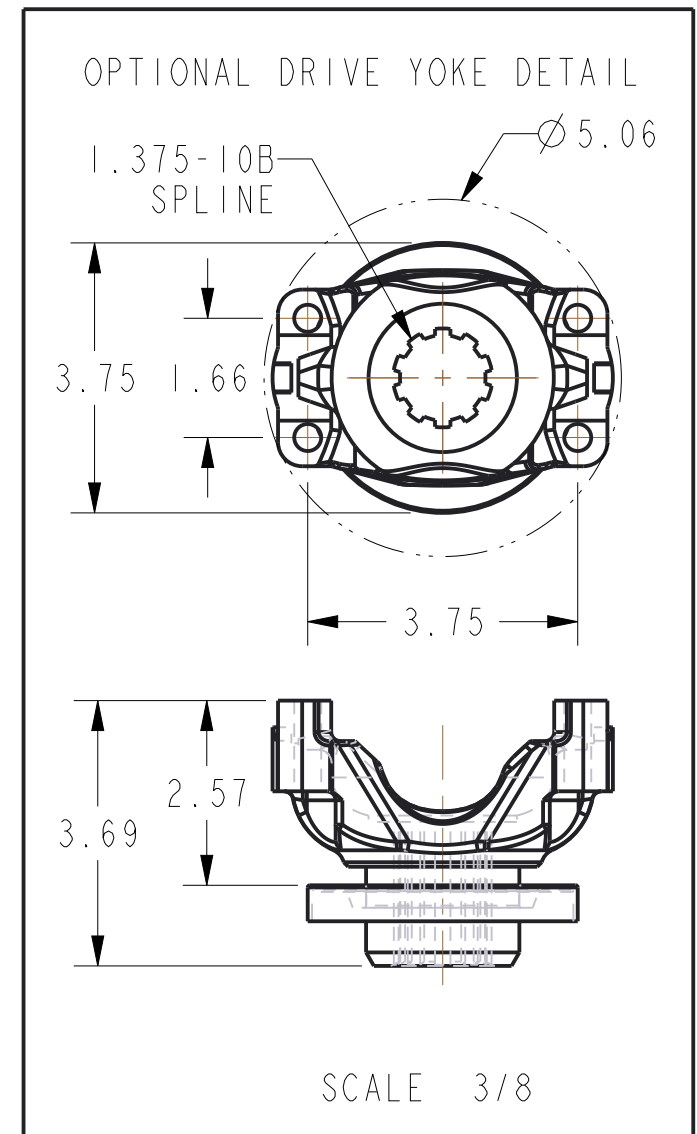
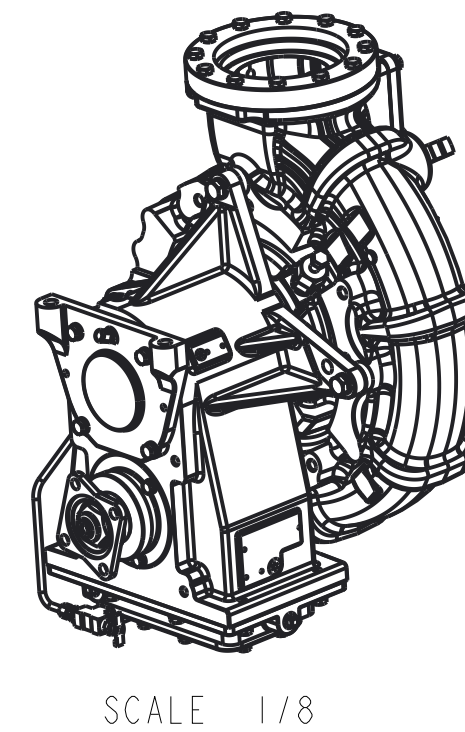
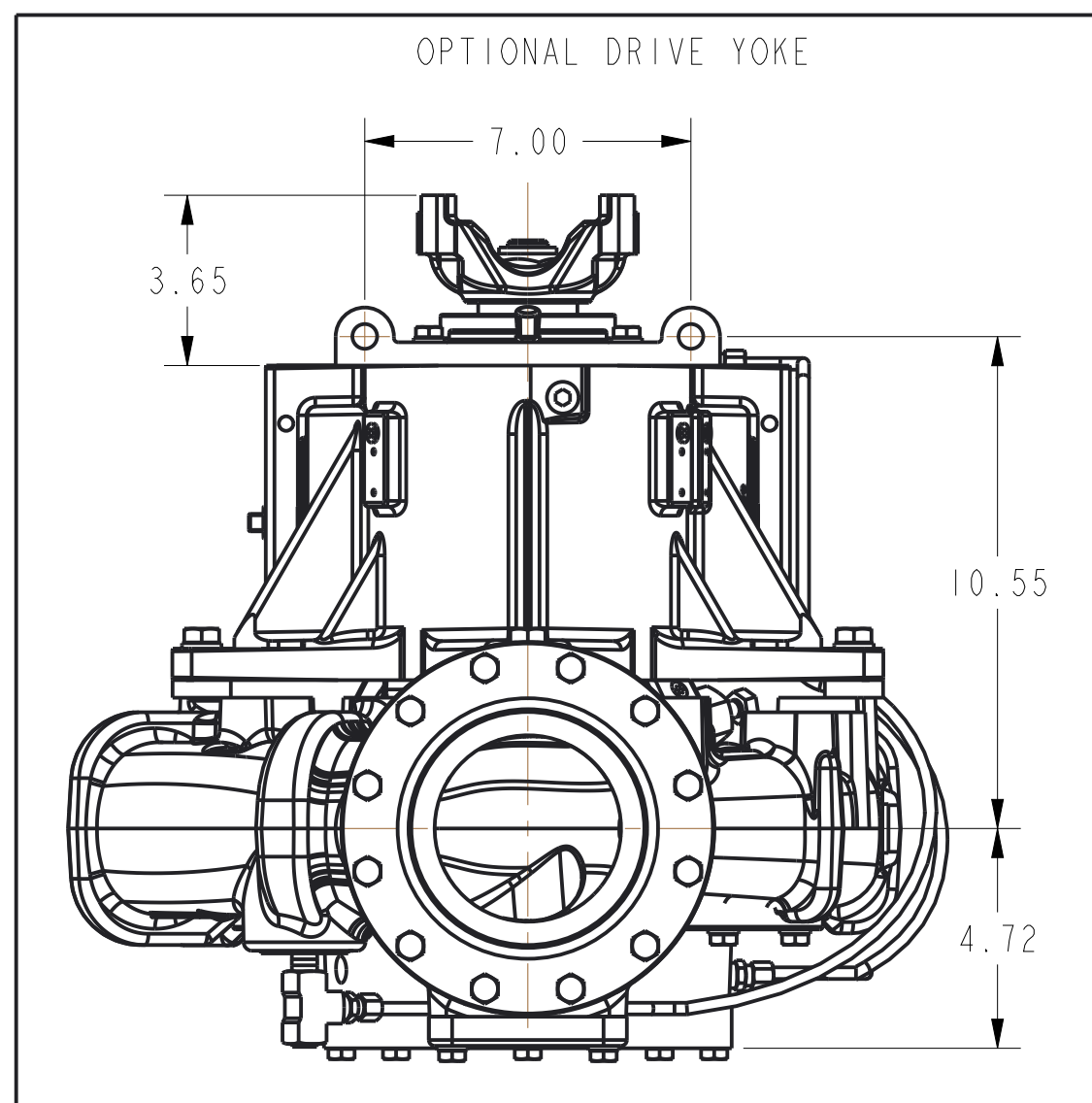
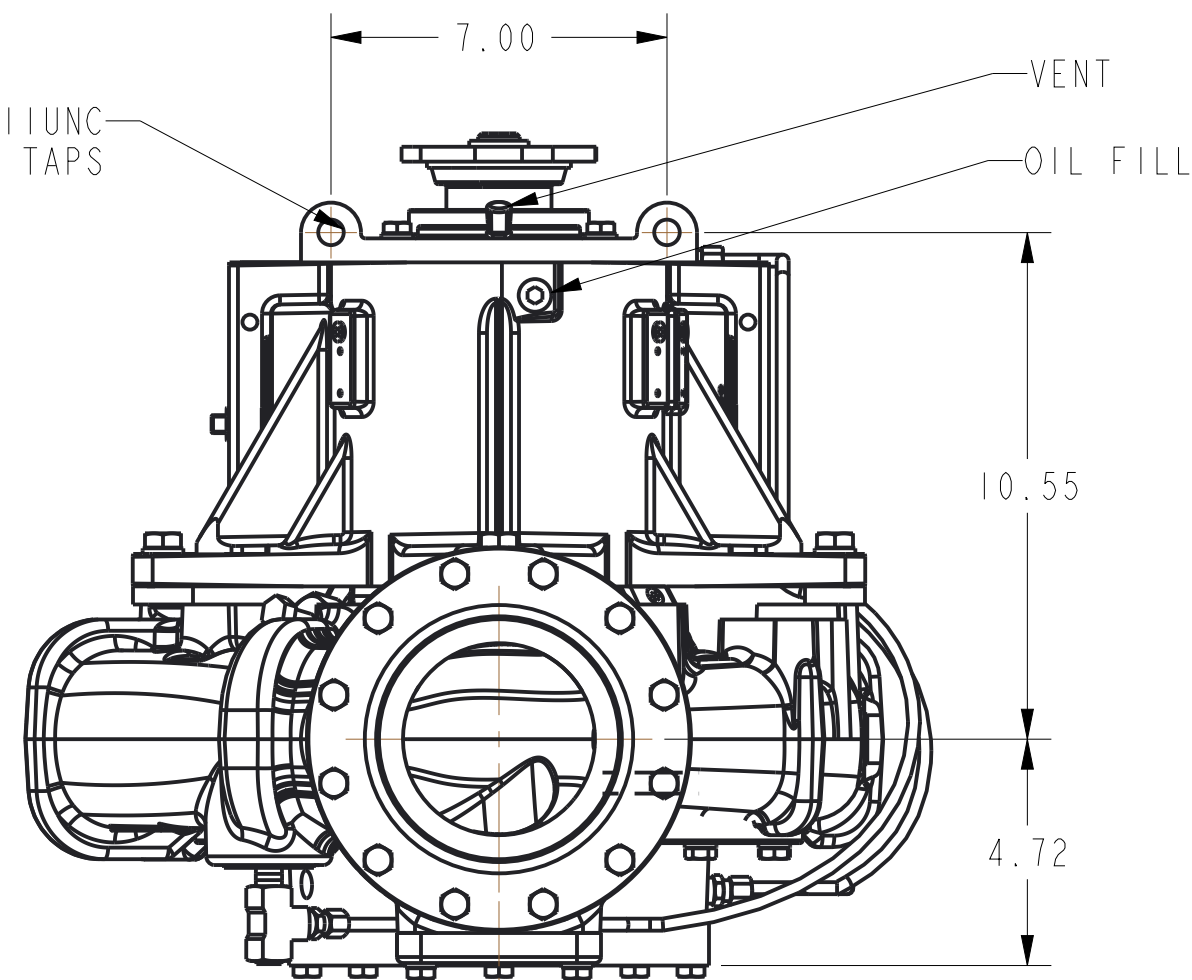


REVISIONS				
LTR	DESCRIPTION	DATE	CHG NO.	APPR'D



NOTE: SHOWN WITH OPTIONAL COOLER.
COOLER STANDARD ON 1500 GPM RATED PUMP.

OPTIONAL 5" AND 6" NPT FLANGES AVAILABLE

REMOVE SHARP EDGES

INCH
[MILLIMETER]



OLD PART NO.

TOLERANCE
EXCEPT
AS NOTED
.00 ± .03
.000 ± .010
ANGLES ± 1°

W.S. Darley & Co.
ITASCA, IL - CHIPPEWA FALLS, WI

MATERIAL DESCRIPTION:

MATERIAL NO.

PATTERN NO.

DWG - PSP, 2GR LOCK ON, NO TACH
DIMENSIONAL

THIS DESIGN IS THE PROPERTY OF
W.S. DARLEY AND CO. - UNAUTHORIZED
REPRODUCTION IS PROHIBITED

ALL DIMENSIONS IN
INCHES UNLESS NOTED

DO NOT SCALE PRINT

DR'N AAN
CHKD TED
TRCD

DATE 21-Jun-05
SCALE 1/4

DPD1104

MODEL NAME	MDL CREATED	SHEET
DPD1104	19SEPT07	1/1 C