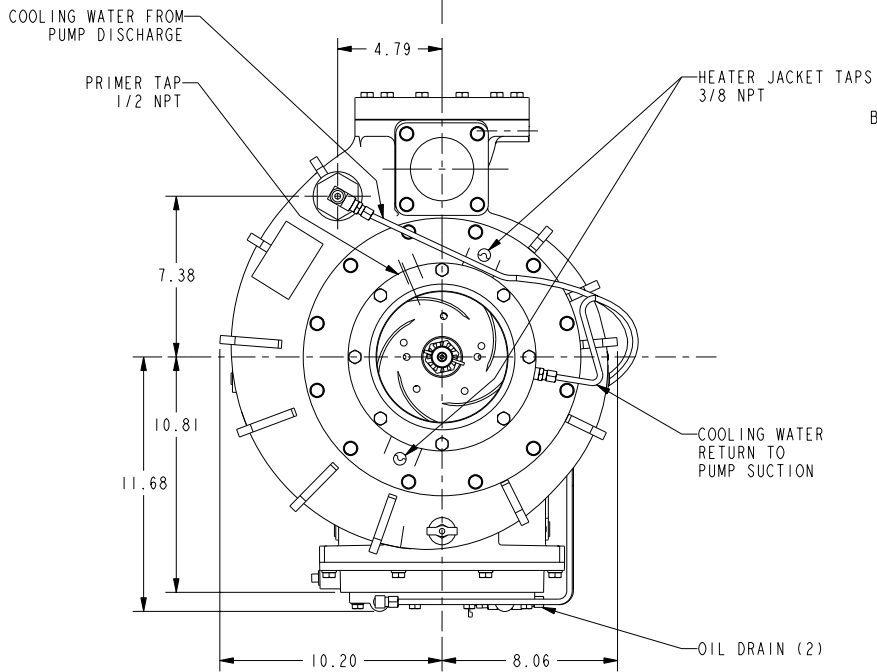
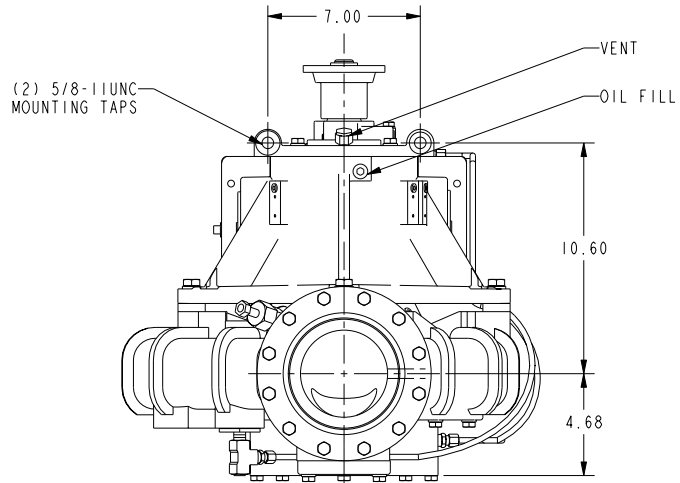
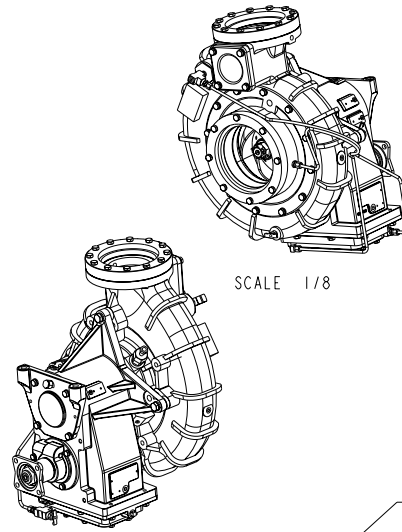


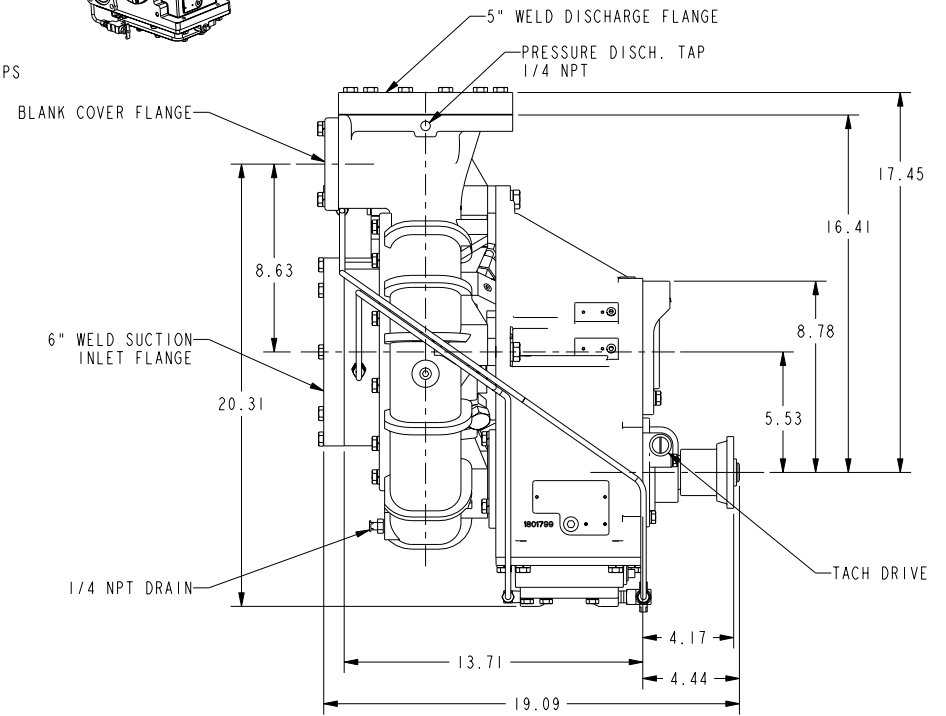
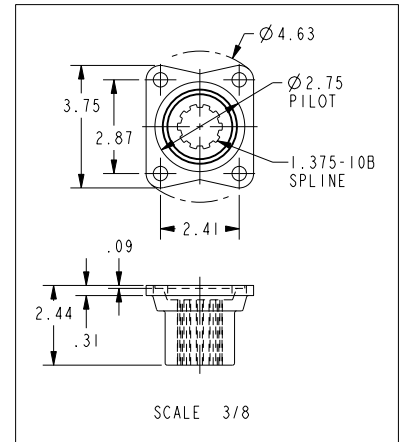
NAME:HAL OBJECT:DPD1102 DATE:05-Jul-05 09:45:38



NOTE: SHOWN WITH OPTIONAL COOLER.
COOLER STANDARD ON 1500 GPM RATED PUMP.
OPTIONAL 5" AND 6" NPT FLANGES AVAILABLE



REVISIONS			
LTR	DESCRIPTION	DATE	CHG. NO.



REMOVE SHARP EDGES		INCH (MILLIMETER)	THIRD ANGLE PROJECTION	OLD PART NO.	TOLERANCE EXCEPT AS NOTED 0.00 ± 0.03 0.000 ± 0.010 ANGLES ± 1°	DATE 21-Jun-05	SCALE 1/4	DRN HAL CHKD DMD TRCD
MATERIAL DESCRIPTION:		MATERIAL NO.	PATTERN NO.	DWG - PSP 2 GEAR, COMP, LOCK-ON DIMENSIONAL		DPD1102		
THIS DESIGN IS THE PROPERTY OF W.S. DARLEY AND CO. - UNAUTHORIZED REPRODUCTION IS PROHIBITED		ALL DIMENSIONS IN INCHES UNLESS NOTED		DO NOT SCALE PRINT		DATE 21-Jun-05		

MODEL NAME	MOI CREATED	SHEET
DPD1102	16MAY05	1/1

W.S. Darley & Co.
CHIPPENAW FALLS, WI - MELROSE PARK, IL