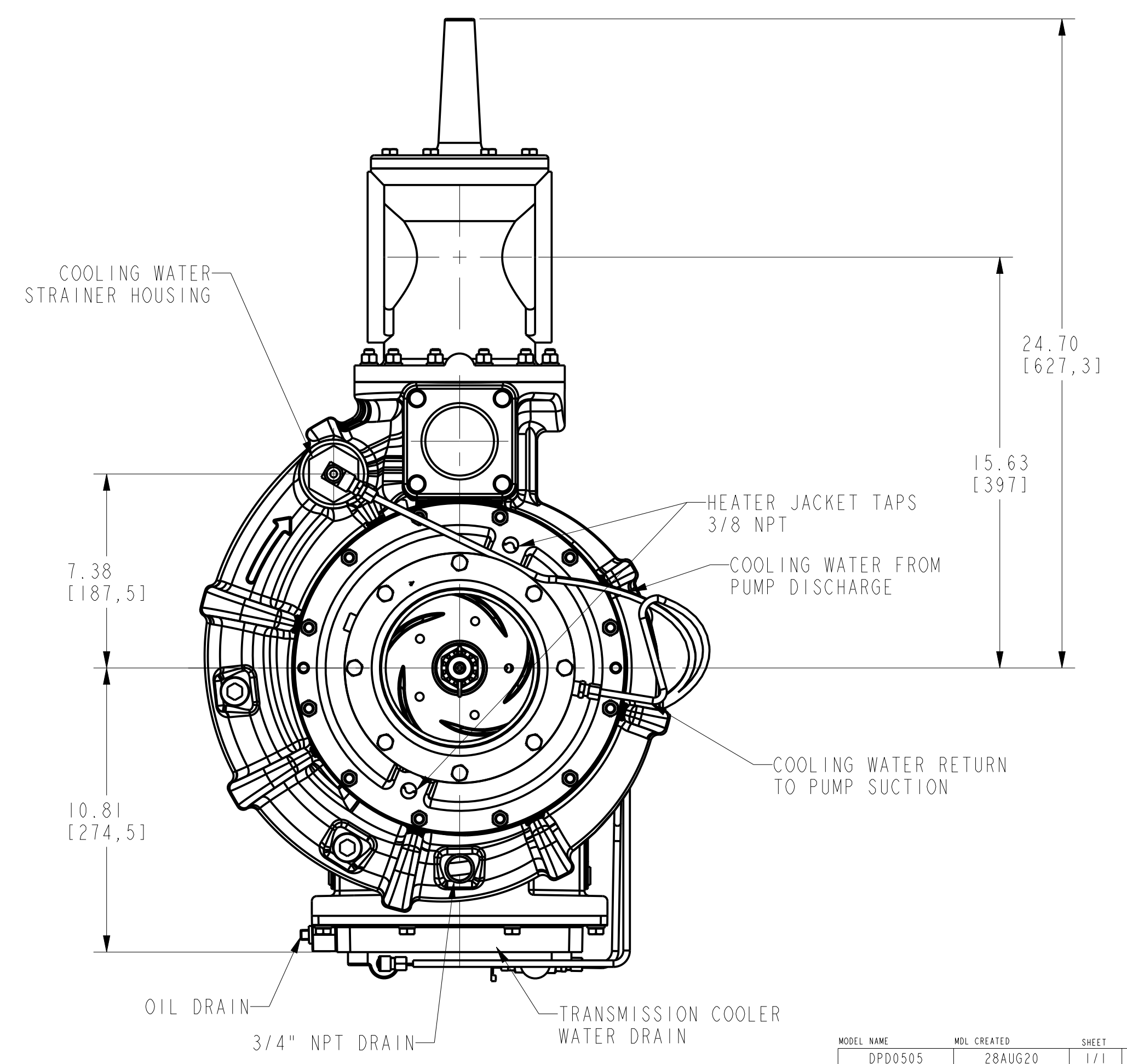
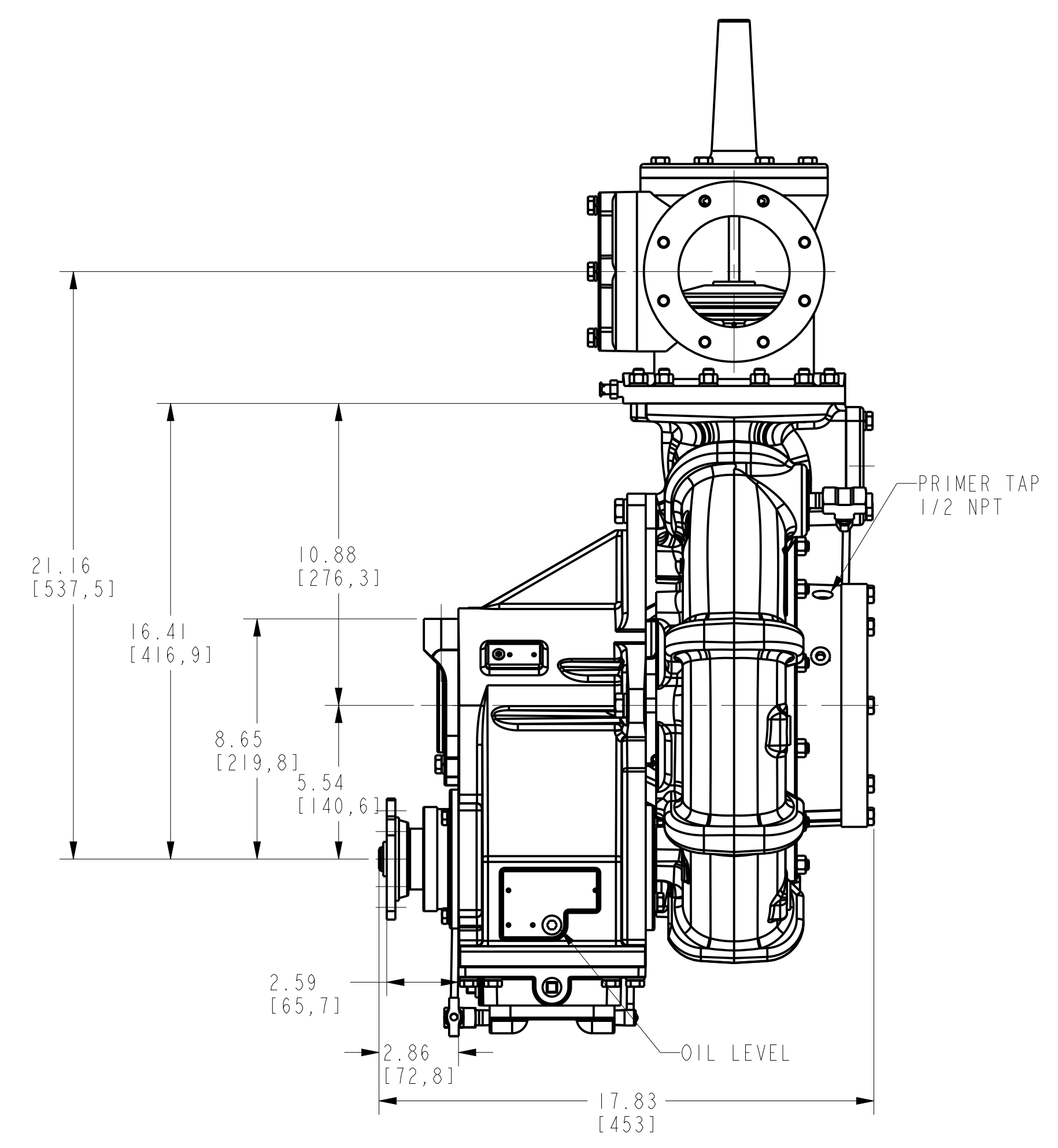
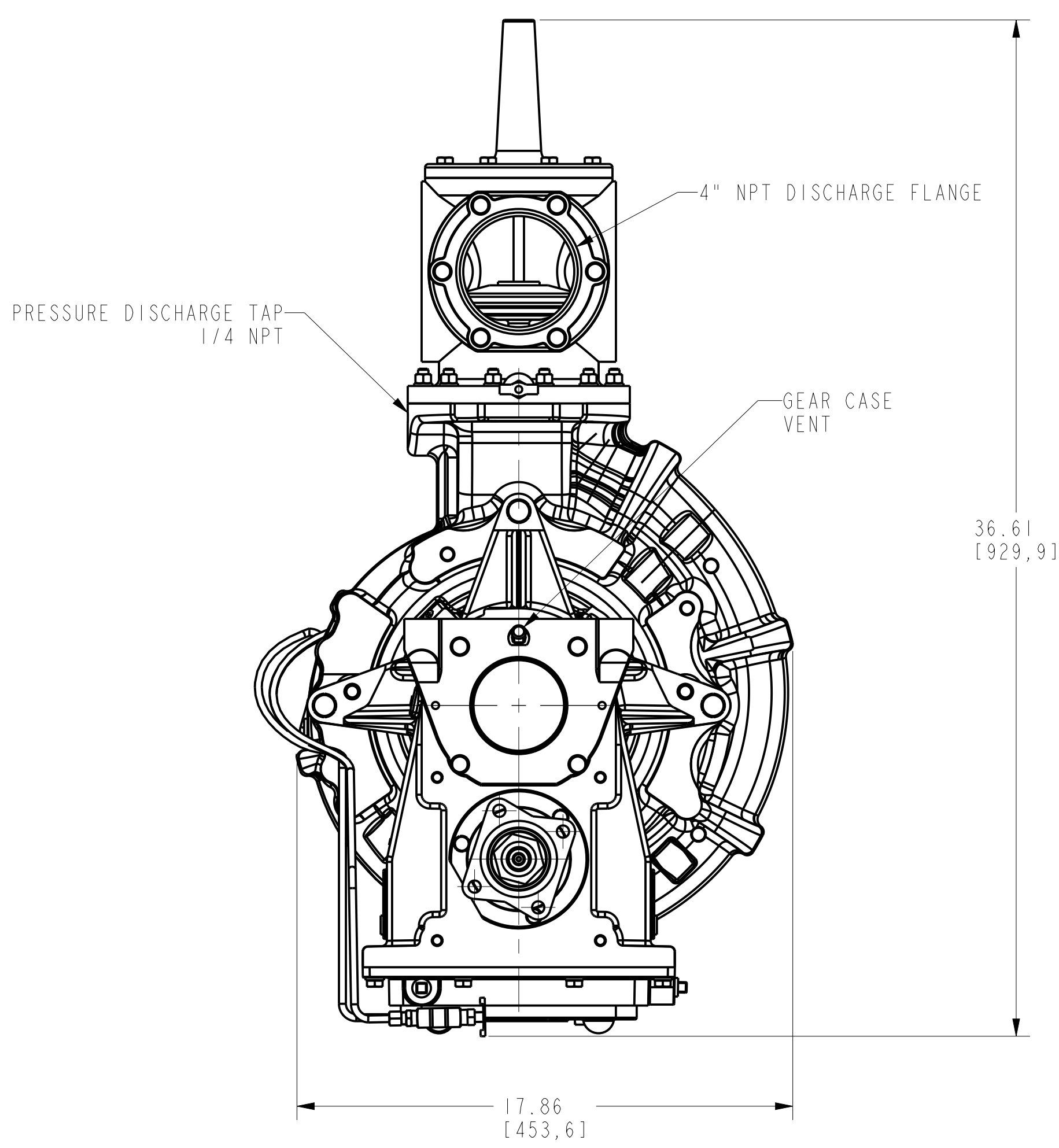
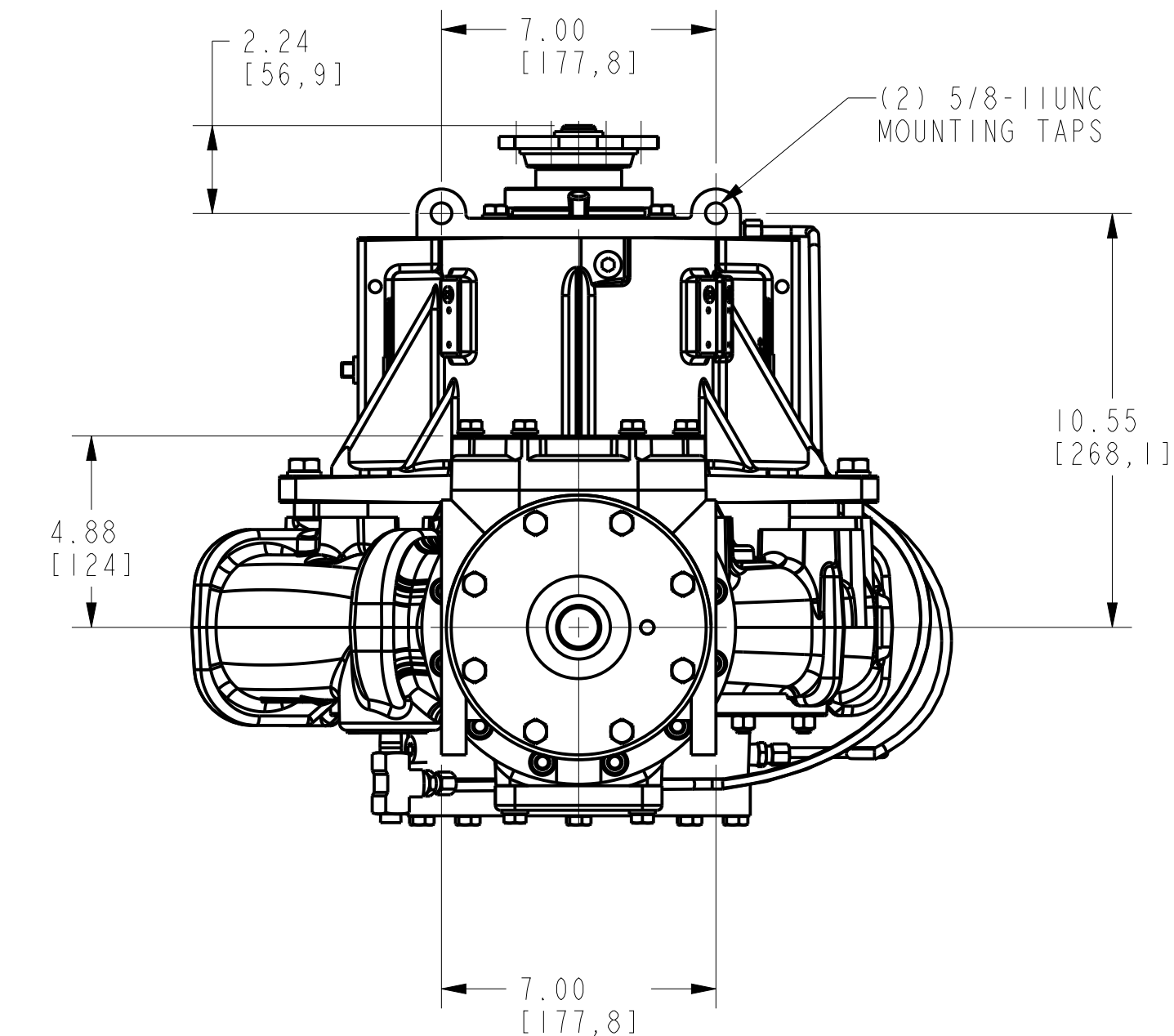
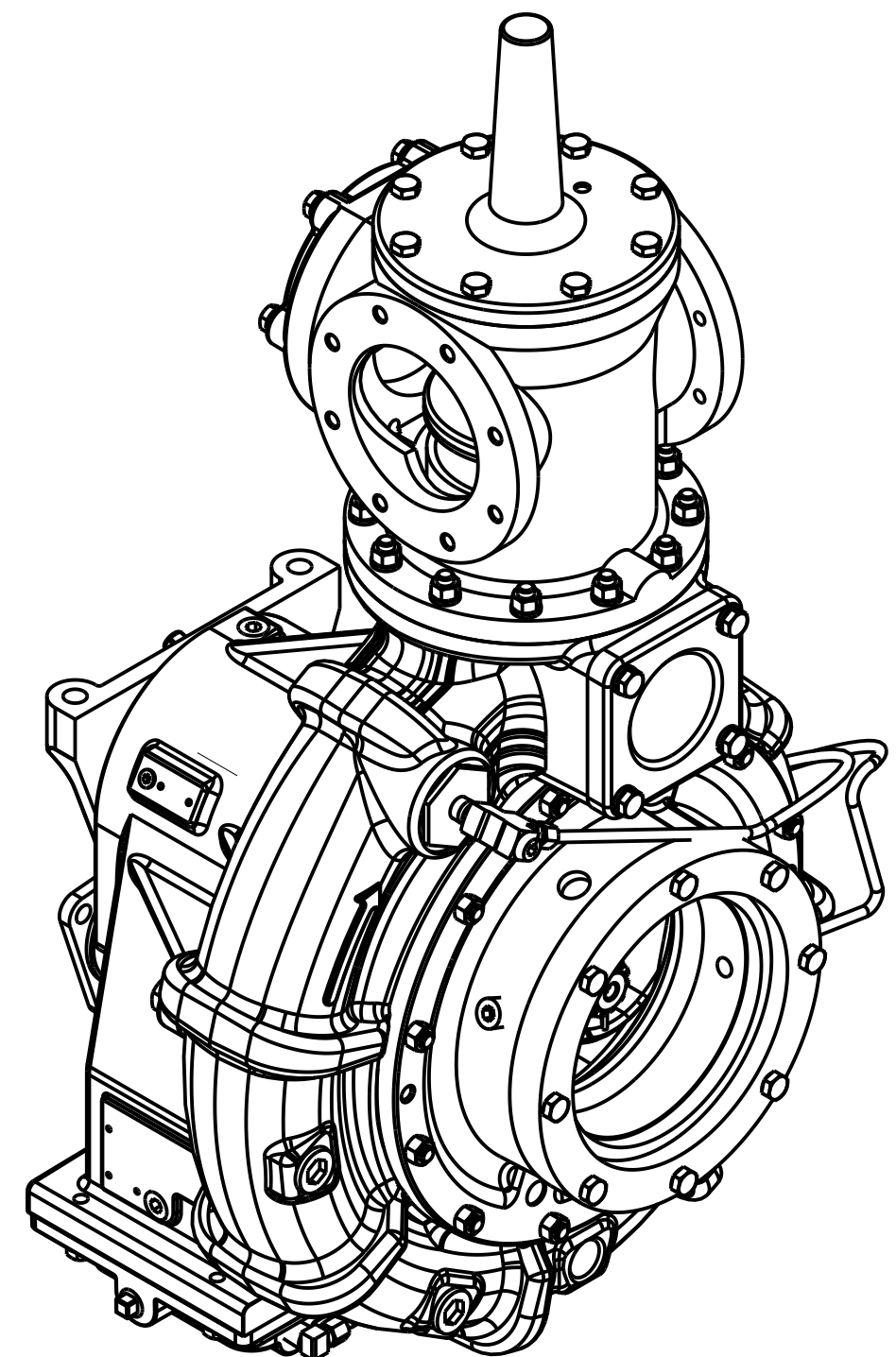


REVISIONS				
LTR	DESCRIPTION	DATE	CHG NO.	APPR'D



REMOVE SHARP EDGES	INCH (MILLIMETER)	OLD PART NO.	TOLERANCE EXCEPT AS NOTED	 W.S. Darley & Co. ITASCA, ILL. - CHIPPEWA FALLS, WI.
MATERIAL DESCRIPTION:		MATERIAL NO.	PATTERN NO.	
THIS DESIGN IS THE PROPERTY OF W.S. DARLEY AND CO. - UNAUTHORIZED REPRODUCTION IS PROHIBITED.	ALL DIMENSIONS IN INCHES UNLESS NOTED	DR'N SLS	DATE 18-AUG-20	DWG - PSP, 2 GEAR, DIMENSIONAL CHWD CLR SCALE 1/4 <b>DPD0505</b>

MODEL NAME: DPD0505 MDL CREATED: 28AUG20 SHEET: 1/1 D