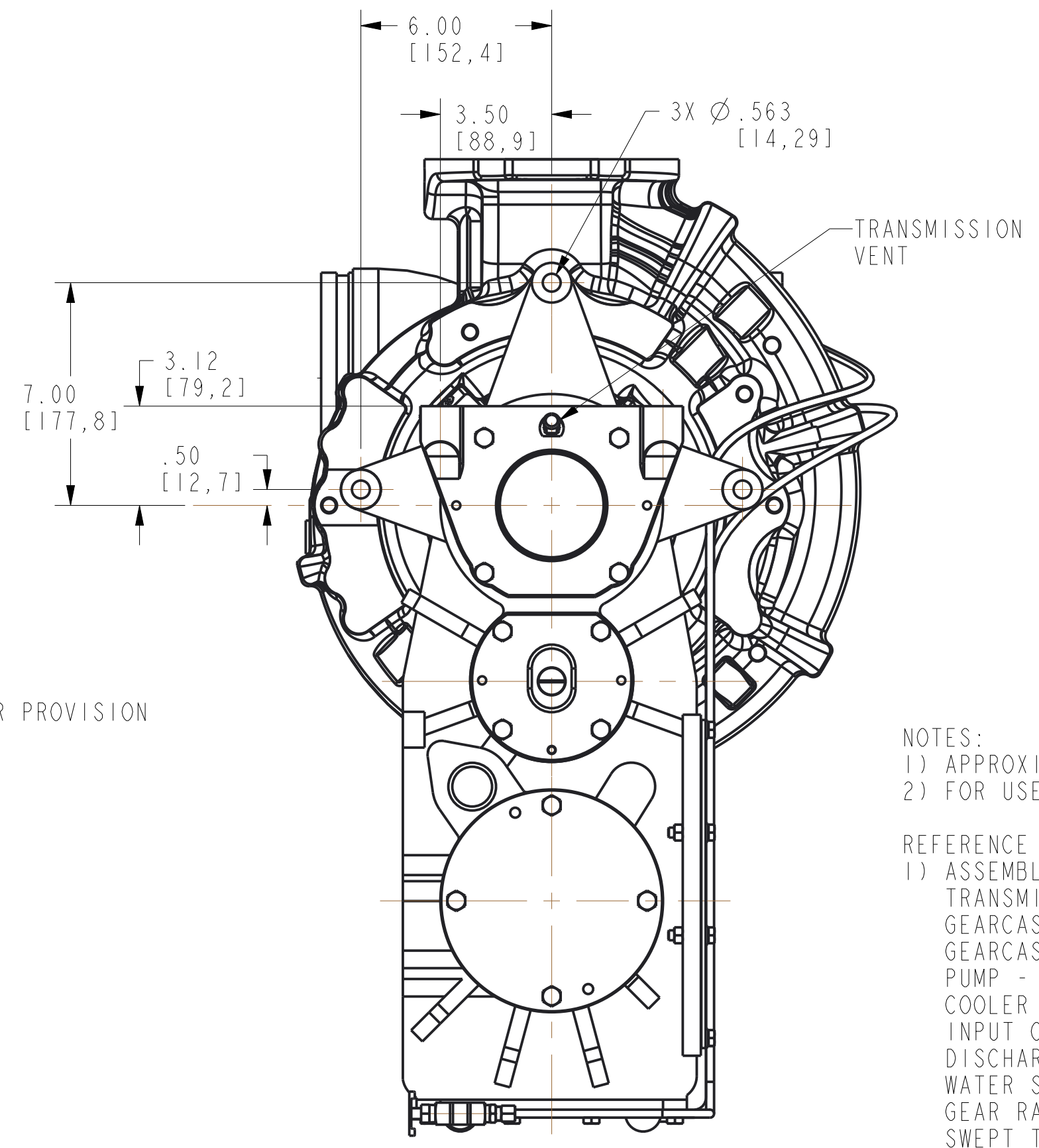
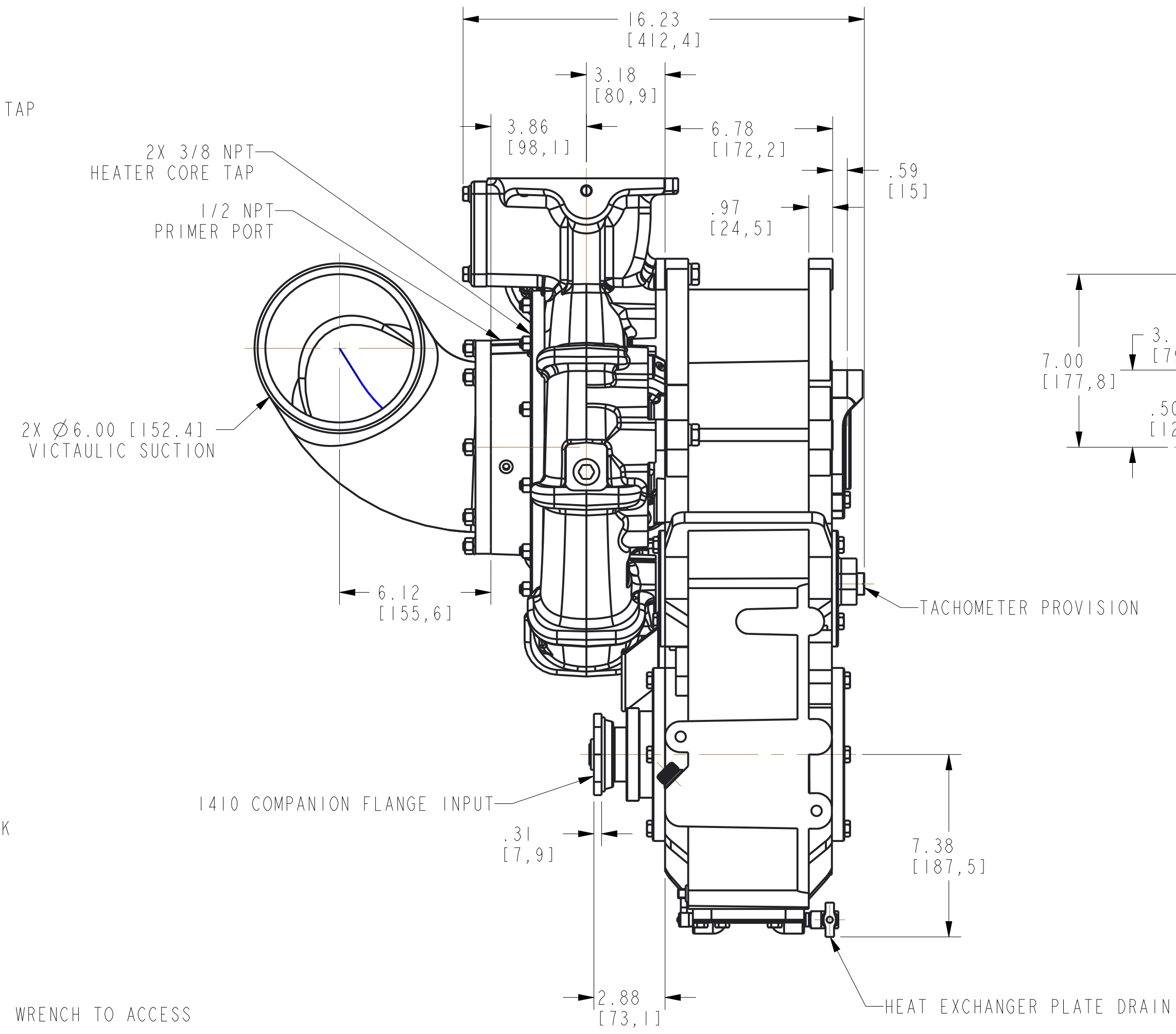
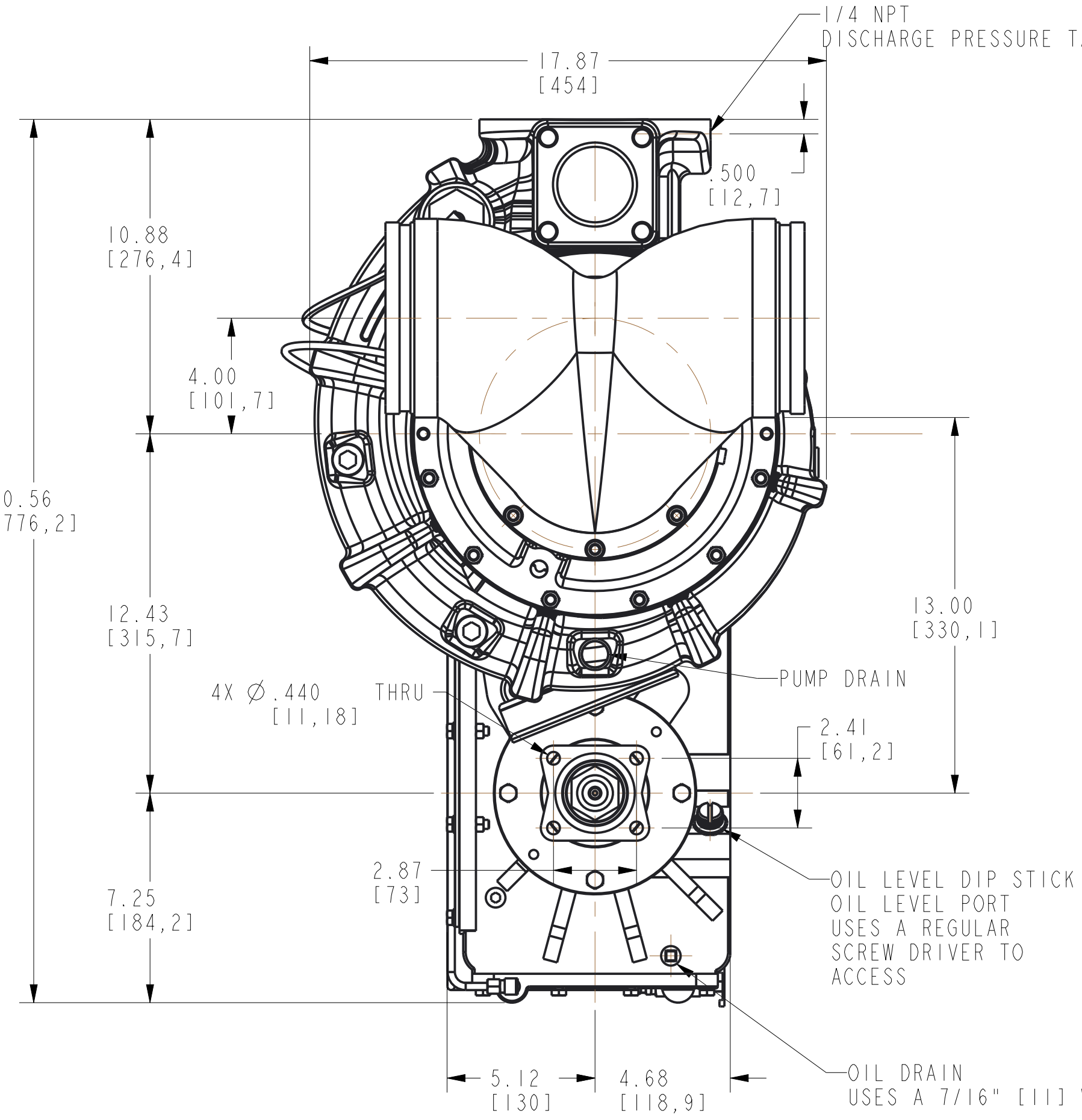
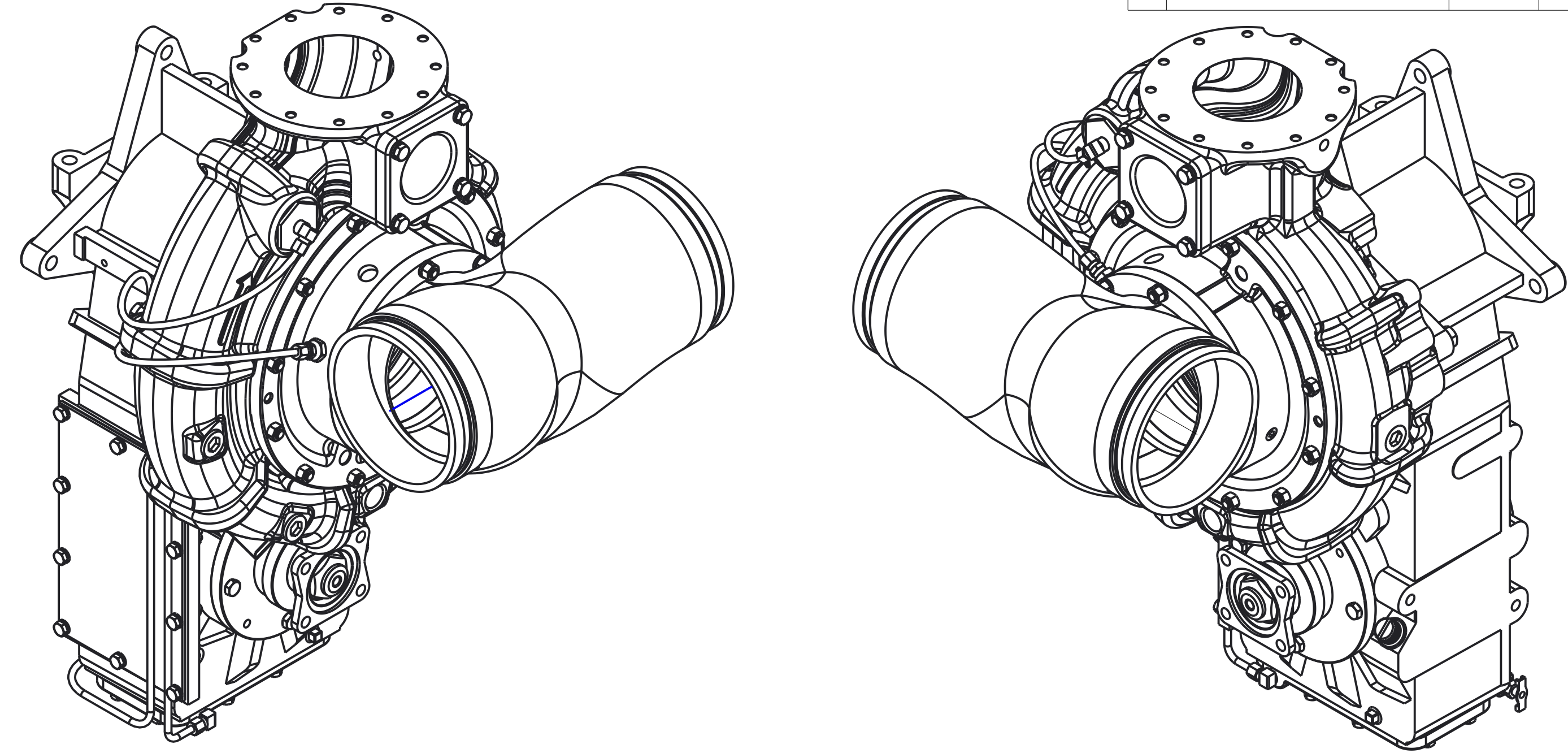
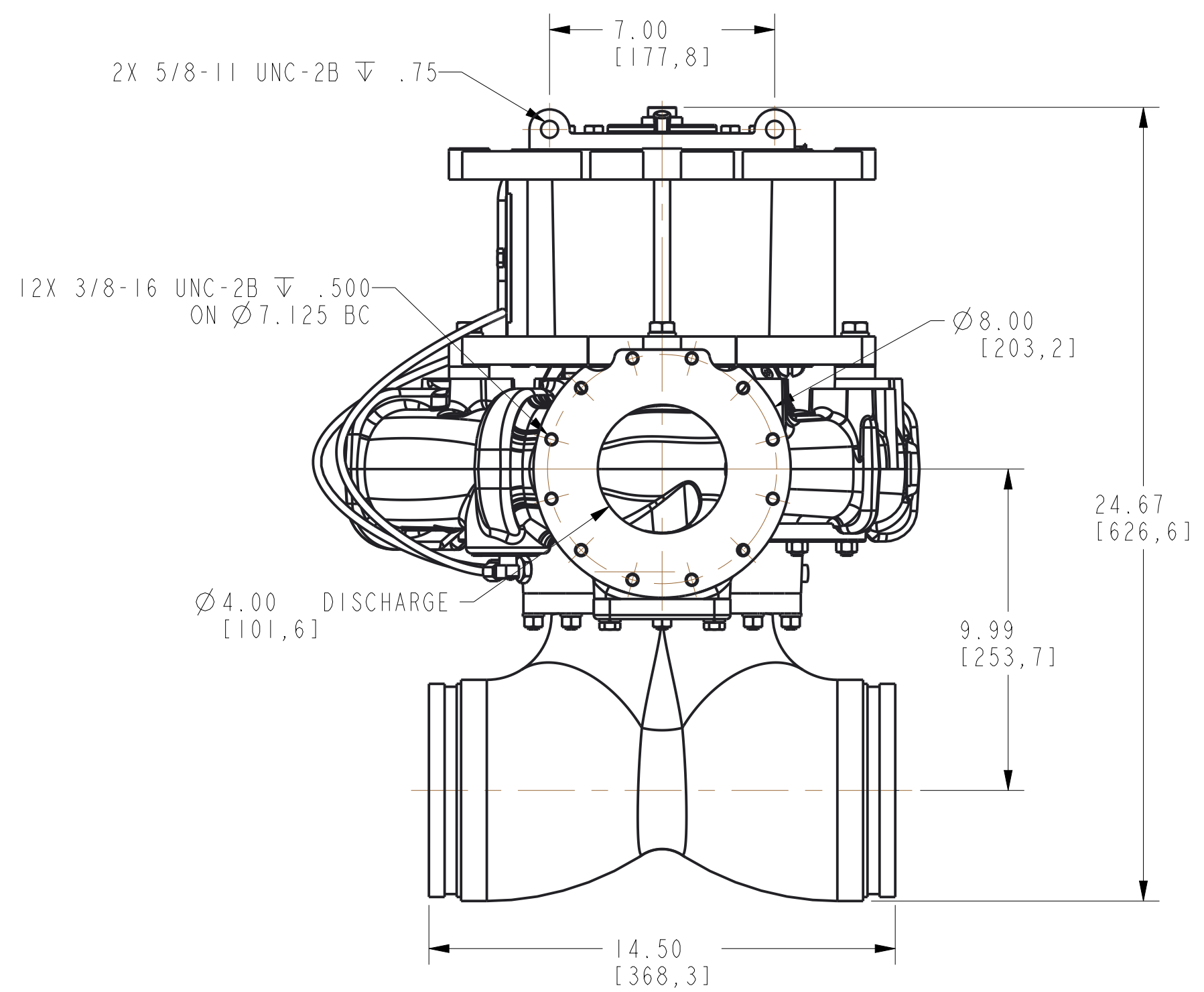


REVISIONS				
LTR	DESCRIPTION	DATE	CHG NO.	APPR'D



NOTES:  
 1) APPROXIMATE WEIGHT: 450 LBS (204 KG).  
 2) FOR USE WITH ENGINE ROTATION DRIVE SOURCE

REFERENCE NOTES:  
 1) ASSEMBLIES SHOWN:  
 TRANSMISSION - TP00620  
 GEARCASE - 1804202  
 GEARCASE COVER - AM01301  
 PUMP - PP00273  
 COOLER - AM00408  
 INPUT COMPANION FLANGE - 4817816  
 DISCHARGE FLANGE ASSEMBLY - YF00601  
 WATER SHIELD - 3203308  
 GEAR RATIO - KR03633 (1.66:1)  
 SWEEP TEE - KC02500

REMOVE SHARP EDGES	INCH (MILLIMETER)	OLD PART NO.	TOLERANCE EXCEPT AS NOTED	W.S. Darley & Co. ITASCA, IL - CHIPPEWA FALLS, WI
MATERIAL DESCRIPTION: AS LISTED		MATERIAL NO.	00 ±.03 .000 ±.010 ANGLES ±.7	DWG - PSP, PUMP FORWARD VERTICAL 3 GEAR TRANSMISSION
THIS DESIGN IS THE PROPERTY OF W.S. DARLEY AND CO. - UNAUTHORIZED REPRODUCTION IS PROHIBITED	ALL DIMENSIONS IN INCHES UNLESS NOTED	DR: N. SMS CHKD: WAR TRCD:	DATE 05JUN2019 SCALE 1/4	DPD0412