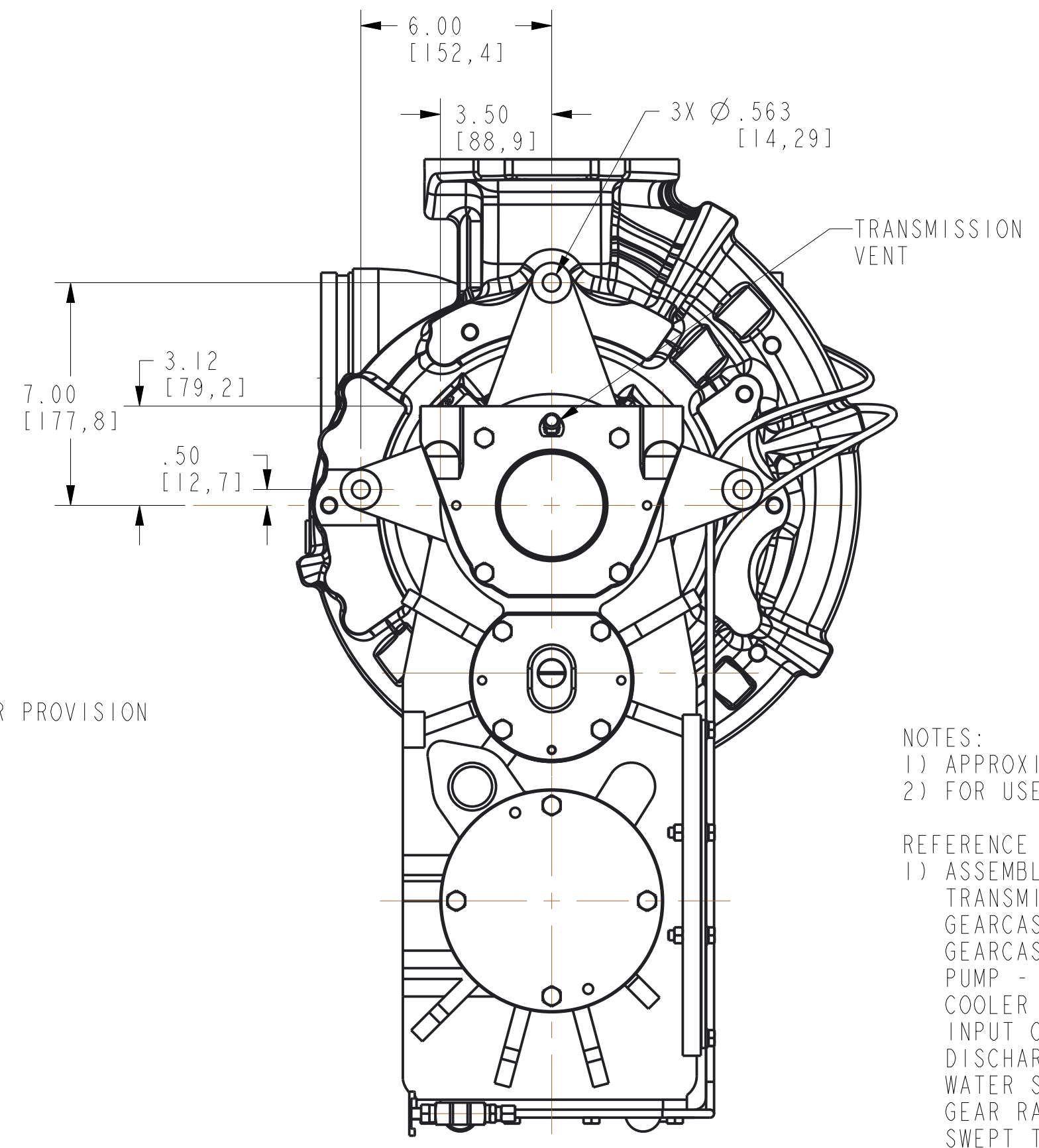
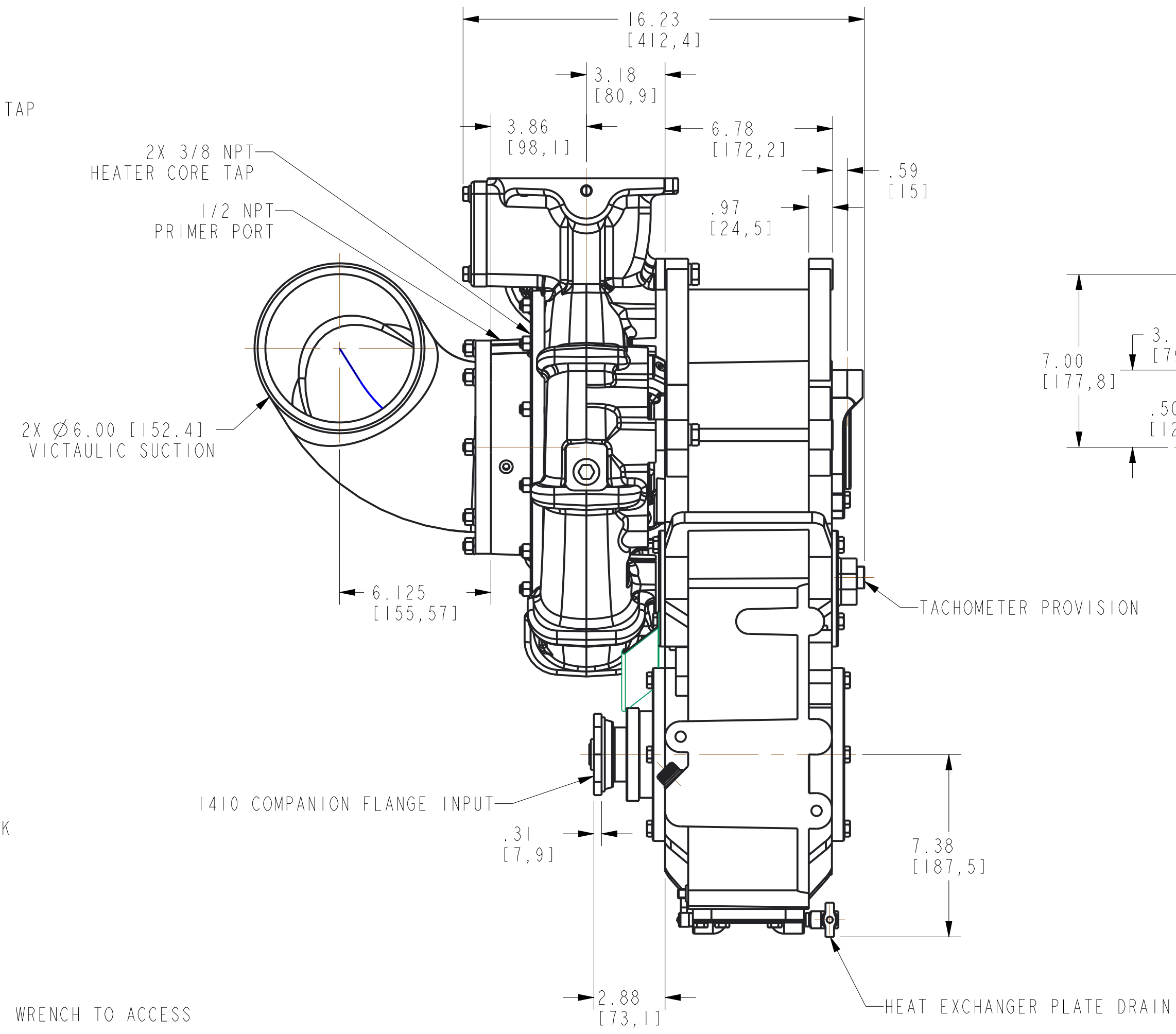
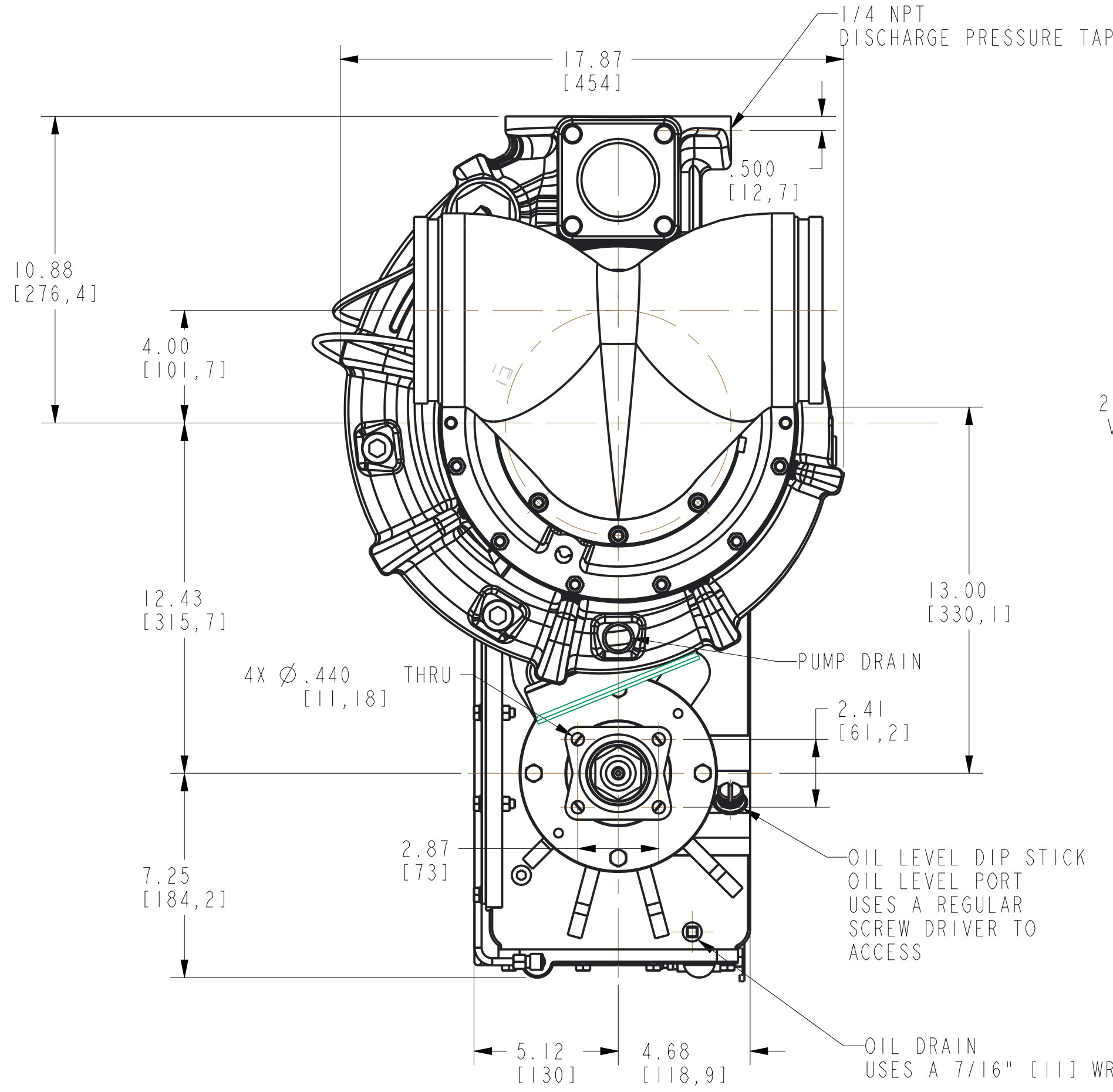
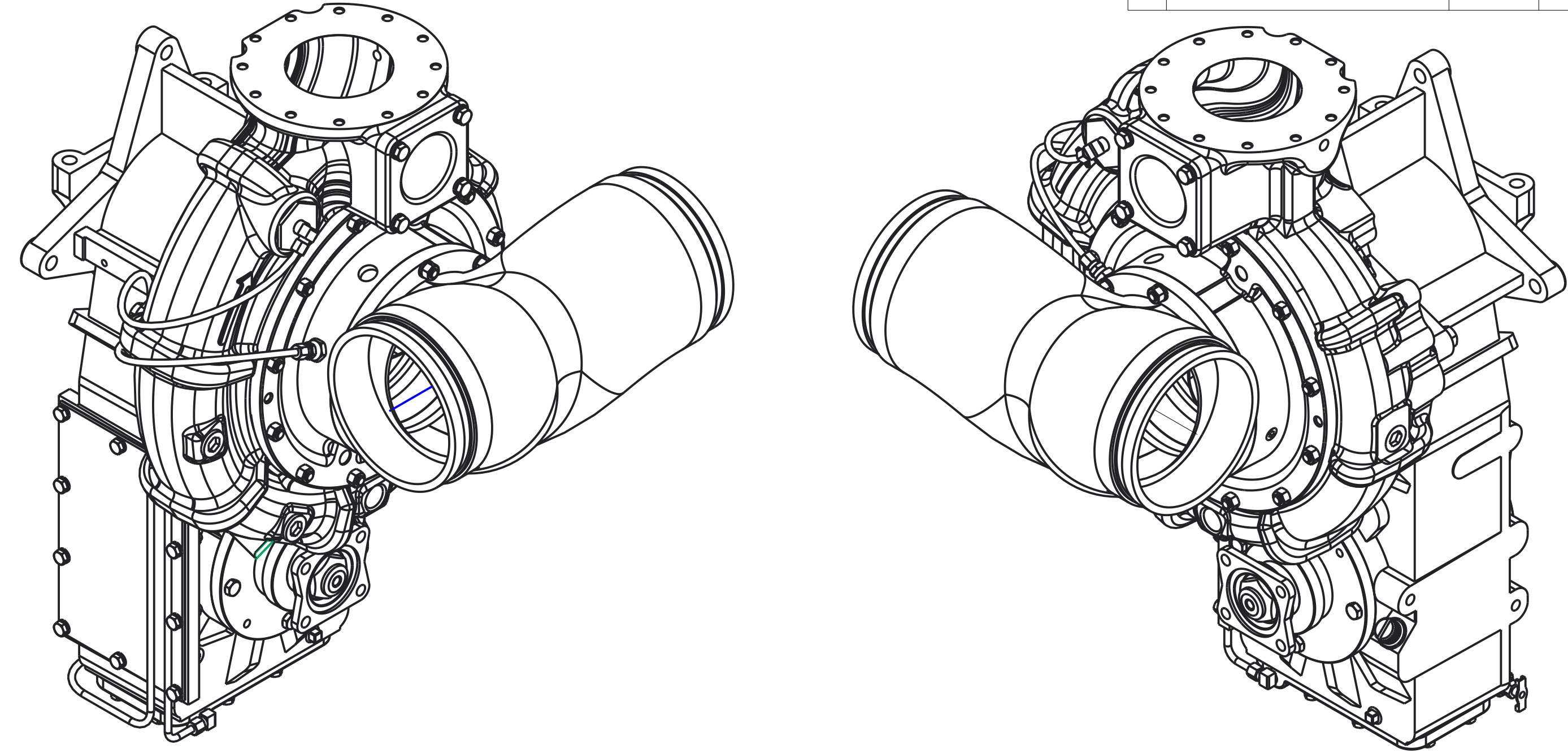
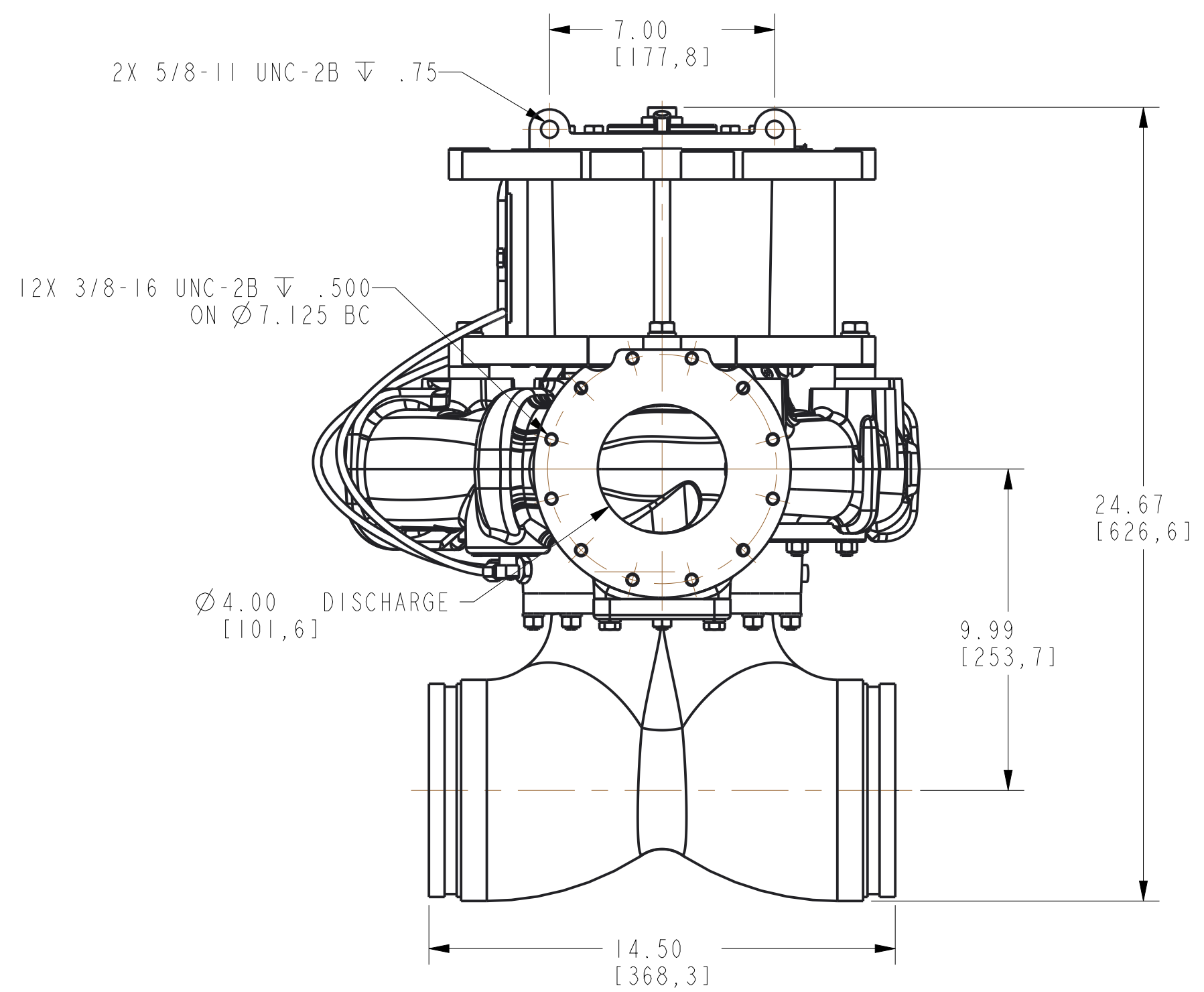


REVISIONS				
LTR	DESCRIPTION	DATE	CHG NO.	APPR'D



NOTES:
 1) APPROXIMATE WEIGHT: 410 LBS (186 KG).
 2) FOR USE WITH ENGINE ROTATION DRIVE SOURCE

REFERENCE NOTES:
 1) ASSEMBLIES SHOWN:
 TRANSMISSION - TP00620
 GEARCASE - 1804202
 GEARCASE COVER - AM01301
 PUMP - PP00273
 COOLER - AM00408
 INPUT COMPANION FLANGE - 4817816
 DISCHARGE FLANGE ASSEMBLY - YF00601
 WATER SHIELD - 3203308
 GEAR RATIO - KR03634 (2.12:1)
 SWEEP TEE - KC02500

REMOVE SHARP EDGES	INCH (MILLIMETER)	OLD PART NO.	TOLERANCE EXCEPT AS NOTED	W.S. Darley & Co. ITASCA, IL - CHIPPEWA FALLS, WI
MATERIAL DESCRIPTION: AS LISTED		MATERIAL NO.	DWG - PSP, PUMP FORWARD	
THIS DESIGN IS THE PROPERTY OF W.S. DARLEY AND CO. - UNAUTHORIZED REPRODUCTION IS PROHIBITED	ALL DIMENSIONS IN INCHES UNLESS NOTED	PATTERN NO.	DATE 21MAY2019	SCALE 1/4
		DR 'N' SMS	CHWD WAR	TRCD

DPD0409