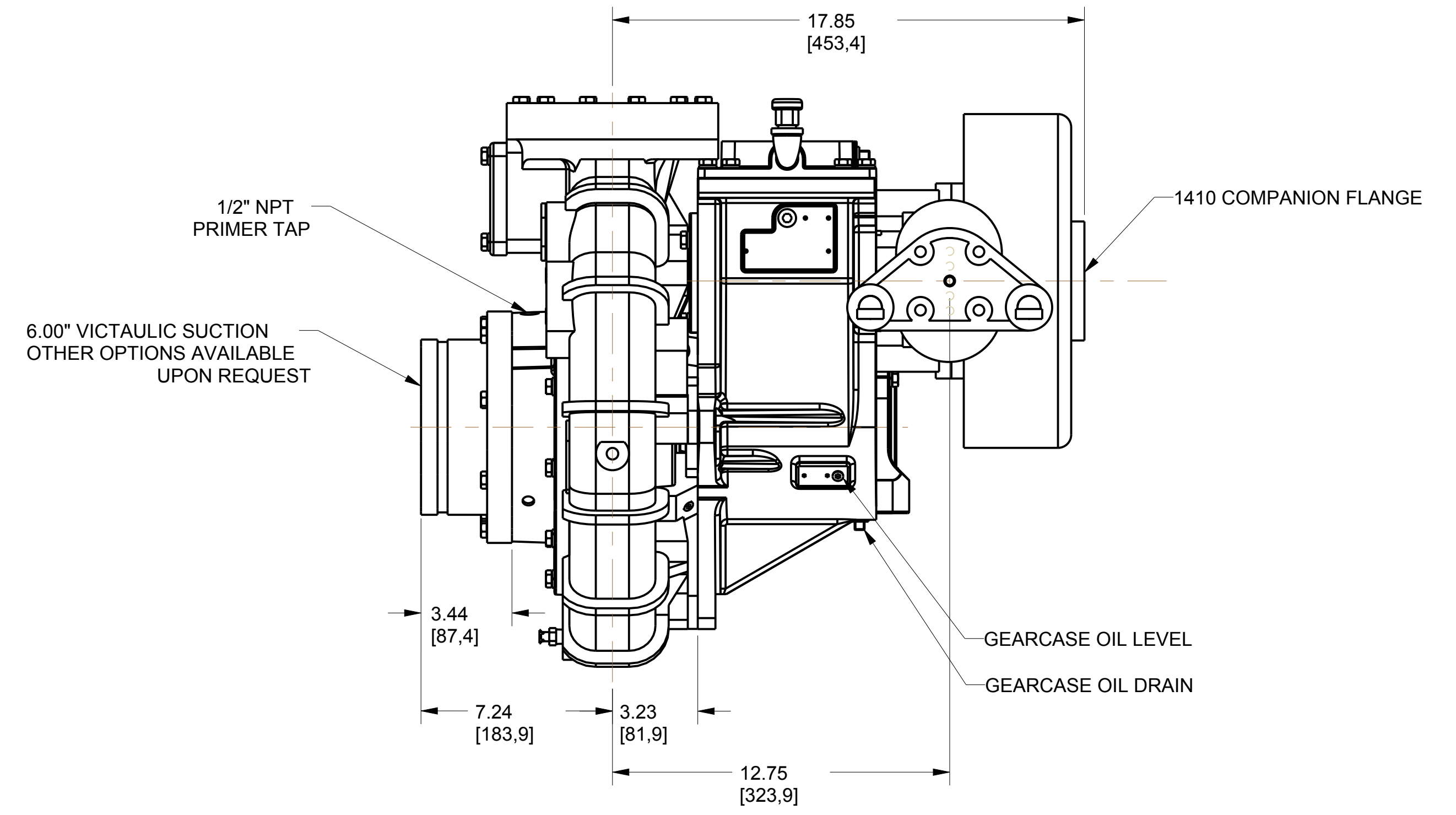
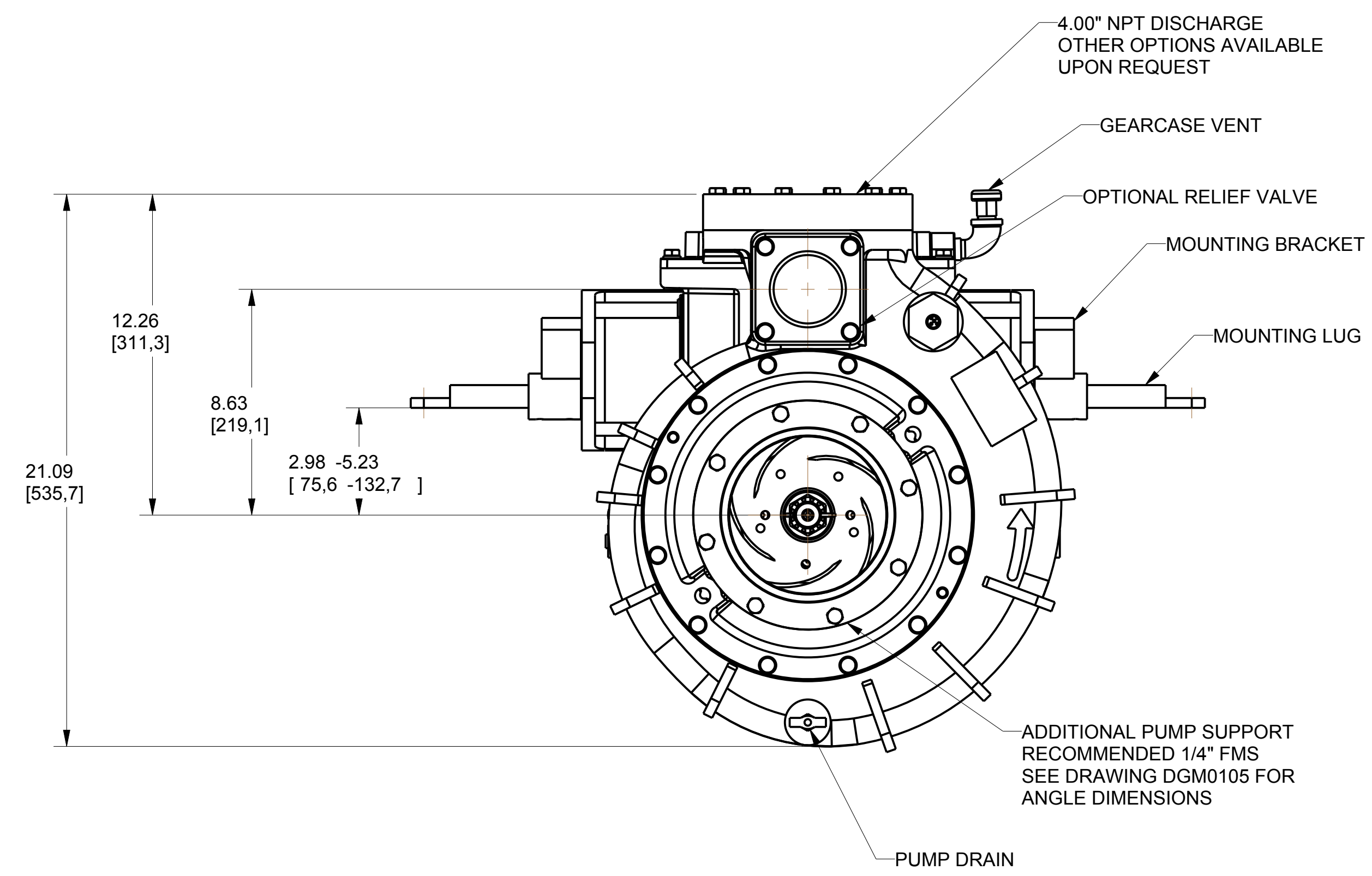
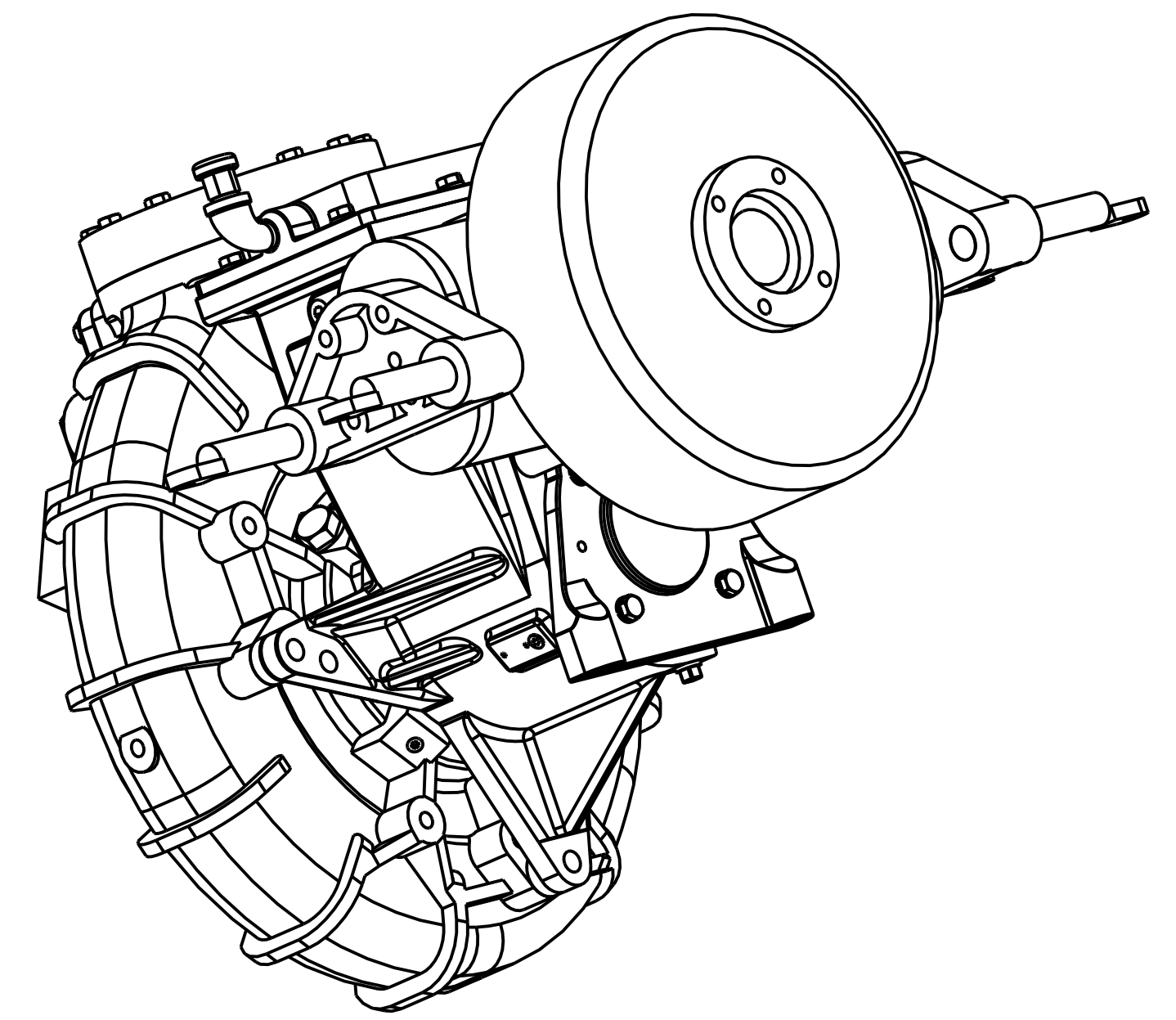
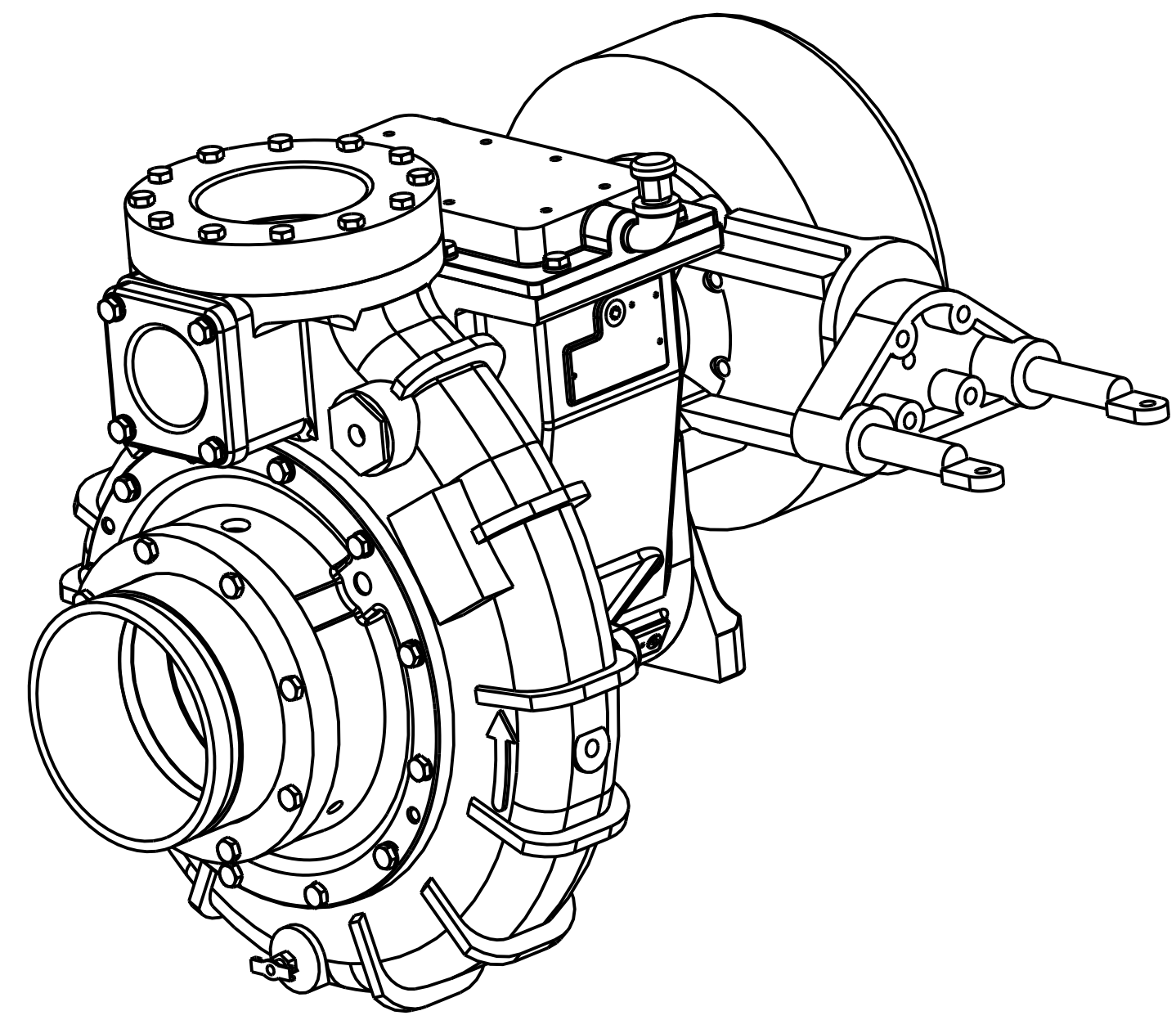
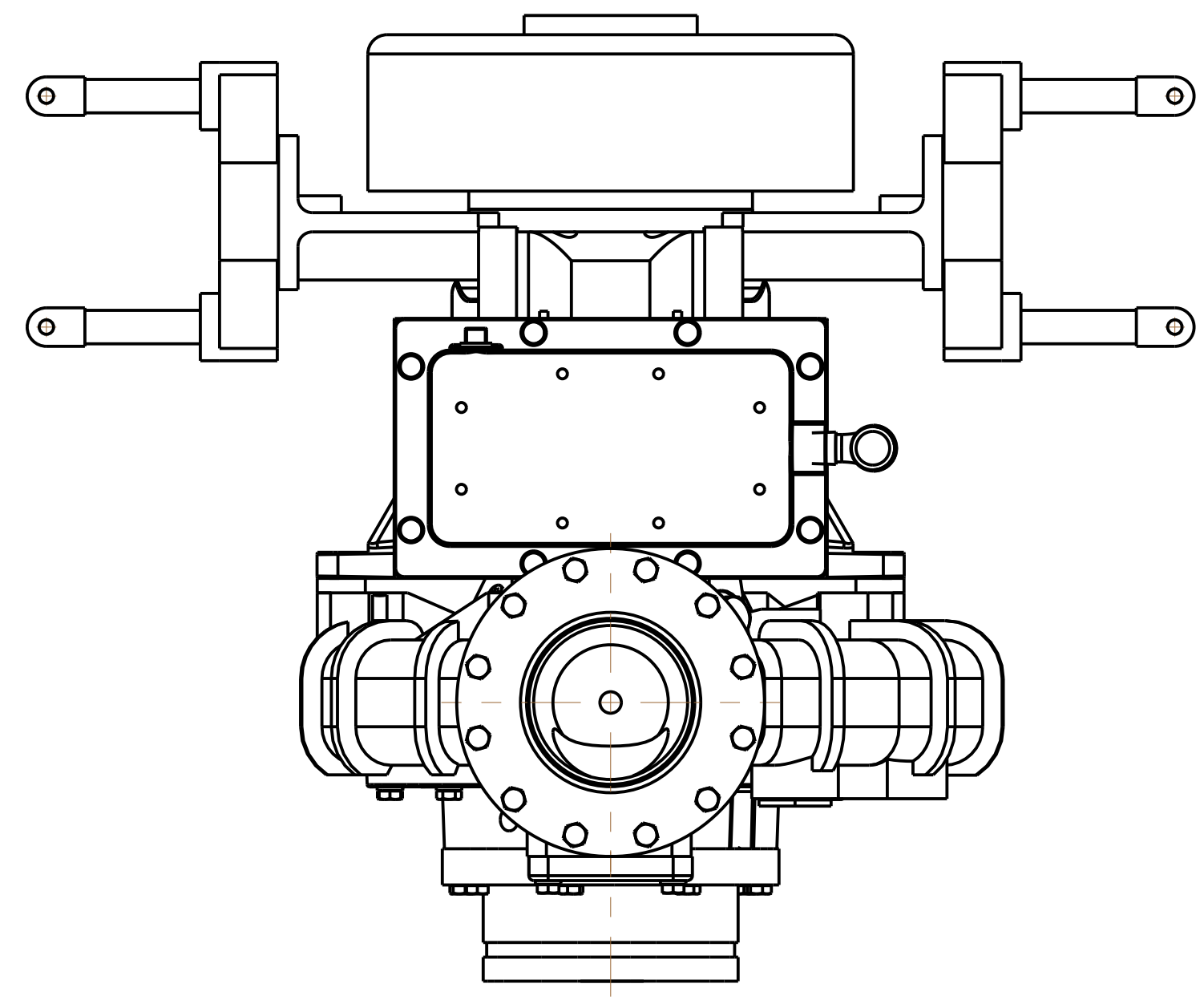


REVISIONS				
LTR	DESCRIPTION	DATE	CHG NO.	APPRD



MODEL NAME: DPD0304 MKL CREATED: 22MAY2012 SHEET: 1/1 D

REMOVE SHARP EDGES		INCH (MILLIMETER)		OLD PART NO.		TOLERANCE EXCEPT AS NOTED		W.S. Darley & Co. ITASCA, IL - CHIPPEWA FALLS, WI	
MATERIAL DESCRIPTION: THIS DESIGN IS THE PROPERTY OF W.S. DARLEY AND CO. - UNAUTHORIZED REPRODUCTION IS PROHIBITED		MATERIAL NO.		PATTERN NO.		DWG - PSF-IC DIMENSIONAL INVERTED GEARCASE		DATE 22-May-12	
ALL DIMENSIONS IN INCHES UNLESS NOTED		DO NOT SCALE PRINT		DRN SMS CHKD MCR TRCD		SCALE 1/4		DPD0304	