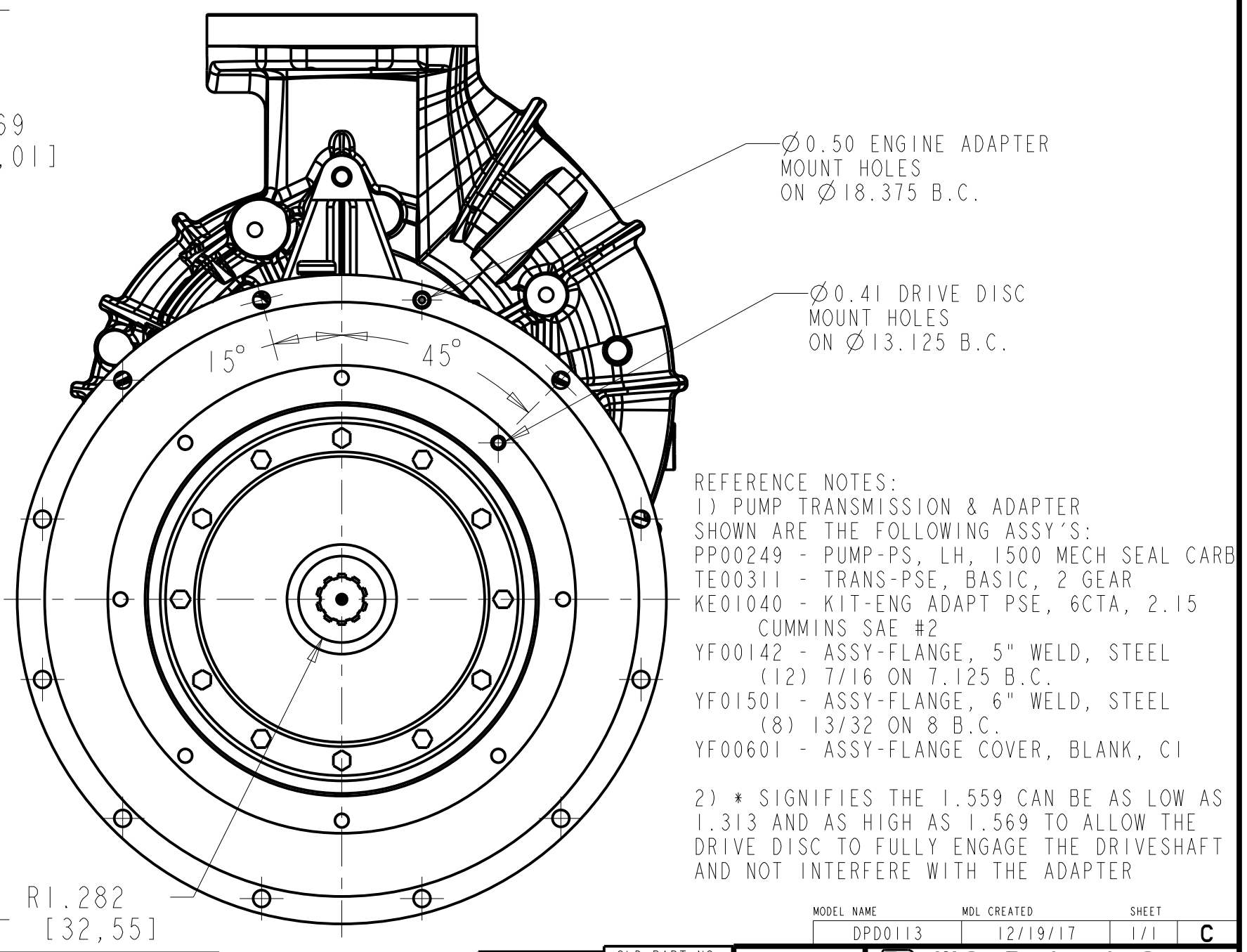
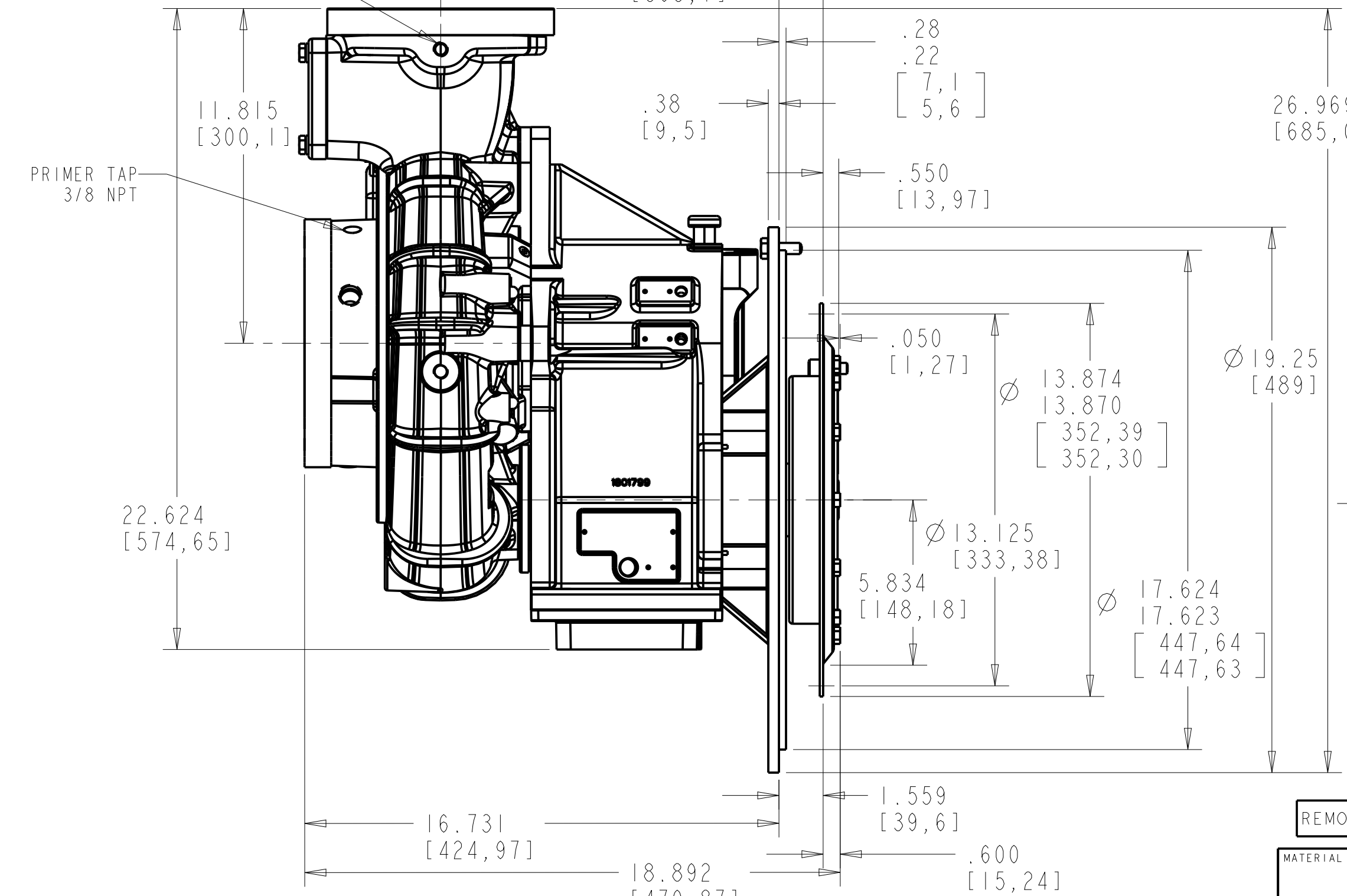
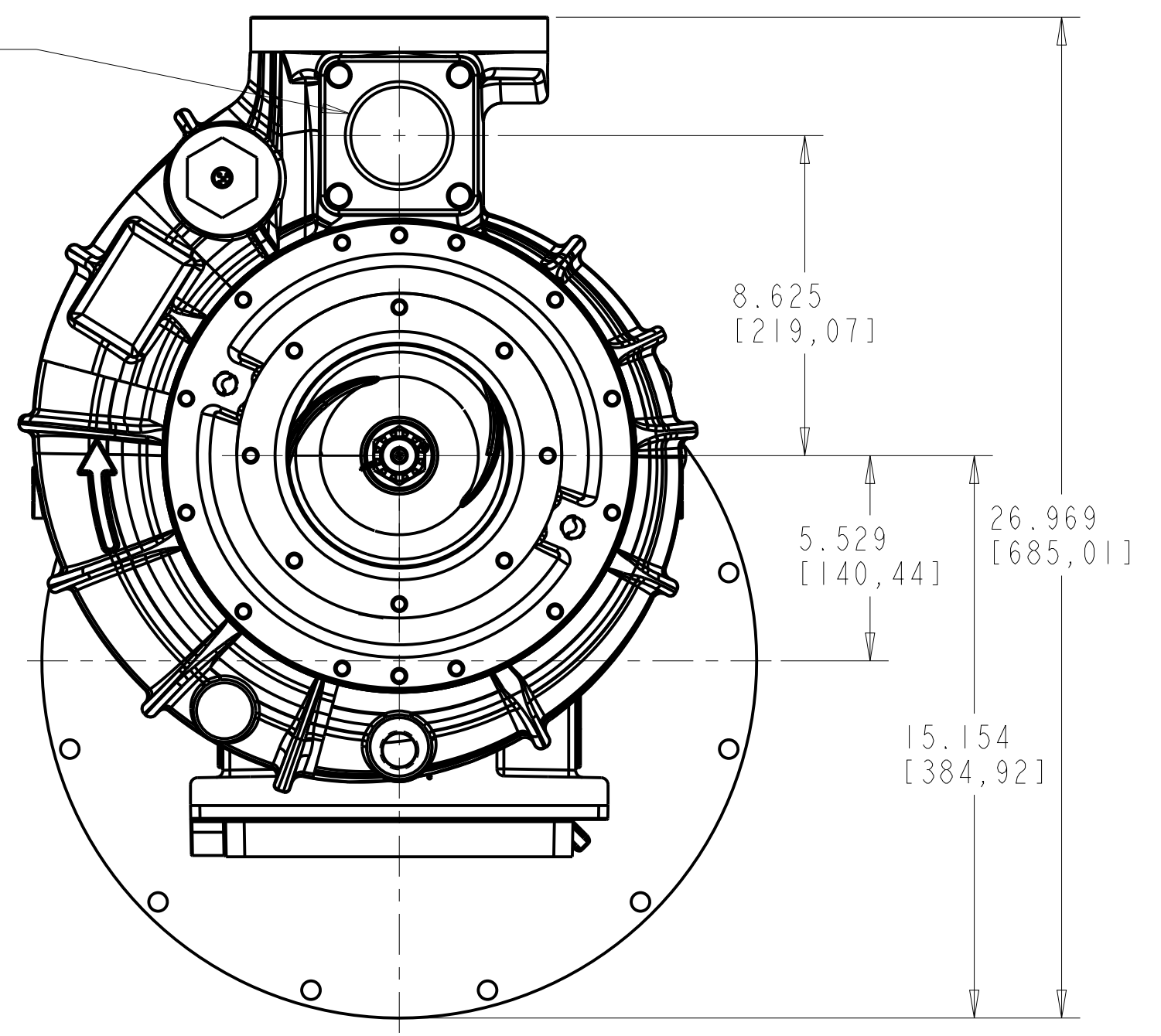
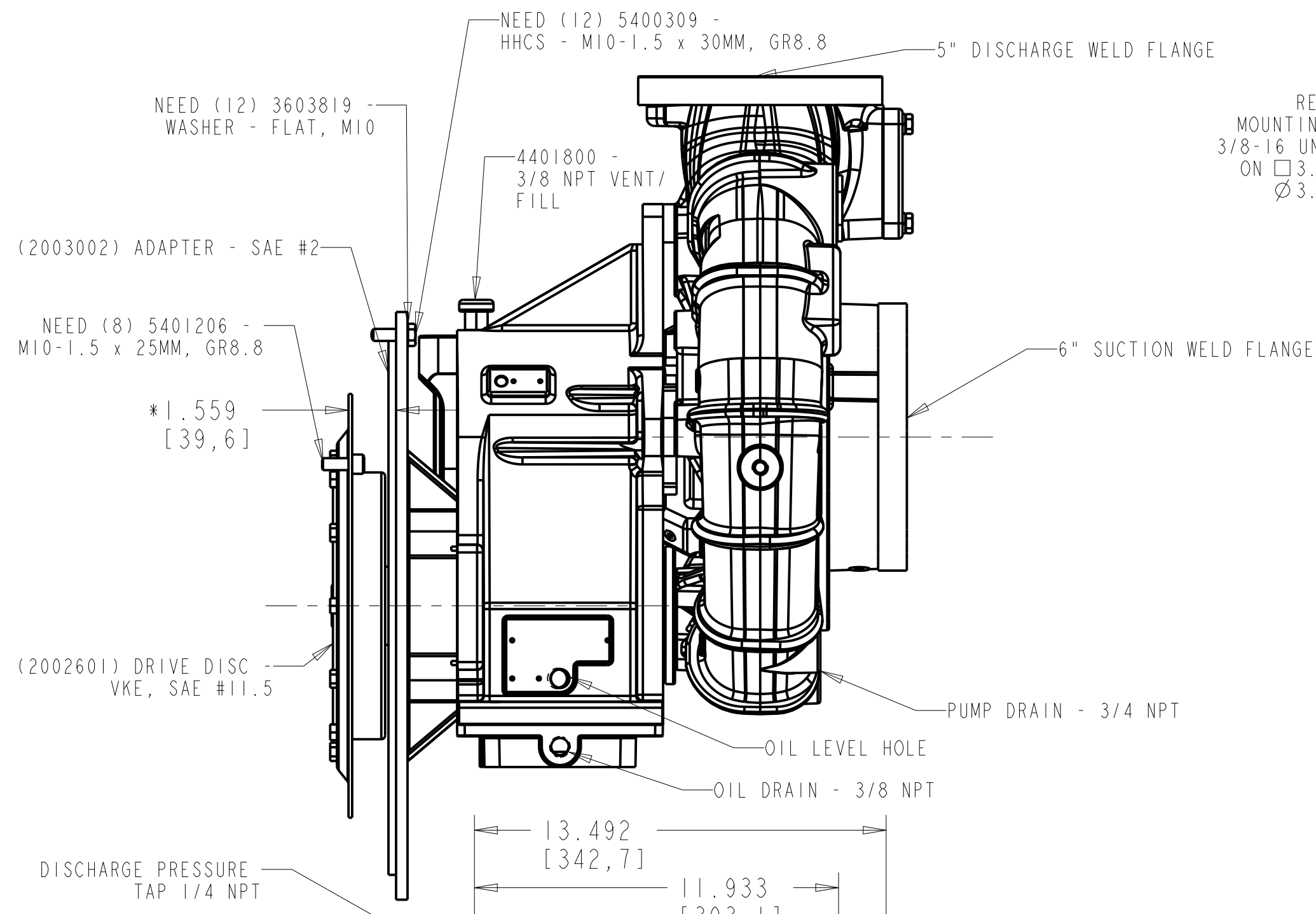


REVISIONS				
LTR	DESCRIPTION	DATE	CHG NO.	APPR'D



APPROX. WEIGHT = 382 LB (173 KG)

REMOVE SHARP EDGES		INCH [MILLIMETER]	THIRD ANGLE PROJECTION	OLD PART NO.	TOLERANCE EXCEPT AS NOTED .00 ± .03 .000 ± .010 ANGLES ± 1°	 W.S. Darley & Co. ITASCA, IL - CHIPPEWA FALLS, WI
MATERIAL DESCRIPTION:					DR'N SLS CHKD WAH TRCD	
THIS DESIGN IS THE PROPERTY OF W.S. DARLEY AND CO. - UNAUTHORIZED REPRODUCTION IS PROHIBITED		ALL DIMENSIONS IN INCHES UNLESS NOTED		DO NOT SCALE PRINT	DATE 19-Dec-17	SCALE 0.250
				DPD0113	12/19/17	1/1
						<b>DPD0113</b>