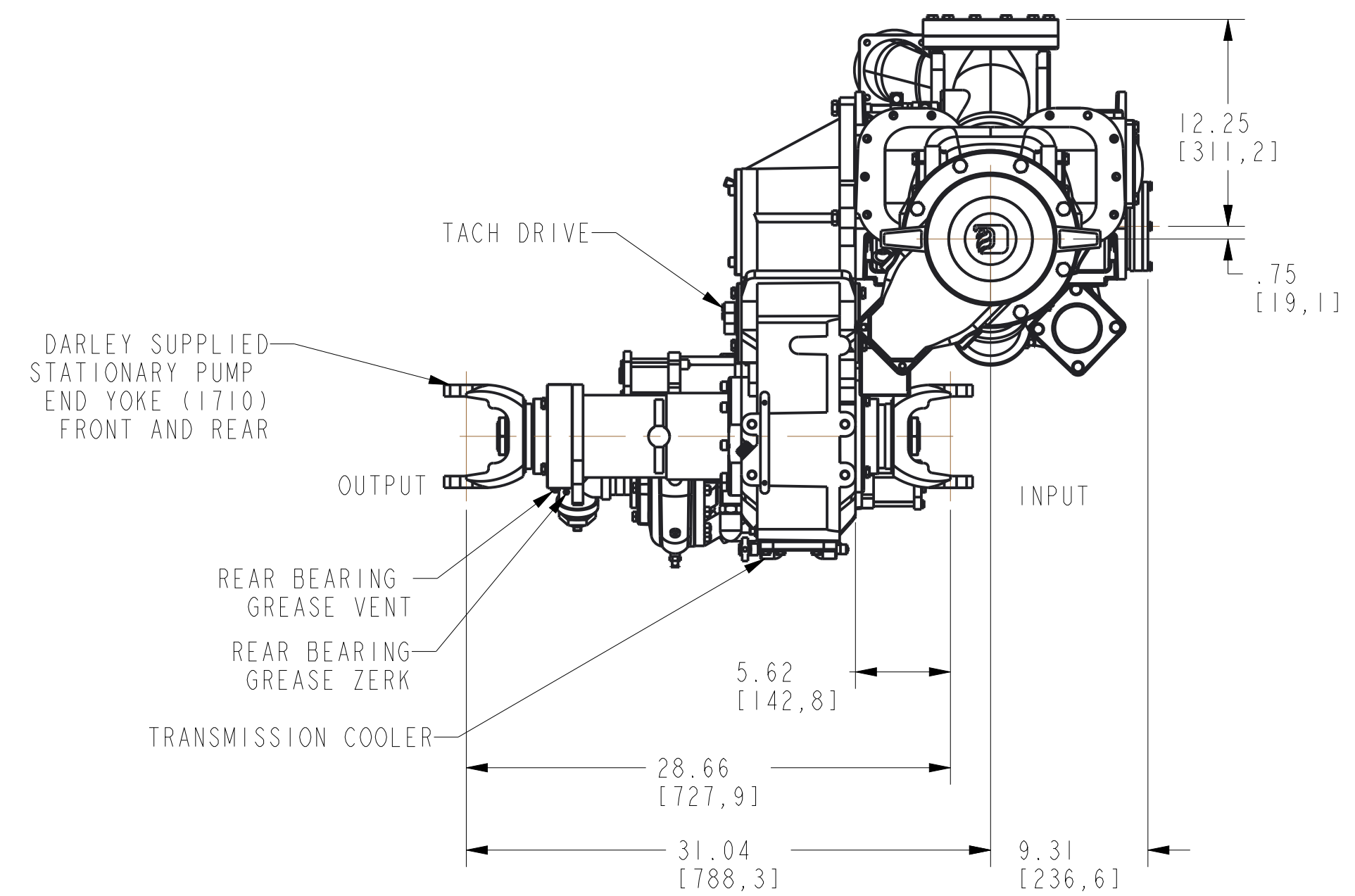
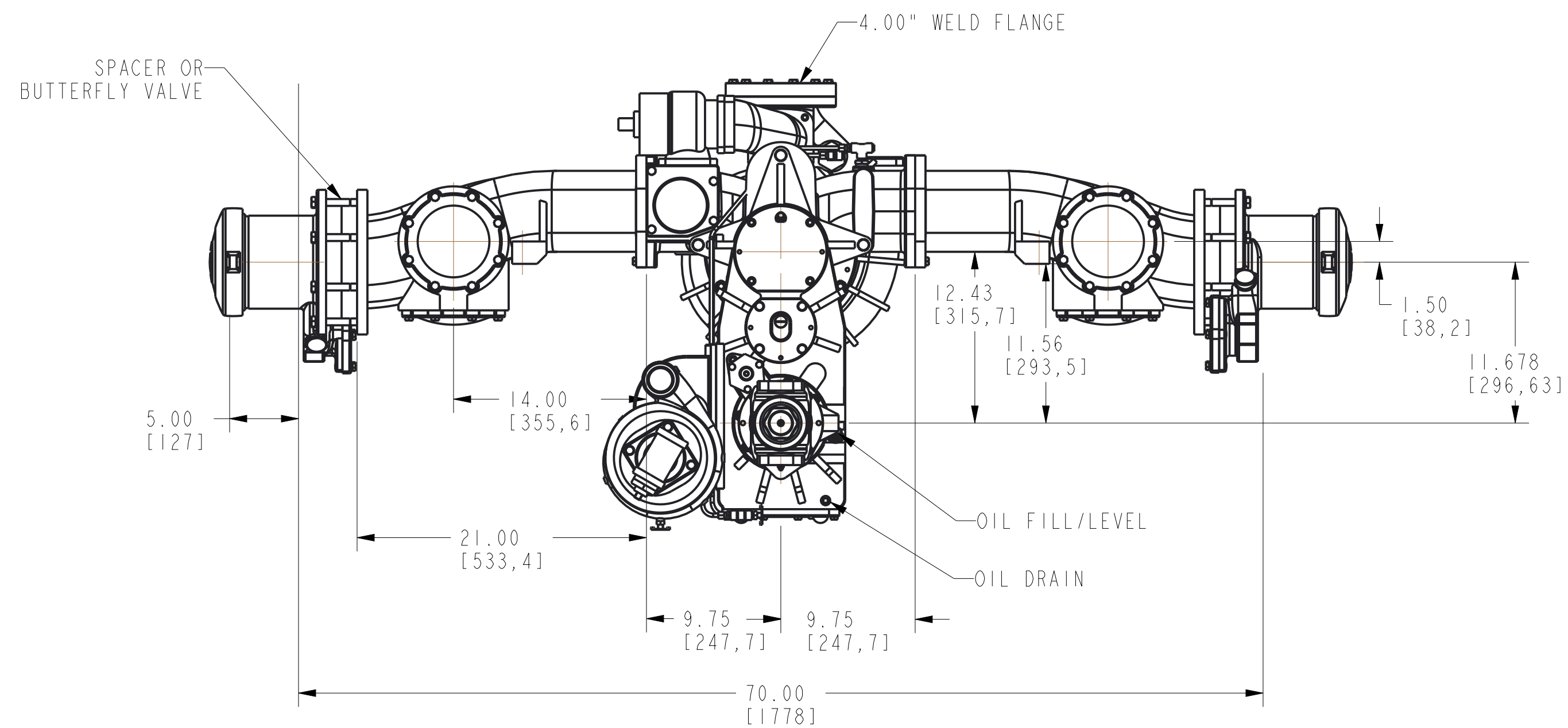
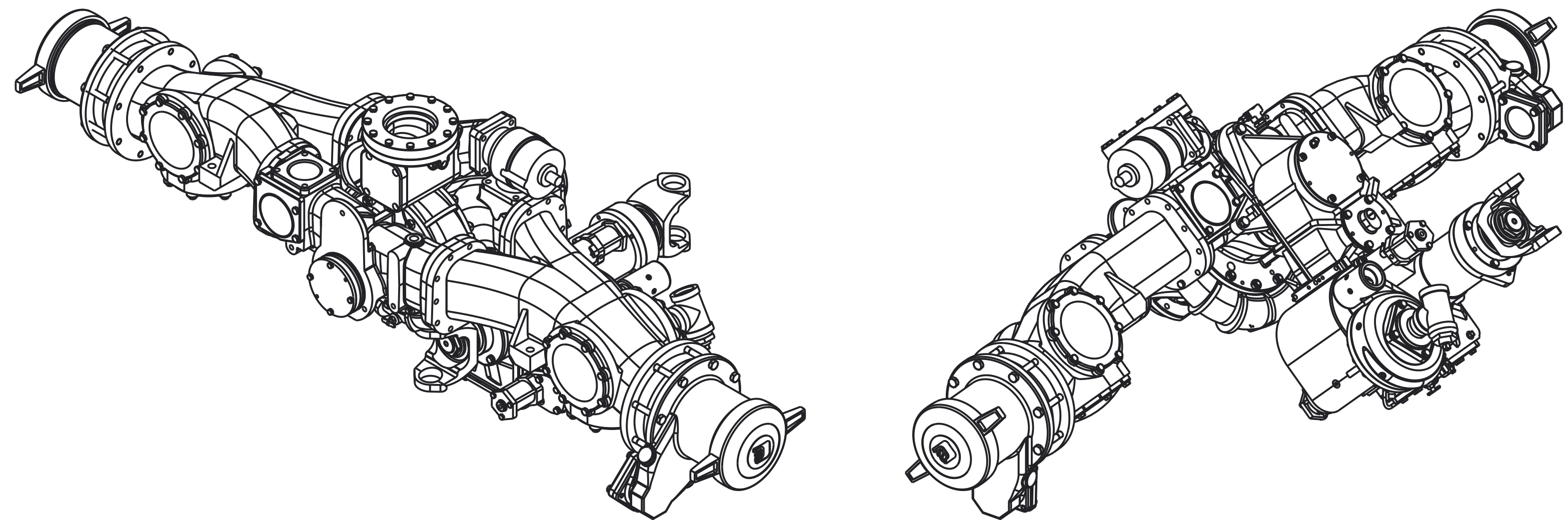
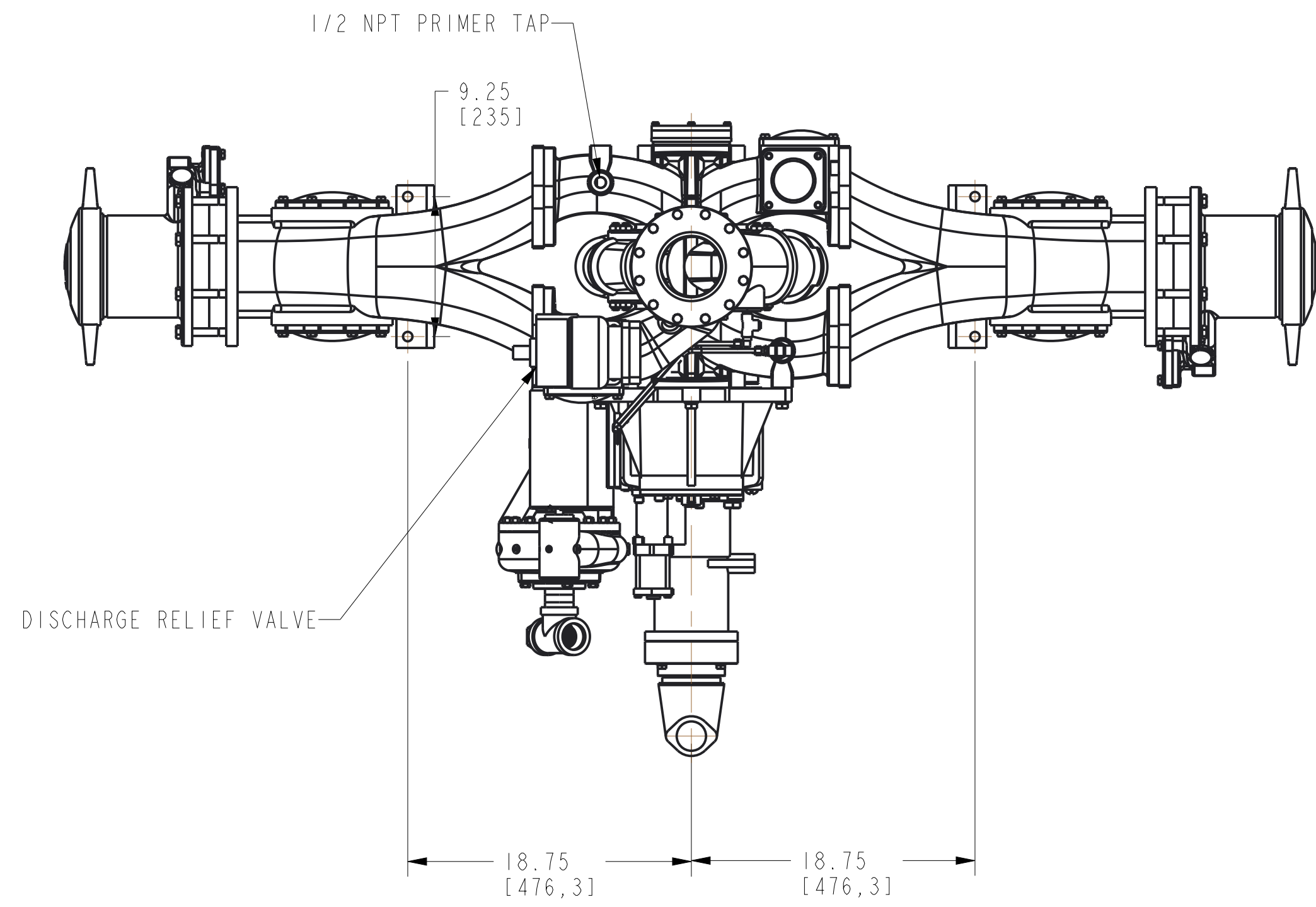


REVISIONS				
LTR	DESCRIPTION	DATE	CHG NO.	APPR'D



REMOVE SHARP EDGES

INCH (MILLIMETER)



OLD PART NO.

TOLERANCE EXCEPT AS NOTED

W.S. Darley & Co.
ITASCA, IL - CHIPPEWA FALLS, WI

MATERIAL DESCRIPTION: AS LISTED

MATERIAL NO.

PATTERN NO.

DR: N SMS

DWG-LDMXH, PUMP FWRD DIMENSIONAL

THIS DESIGN IS THE PROPERTY OF W.S. DARLEY AND CO. UNAUTHORIZED REPRODUCTION IS PROHIBITED

ALL DIMENSIONS IN INCHES UNLESS NOTED

DO NOT SCALE PRINT

CHWD

DATE 11DEC2013
SCALE 1/8
DLD2202

MODEL NAME: DLD2202
MOL CREATED: 11DEC2013
SHEET: 1/1