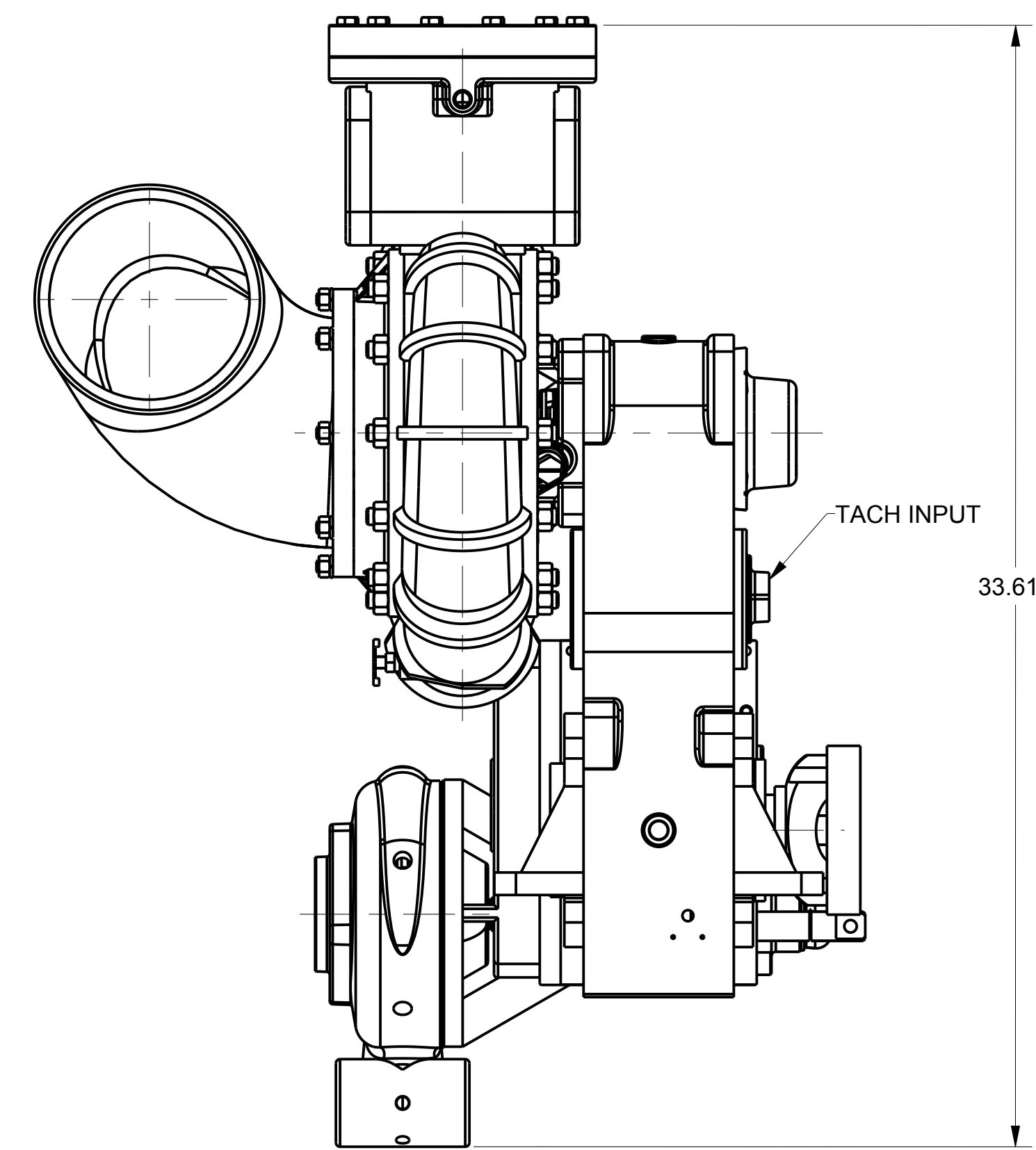
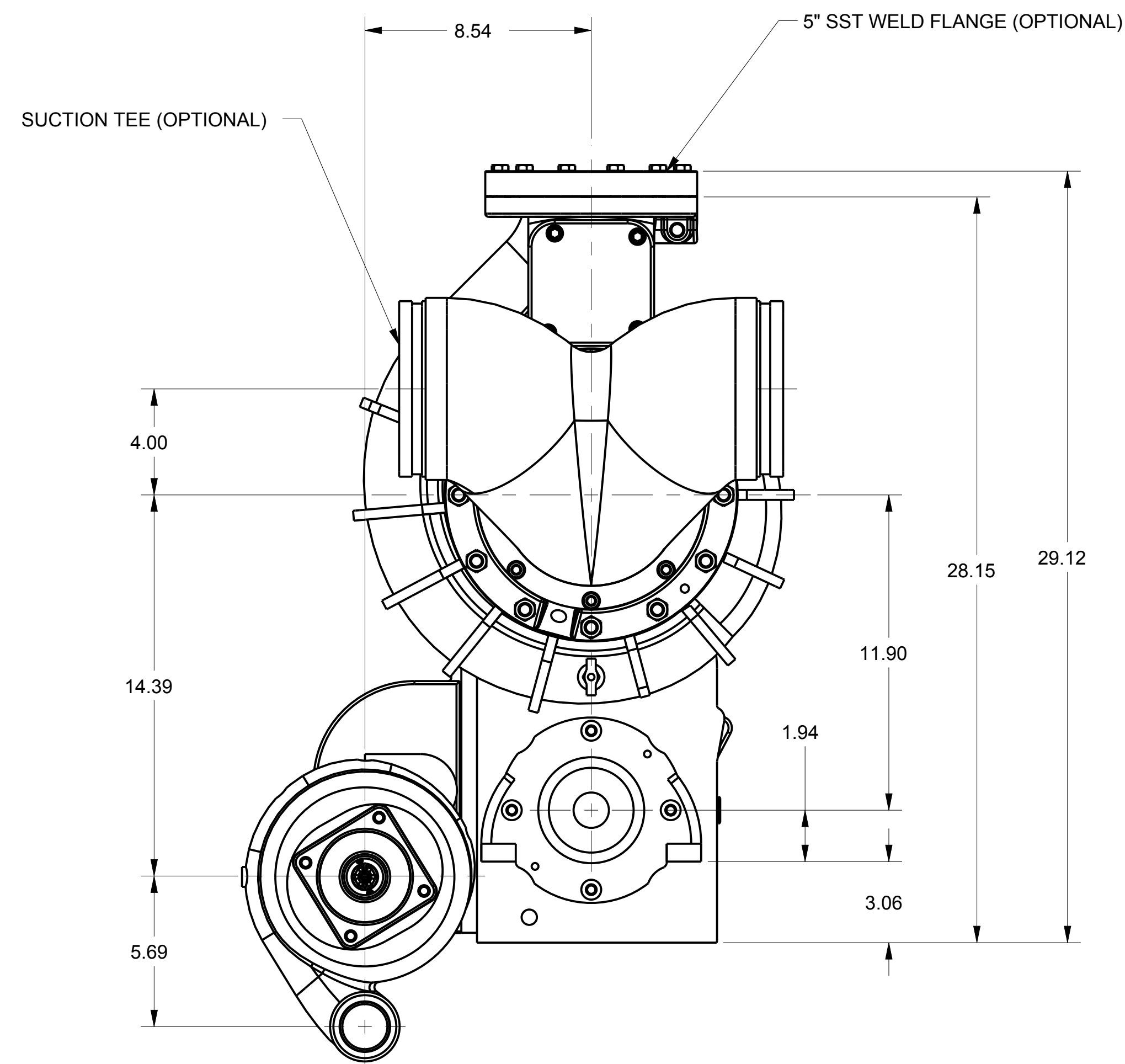
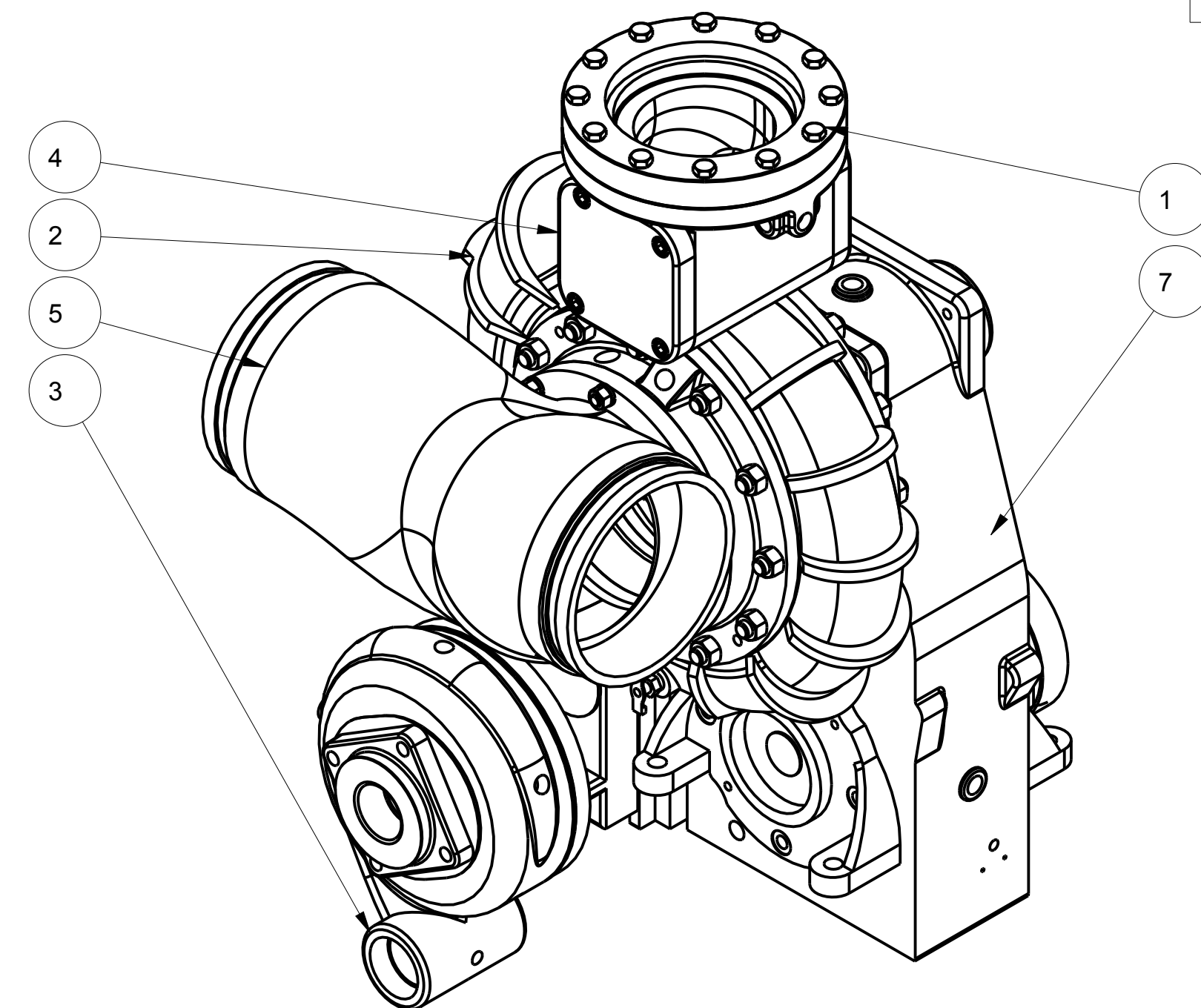
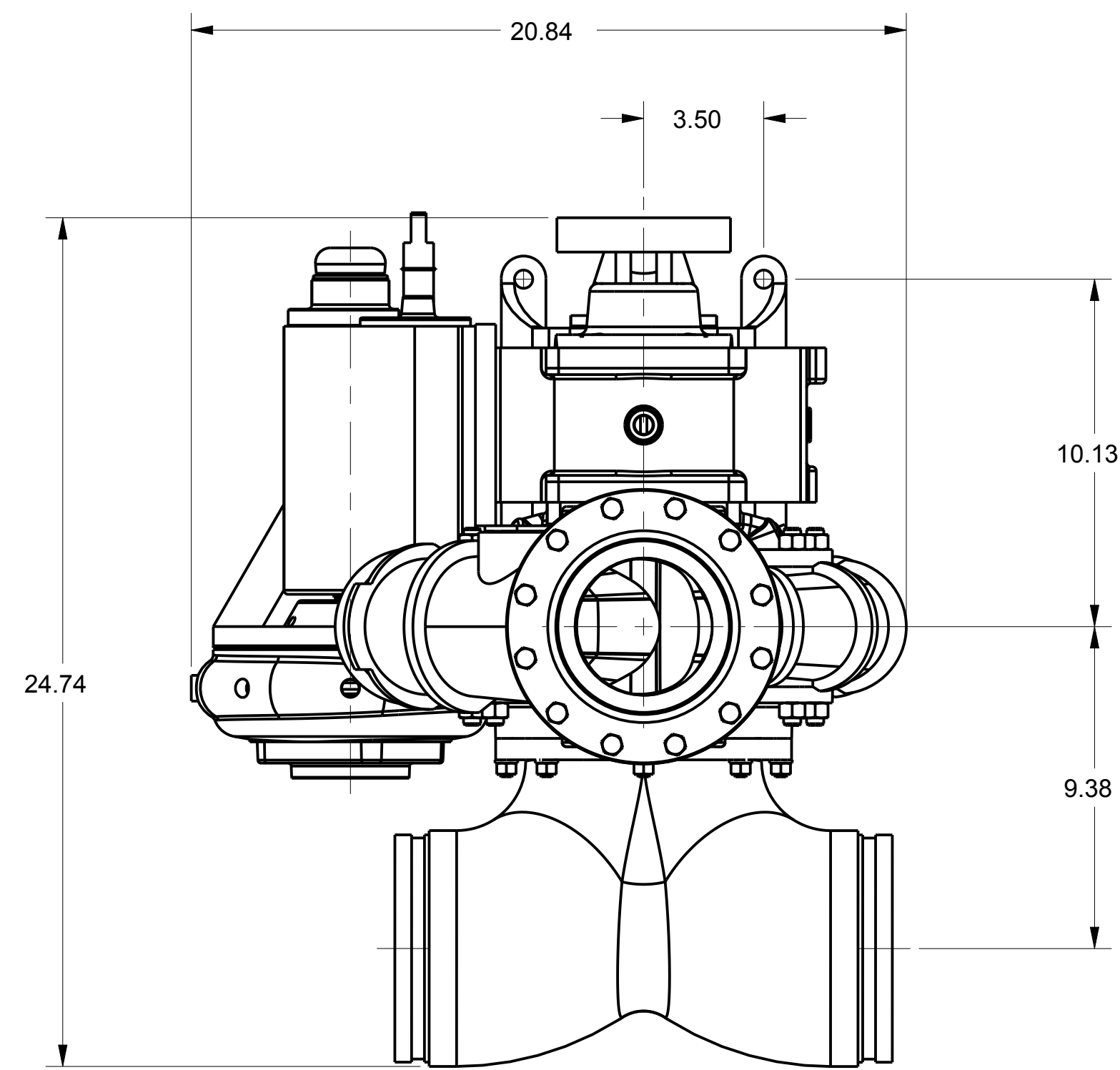


NO.	DESCRIPTION	PART NO.	QTY.
1	ASSY - FLANGE, 5"WELD, STEEL	YF00142	1
2	DWG - LS PUMP, LH ROT MECH SEAL	DLC0502	1
3	DWG - LSM 2ND STG, MECH SEAL	DLC0108	1
4	KIT - LDM, LS, RV FLANGE BLIND	KC01600	2
5	KIT - LS 6" SWEEP TEE	KC02500	1
7	TRANS - LSP, 3 GEAR LOCK-ON	TP01102_W_1804306_REAR	

REVISIONS				
LTR	DESCRIPTION	DATE	CHG NO.	APPRD



MODEL NAME: DLD0611 MDL CREATED: 6/11/13 SHEET: 1/1 D

REMOVE SHARP EDGES	INCH (MILLIMETER)	OLD PART NO.	TOLERANCE EXCEPT AS NOTED	W.S. Darley & Co. ITASCA, IL - CHIPPEWA FALLS, WI
MATERIAL DESCRIPTION:		MATERIAL NO.	00 ±.03 2000 ±.010 ANGLES ±1°	DWG - LSPH, PUMP REAR DIMENSIONAL
THIS DESIGN IS THE PROPERTY OF W.S. DARLEY AND CO. - UNAUTHORIZED REPRODUCTION IS PROHIBITED	ALL DIMENSIONS IN INCHES UNLESS NOTED	DO NOT SCALE PRINT	DRN JAF CHKD RJS TRCD	DATE 11-Jun-13 SCALE 1/4

DLD0611