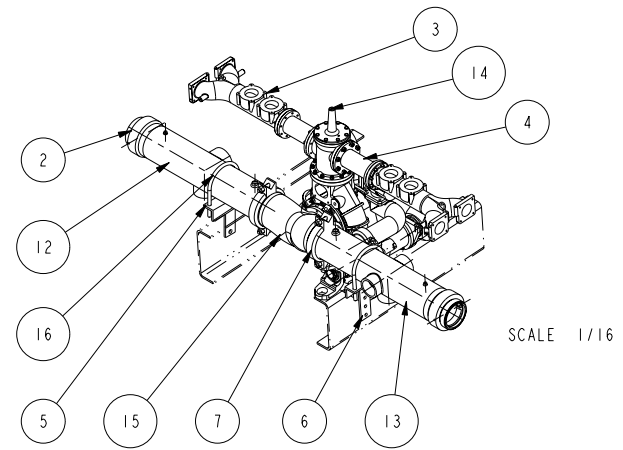


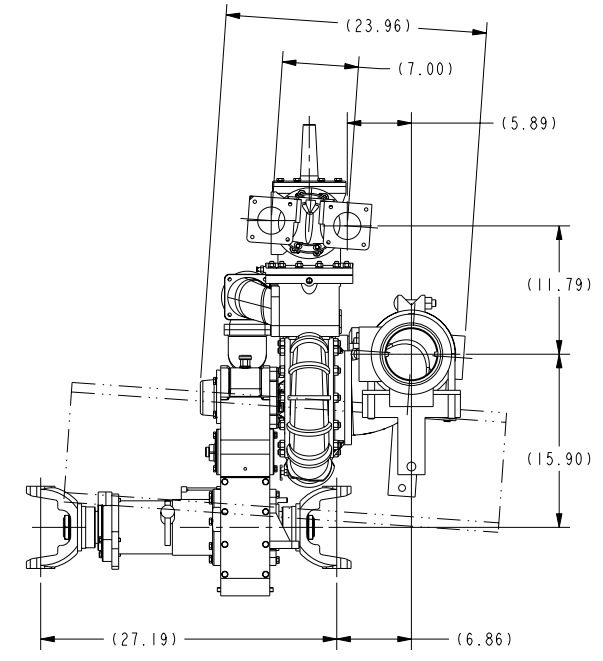
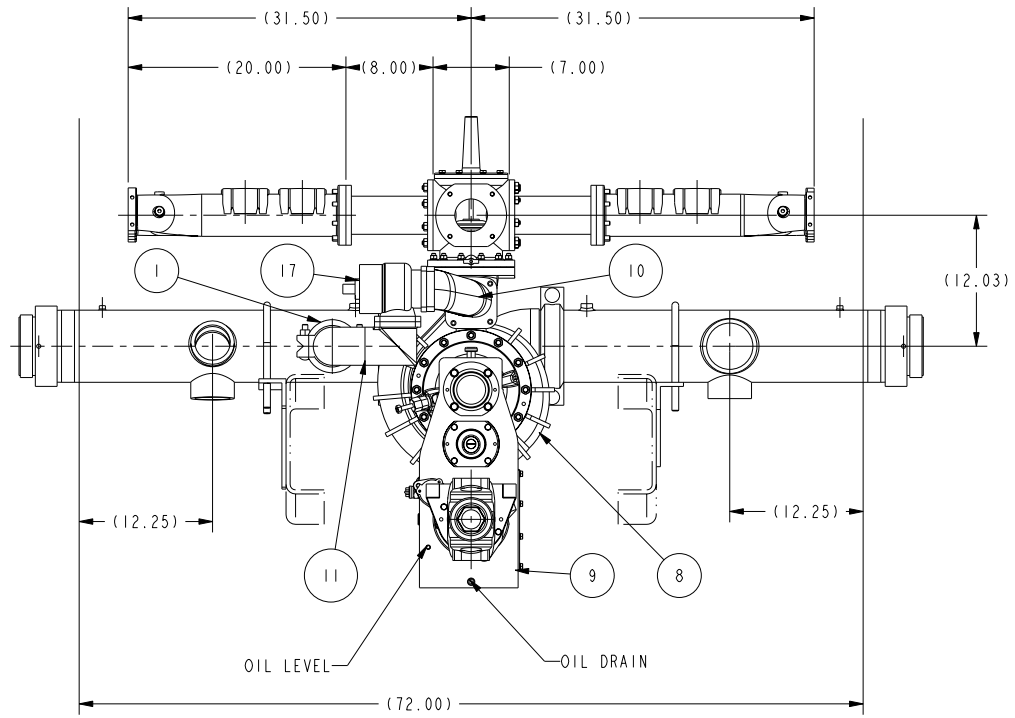
NAME:DWS OBJECT:DLD0607 DATE:19-Nov-03 14:26:05

NO.	DESCRIPTION	PART NO.	QTY.
1	3" VICTAULIC COUPLING, GRUVLOK	I080323	1
2	ADAPTER - 6.0 NPT FE X 4.5 NH MALE	I603502	2
3	ASSY - DIS WYE, 20", 3103503	YE03503	2
4	ASSY - DIS. EXT., LS, PS	YE09300	2
5	BRACKET - MOUNTING, 6" PIPE	4016200	1
6	BRACKET - MOUNTING, 6" PIPE	4016300	1
7	COUPLING - 6.0 GROOVED/PAINTED	I080350	2
8	DWG - LS PUMP, RH, PACKING	DLC0503	1
9	DWG - LSM PUMP TRANSMISSION	DLC1101	1
10	ELBOW - RELIEF VALVE, LDM	3101300	1
11	ELBOW - RV, LSM	3102302	1
12	EXTENSION - SUCTION, LSM, 32 LG	3104830	1
13	EXTENSION - SUCTION, LSM, 32 LG	3104831	1
14	HEAD ASSY - LS/PS	HL00203	1
15	KIT - LS 6" SWEEP TEE	KC02500	1
16	U-BOLT - 6" PIPE	4406800	2
17	VALVE - 3" R.V. BASIC	VR00300_SIMPLE	1

REVISIONS			
LTR	DESCRIPTION	DATE	CHG. NO.



SCALE 1/16



REMOVE SHARP EDGES		INCH (MILLIMETER)	THIRD ANGLE PROJECTION	OLD PART NO.	TOLERANCE EXCEPT AS NOTED 00 ±.03 000 ±.010 ANGLES ±1°	W.S. Darley & Co. CHIPPENAW FALLS, WI - MELROSE PARK, IL
MATERIAL DESCRIPTION:		MATERIAL NO.	PATTERN NO.	DR'N DWS	DATE 15-Nov-03	DWG - LSM PUMP FORWARD DIMENSIONAL
THIS DESIGN IS THE PROPERTY OF W.S. DARLEY AND CO. - UNAUTHORIZED REPRODUCTION IS PROHIBITED		ALL DIMENSIONS IN INCHES UNLESS NOTED		DO NOT SCALE PRINT	SCALE 1/8	

DLD0607