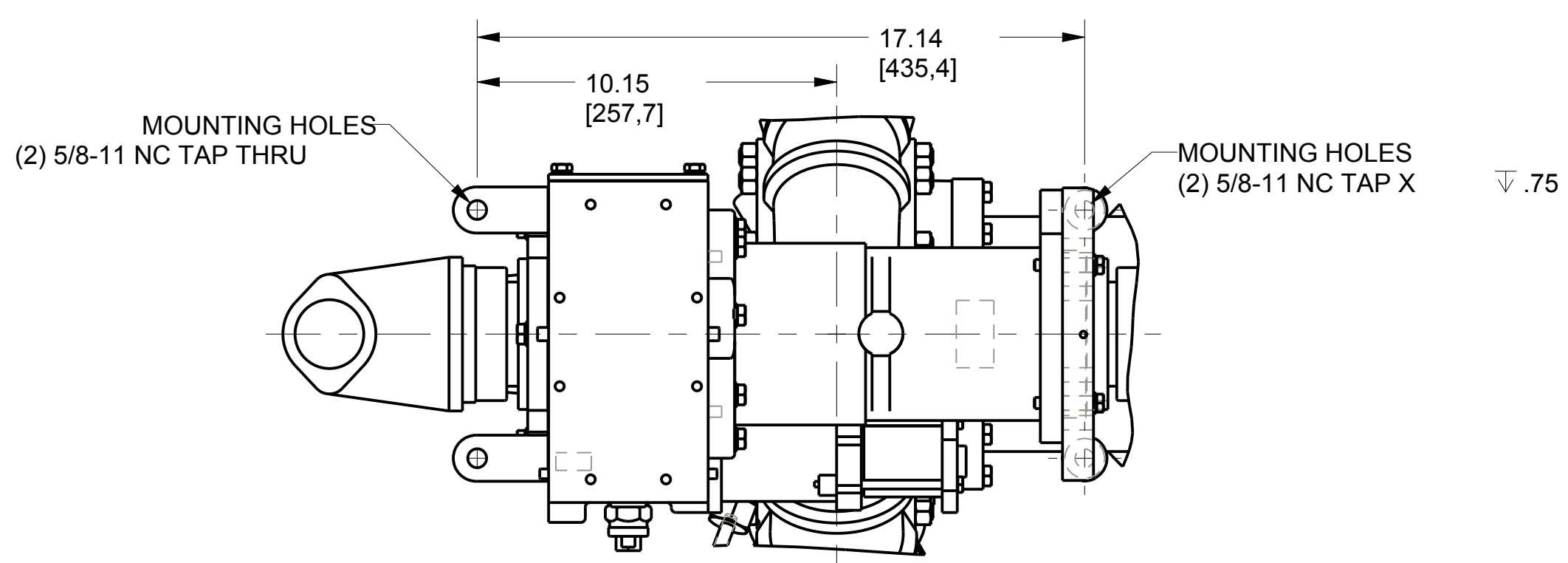
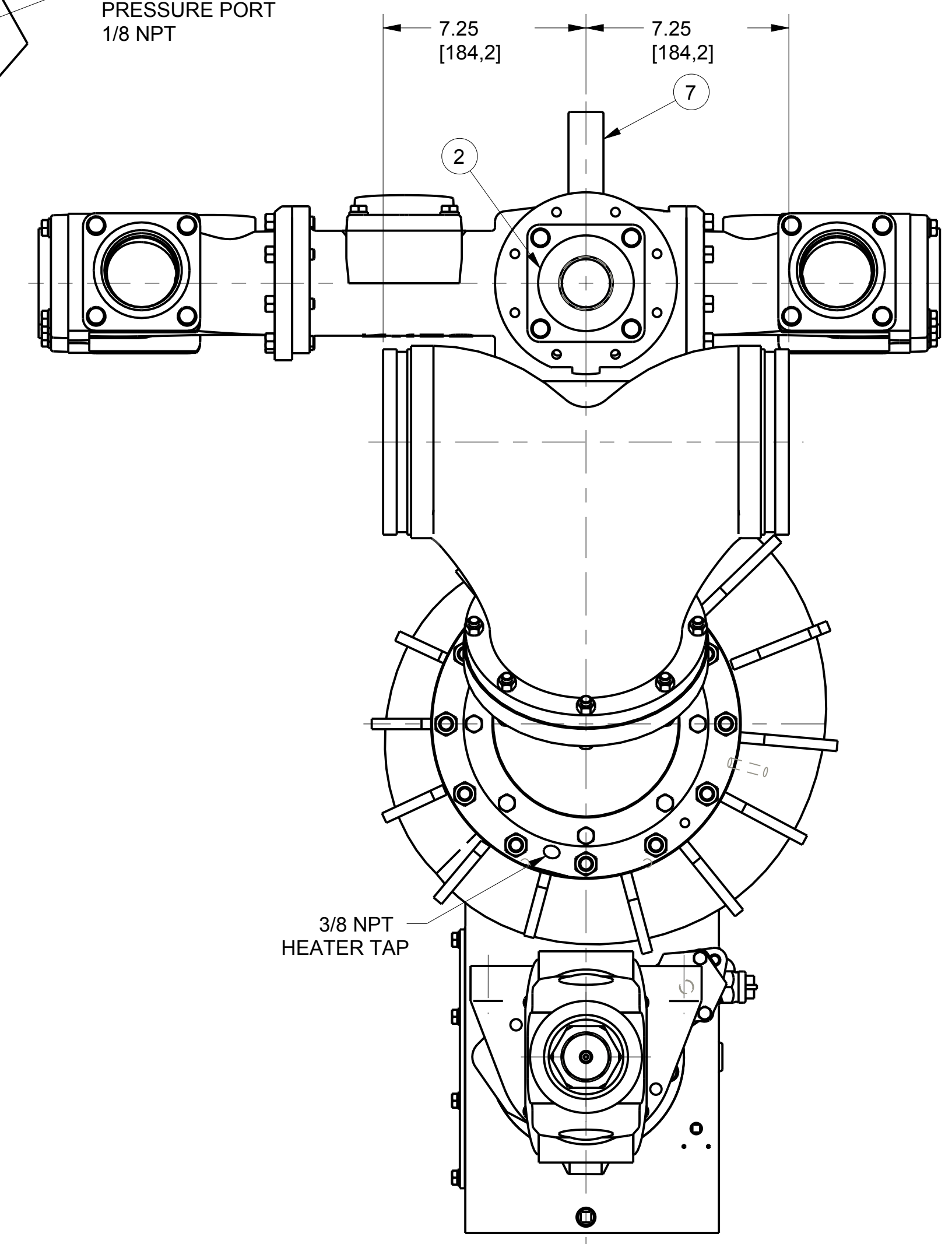
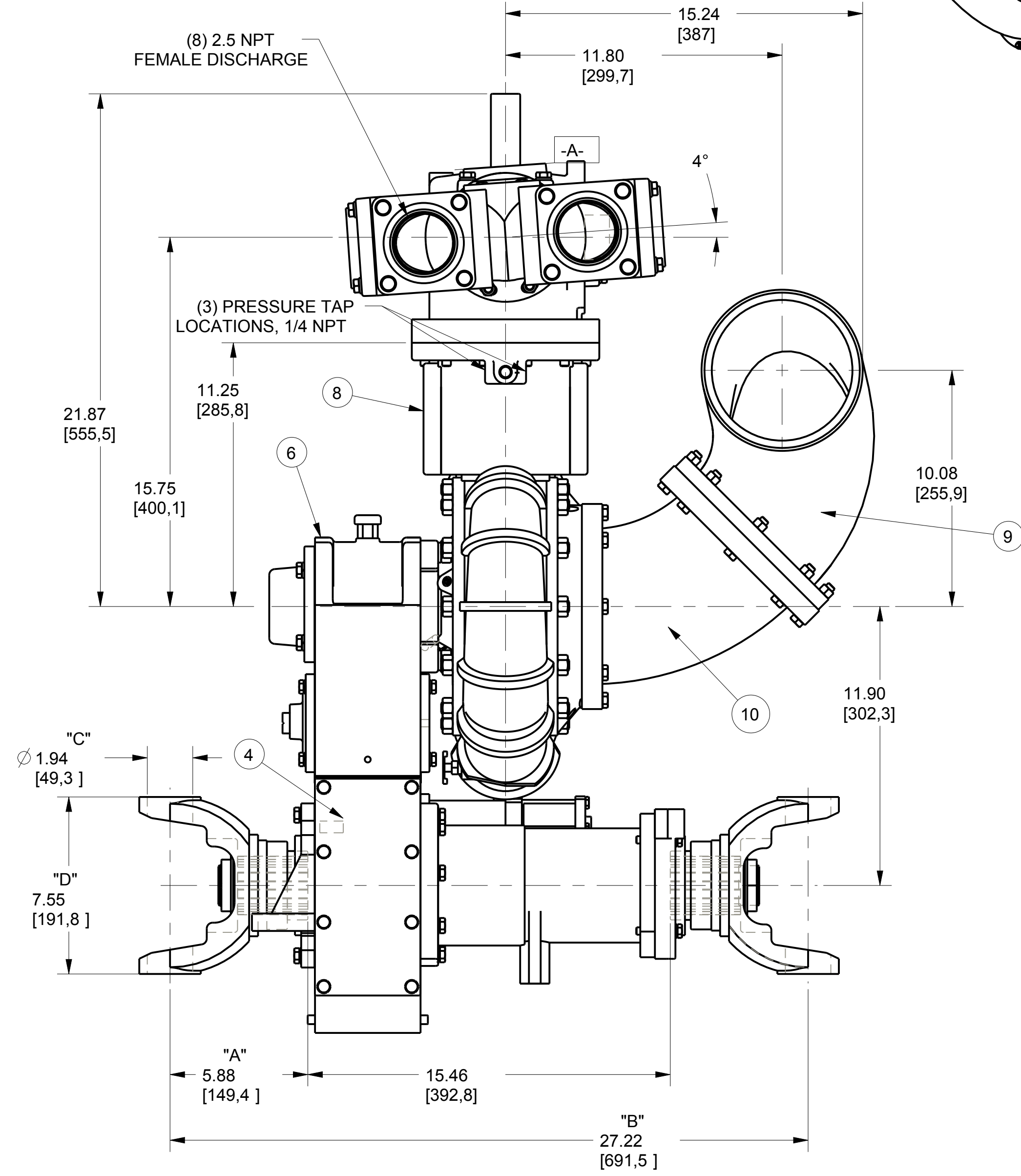
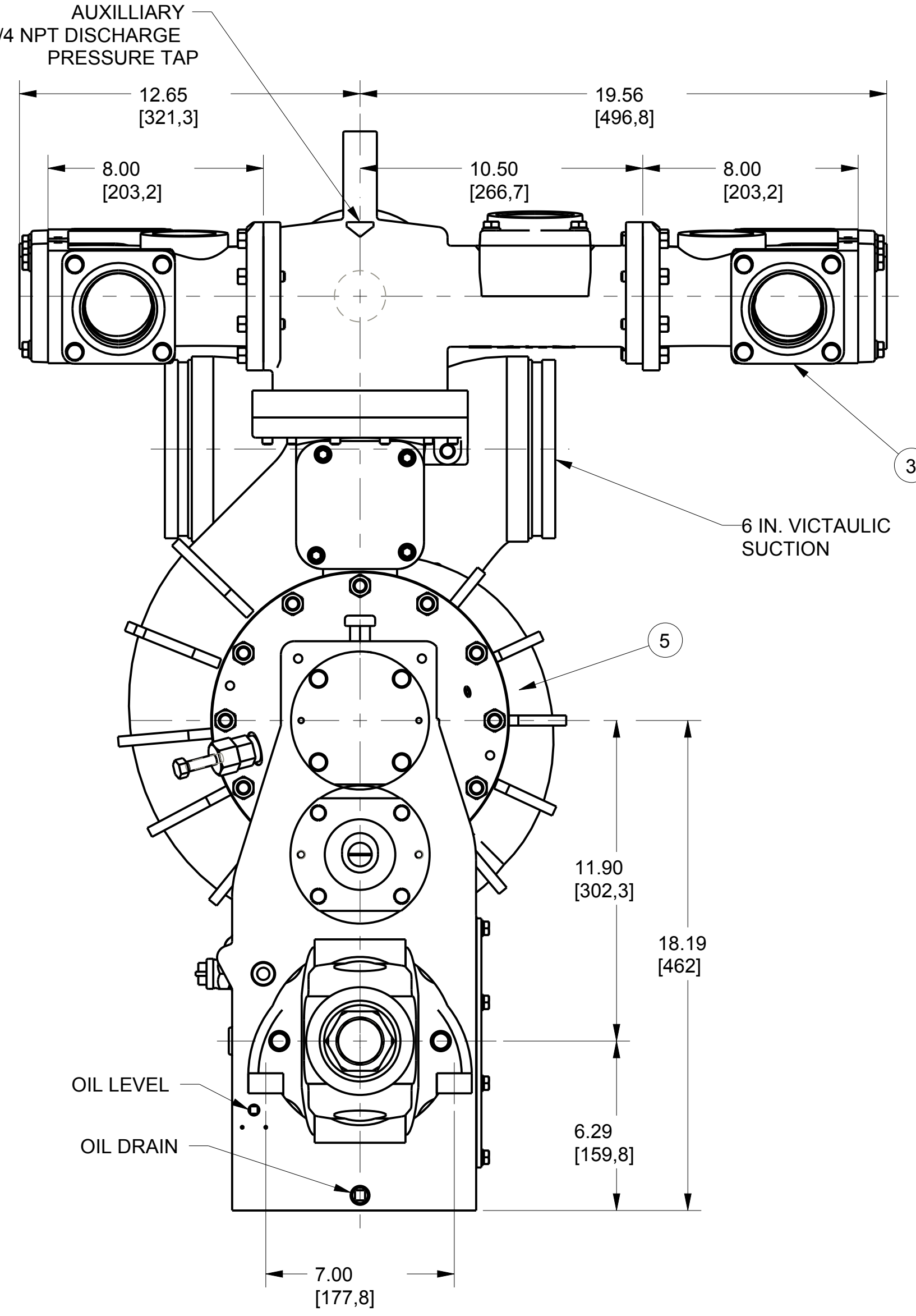
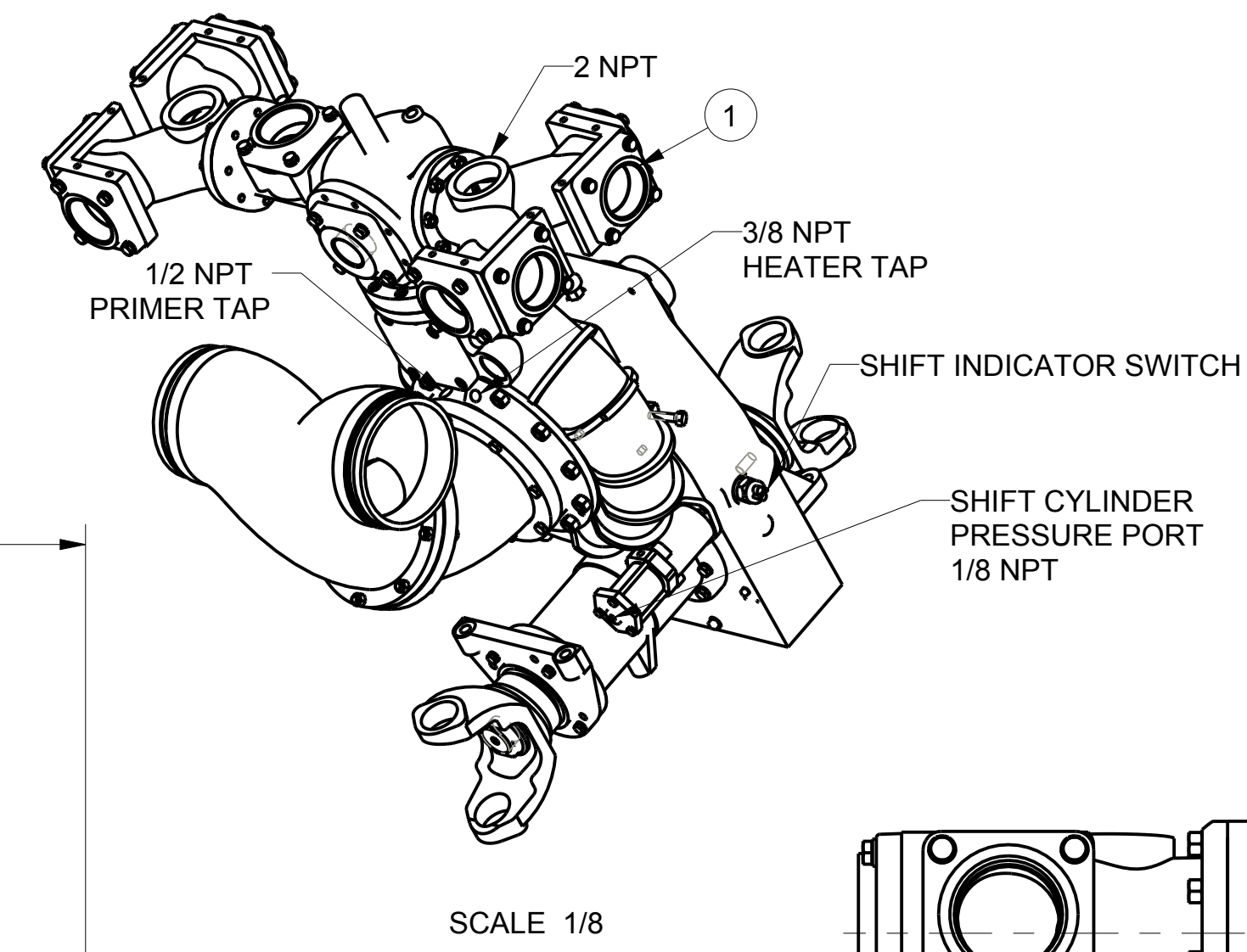


NO.	DESCRIPTION	PART NO.	QTY
1	ASSY - DISCHARGE WYE	YE03530	2
2	ASSY - FLANGE, 1.5 NPT, CI	YF00405	1
3	ASSY - FLANGE, 2.5 NPT, CI	YF00403	8
4	COVER - GEARCASE	1102511	1
5	PUMP - LS, PACKING	PL00203	1
6	TRANSMISSION - LSM	TM00501	1
7	HEAD ASSY - LS, OFFSET PASS	HL00200	1
8	KIT - LDM, LS, RV FLANGE BLIND	KC01600	1
9	KIT - LS 6" SWEEP TEE	KC02500	1
10	KIT - LS 6" ELBOW 45° WELD	KC02600	1

YOKE SERIES	W.S. DARLEY PART NO.	SPICER PART NO.	A	B	C	D
1480	4818000 (PA1214) ASSY AU01002	3-2-489	5.75	26.96	1.38	4.44
1550	4813200 (PA685) ASSY AU01001	4-2-679	5.75	26.96	1.38	5.25
1610	4813300 (PA686)	5-4-4971	6.12	27.70	1.88	5.31
1710	4813400 (PA687)	6-4-6611	5.62	26.70	1.94	6.09
1760	4813500 (PA688)	6.3-4-651	6.00	27.46	1.94	7.00
1810	4813600 (PA689)	6.5-4-3451	5.88	27.22	1.94	7.55

REVISIONS			
LTR	DESCRIPTION	DATE	CHG NO. APPR'D



REMOVE SHARP EDGES

INCH (MILLIMETER)

OLD PART NO. TOLERANCE EXCEPT AS NOTED

MATERIAL NO. PATTERN NO.

DRY DLW DATE 11DEC00

CHKD DWS TRCD SCALE 1/4

W.S. Darley & Co. ITASCA, IL - CHIPPEWA FALLS, WI

DWG - LSM/NEW KSM PUMP REAR DIMENSIONAL

DLD0604