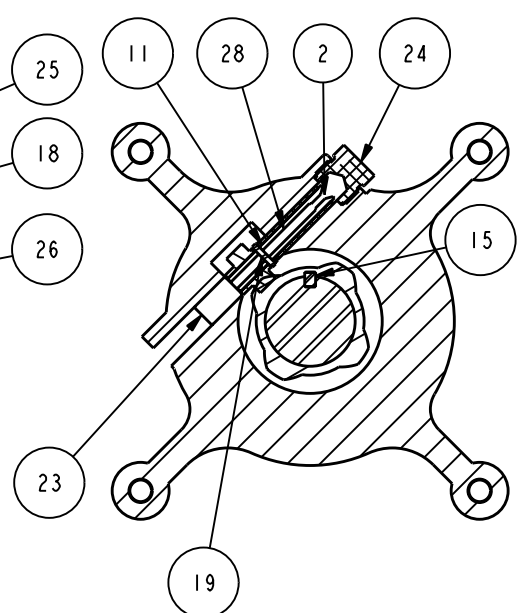
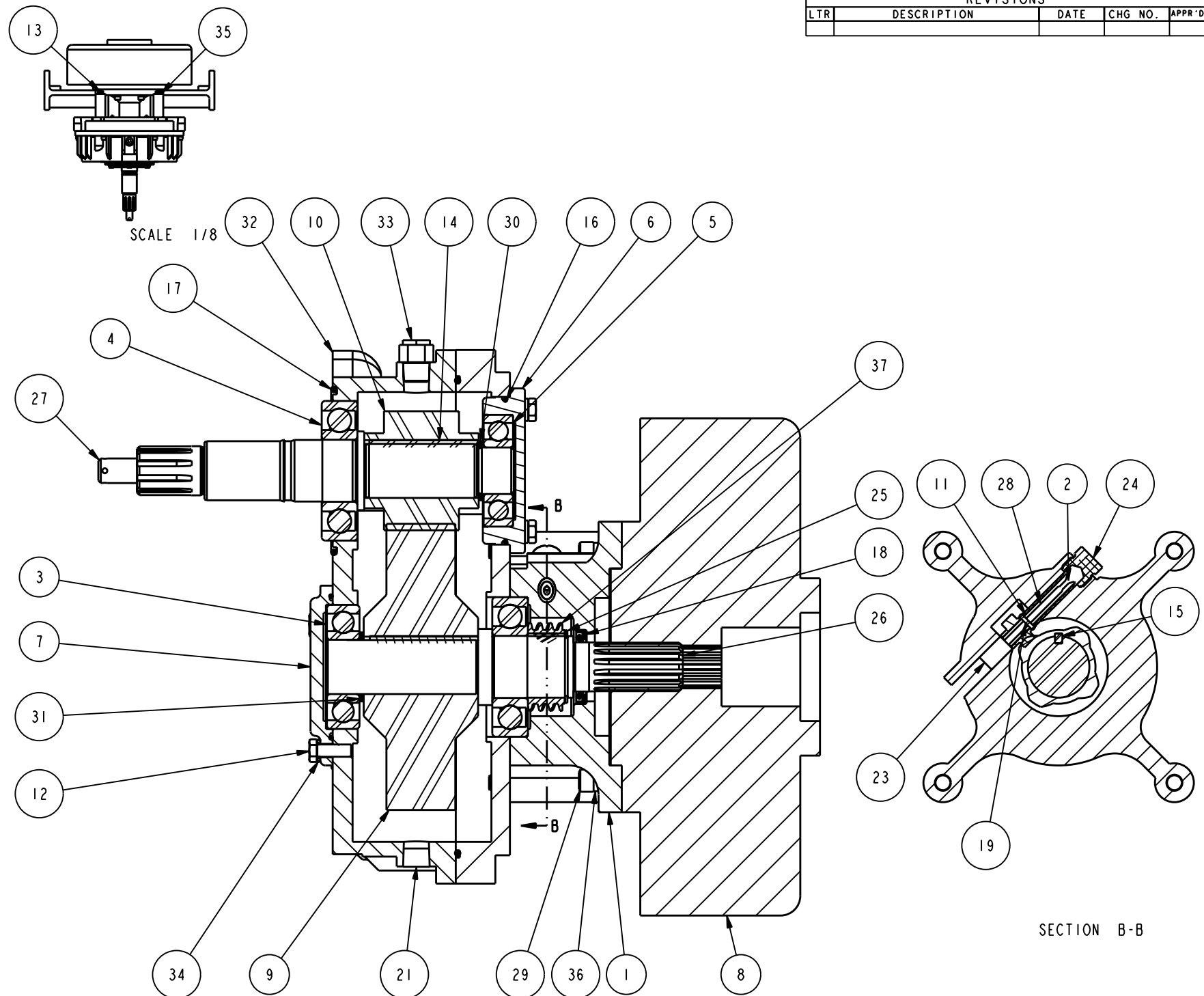
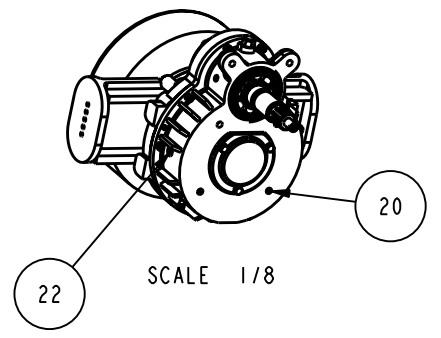


NO.	DESCRIPTION	PART NO.	QTY.
1	ADAPTER - CLUTCH, KSF	1641501	1
2	BEARING - OILITE, 0.314 ID	1760025	1
3	BEARING-BALL, 307S	1721902	1
4	BEARING-BALL, 308SF	1722001	2
5	BEARING-BALL, 6306.C3	1721805	1
6	CAP - BEARING, 0 OFFSET	2301521	1
7	CAP - BEARING, KS	2302301	1
8	CLUTCH - ELECTRIC, 1000 FT-LB, 12V	4212000	1
9	GEAR - DRIVE, LS, 12 DP	2714001	1
10	GEAR - PINION, LS, 12DP	2714104	1
11	GEAR - TACHOMETER, 6T, 12DP	2705600	1
12	HHCS - .313-18 x 0.88, GR5	5400019	7
13	HHCS - .375-16 x 3.00, GR5	5400044	4
14	KEY - SQ., 0.19 x 2.75	3602408	2
15	KEY - WOODRUFF, 605 (#61)	3602201	1
16	O-RING - 3.50 x 3.69 x 0.09	3601124	2
17	O-RING - 4.00 x 4.25 x 0.12	3601241	1
18	OIL SEAL - 1.250 ID X 1.878 OD	3600551	1
19	PIN - DRIVE LOK, 0.094 X 0.500	3605101	1
20	PLUG - PIPE, 0.125, ZN SOC HD	1080537	3
21	PLUG - PIPE, 0.375, MAG SOC HD	1080538	1
22	PLUG - PIPE, 0.375, ZN SOC HD	1080541	2
23	PLUG - TACH SHAFT, 0.75 LG	1141400	1
24	PLUG - TACH, .750-20, ALUM	1142100	1
25	RING - RETAINER, 5108-156	3600407	1
26	SHAFT - DRIVE, KSF/KSF	5007600	1
27	SHAFT - IMPELLER, LS REF.	5019302	1
28	SHAFT - TACH, PSF	5010500	1
29	SHCS - .375-16 x 1.25, GR8	5401024	8
30	SPACER - 1.19 x 1.50 x 0.13	3302200	1
31	SPACER - 1.38 x 1.75 x 0.10	3302000	1
32	TRANS - GEARCASE ONLY, LS	TG00403	1
33	VENT - GEARCASE, 3/8 NPT MALE	4401802	1
34	WASHER - LOCK, 0.313 ID	3603502	7
35	WASHER - LOCK, 0.375 ID	3603503	4
36	WASHER - LOCK, HC, 0.375 ID	3603512	8
37	WORM - TACHOMETR, TF, 4T	2709301	1

REVISIONS			
LTR	DESCRIPTION	DATE	CHG NO.



SECTION B-B



REMOVE SHARP EDGES

INCH (MILLIMETER)



OLD PART NO.

TOLERANCE EXCEPT AS NOTED

DR 'N JSS DATE 11-Apr-02

MATERIAL DESCRIPTION: ---

MATERIAL NO.

PATTERN NO.

DR 'N JSS DATE 11-Apr-02

THIS DESIGN IS THE PROPERTY OF W.S. DARLEY AND CO. UNAUTHORIZED REPRODUCTION IS PROHIBITED

ALL DIMENSIONS IN INCHES UNLESS NOTED

DO NOT SCALE PRINT

CHKD TED TRCD

SCALE 1/2

MODEL NAME: DLC0802, MDL CREATED: 11-Apr-02, SHEET: 1/1, C

W.S. Darley & Co. CHIPPewa FALLS, WI - MELROSE PARK, IL

TRANS - LSF, W/ELEC CLUTCH

DLC0802