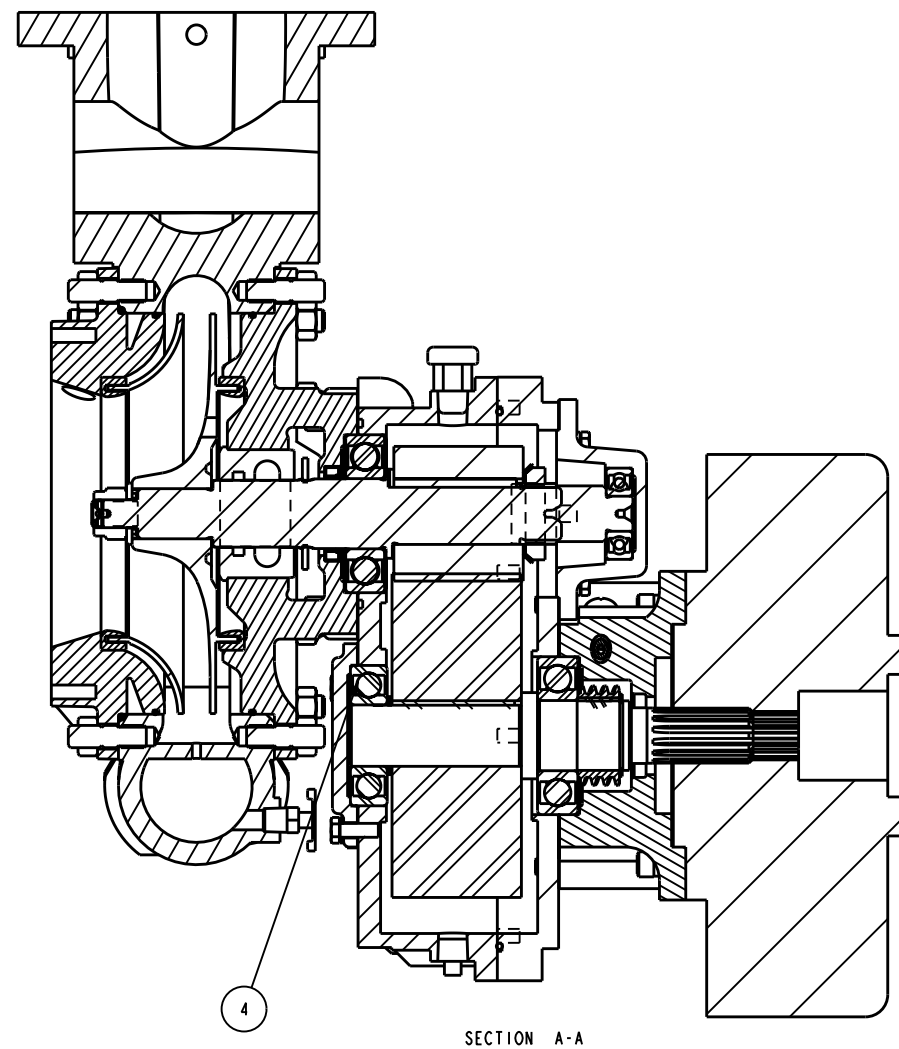
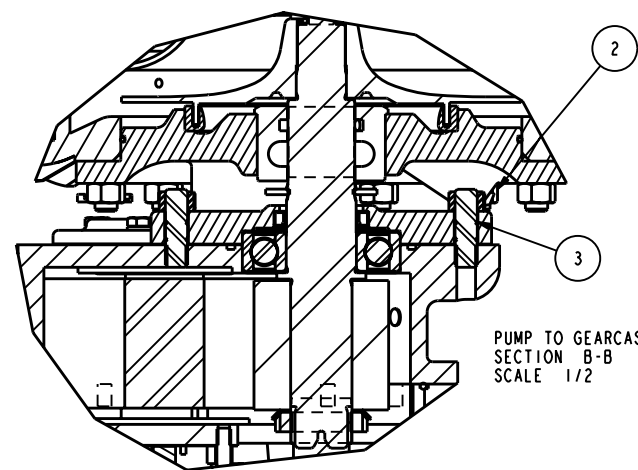
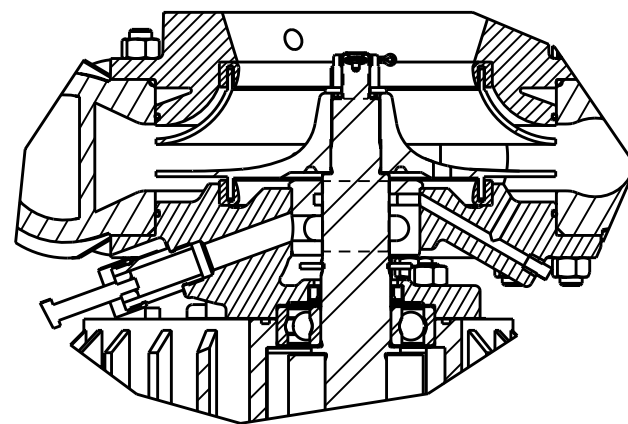
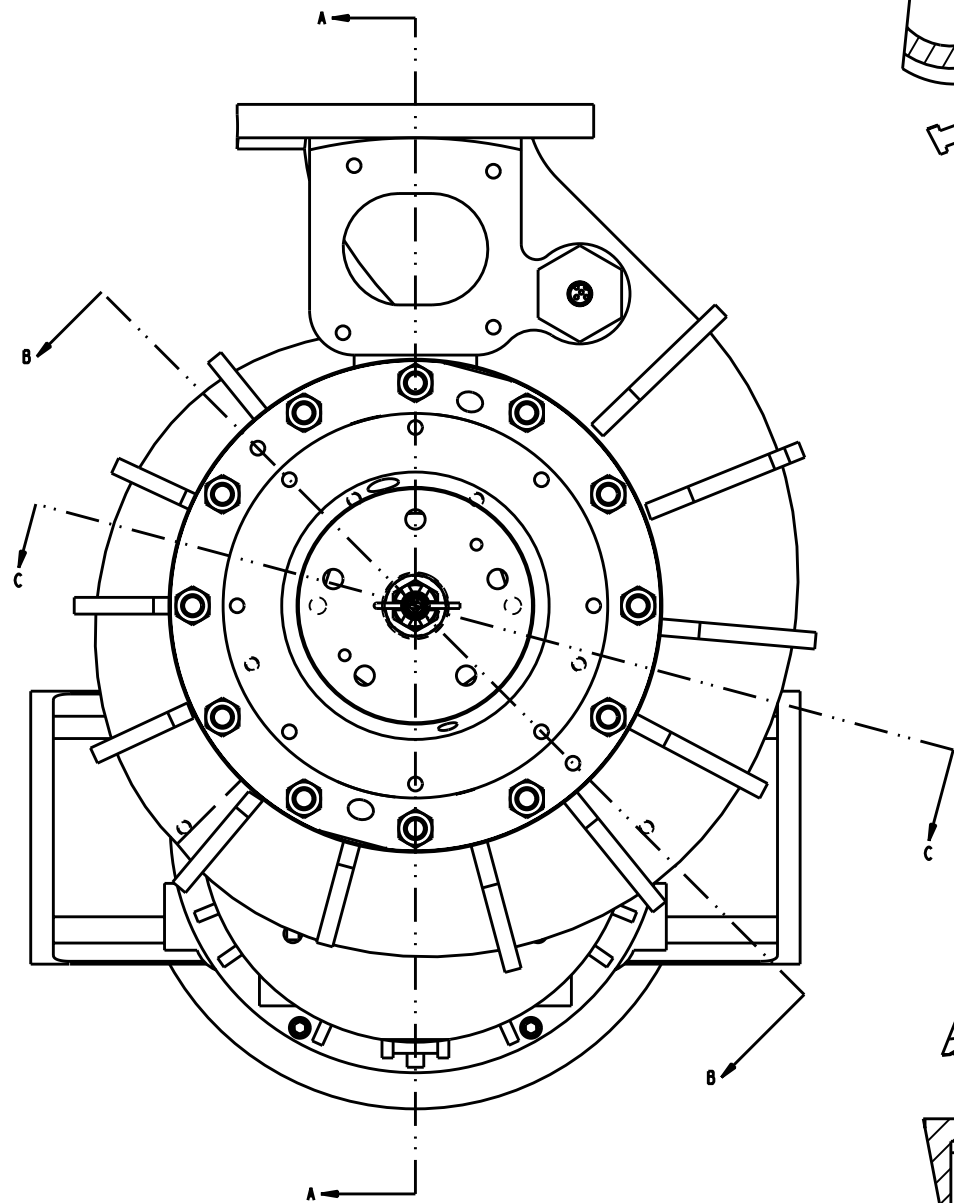


NO.	DESCRIPTION	PART NO.	QTY.
1	DWG - LS PUMP, RH ROT	DLC0501	1
2	HEX NUT - 1/2-13, GRADE 2	5403005	4
3	STUD - 0.500-13 X 1.750, GR5	3606401	4
4	TRANS - LSF, W/ELEC CLUTCH	TF00400	1

REVISIONS			
LTR	DESCRIPTION	DATE	CHG NO. APPR'D



REMOVE SHARP EDGES	INCH (MILLIMETER)	OLD PART NO.	TOLERANCE EXCEPT AS NOTED	W.S. Darley & Co. CHIPPERRA FALLS, WI - MELROSE PARK, IL
MATERIAL DESCRIPTION: ---	MATERIAL NO. ---	PATTERN NO. ---	DR: N. W. W. DATE 10-Feb-99	DWG - LSF PUMP CROSS SECTION
THIS DESIGN IS THE PROPERTY OF W.S. DARLEY AND CO. UNAUTHORIZED REPRODUCTION IS PROHIBITED	ALL DIMENSIONS IN INCHES UNLESS NOTED	DO NOT SCALE PRINT	CHD TRCD	SCALE 1/2 DLC0700