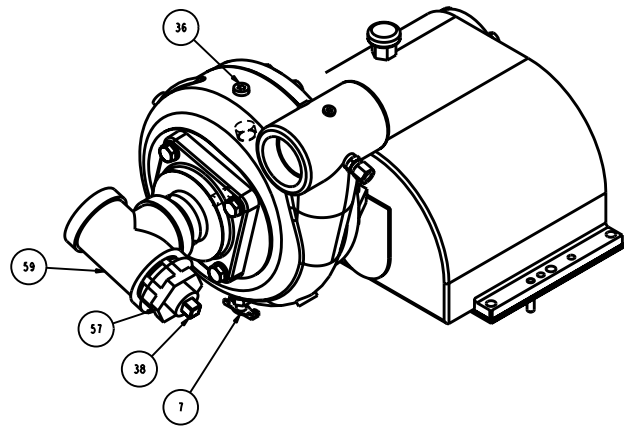
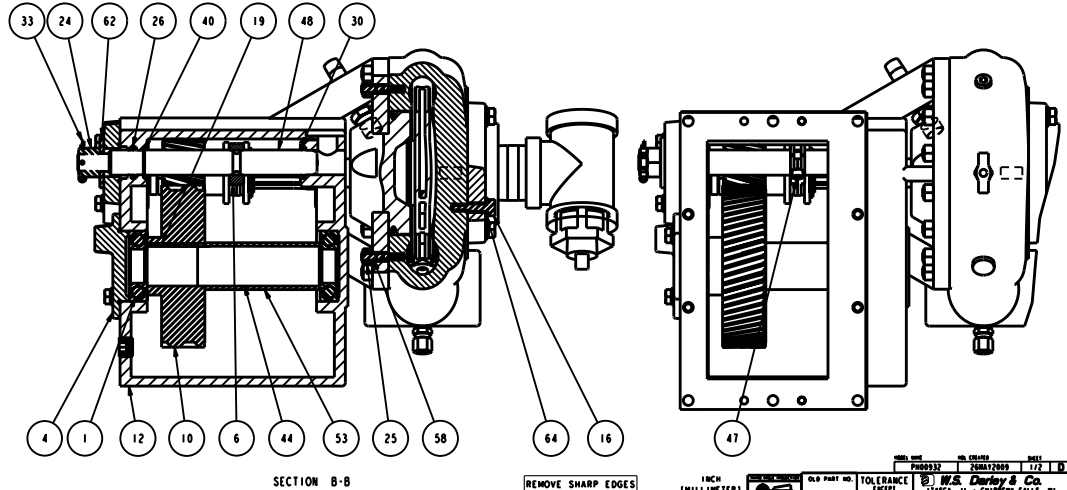
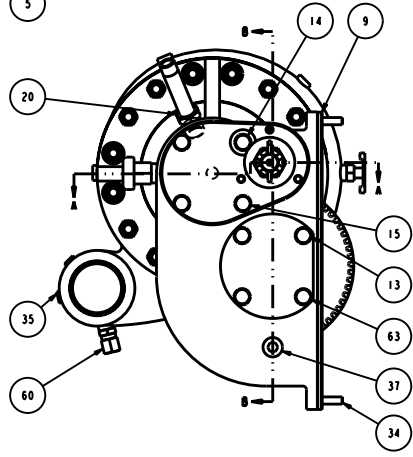
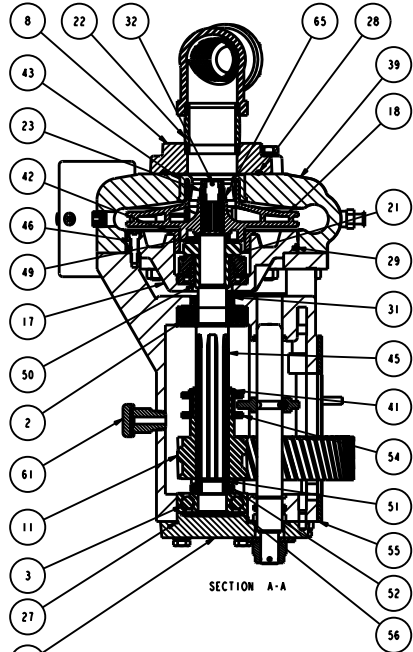


NO.	DESCRIPTION	PART NO.	QTY.
1	BEARING-BALL, 206SFF	-	2
2	BEARING-BALL, 305SFF	-	1
3	BEARING-BALL, 7305B.HP.UA	-	1
4	CAP - BEARING, KDM	-	1
5	CAP - BEARING, AUX TRANS	-	1
6	COLLAR - SHIFT, KSMC	-	1
7	DRAINCOCK - 0.250 NPT, 9HC BR	-	1
8	FLANGE - 1.5 NPT, O-RING, CDI	-	1
9	GASKET - GEARCASE COVER, LDMH	-	2
10	GEAR - IDLER, PSRH, 63T, 12DP	-	1
11	GEAR - PINION, PSRH, 26T, 12DP	-	1
12	GEARCASE - LDMH	-	1
13	HMCS - .313-18 x 0.75, GR5	-	4
14	HMCS - .313-18 x 0.88, GR5	-	1
15	HMCS - .313-18 x 1.25, GR5	-	3
16	HMCS - .375-16 x 1.25, GR5	-	4
17	HOUSING - MECHANICAL SEAL, S	-	1
18	IMPELLER - SH, MECH SEAL	-	1
19	KEY - SO., 0.19 x 0.19 x 1.75, GR2	-	1
20	KIT - FLUSH, MECH SEAL	-	1
21	MECHANICAL SEAL - .875" LSRH	-	1
22	NIPPLE - PIPE, 1.500, CLOSE, BL	-	1
23	NUT - CASTLE, .500-20, 303	-	1
24	NUT - CASTLE, .625-18, 303 SST	-	1
25	NUT - HEX, .375-16, GR2	-	16
26	O-RING - 0.88 x 1.12 x 0.12	-	1
27	O-RING - 2.38 x 2.50 x 0.06	-	2
28	O-RING - 3.12 x 3.38 x 0.12	-	1
29	O-RING - 5.63 x 5.88 x 0.12	-	1
30	OIL SEAL - 0.875 ID X 1.129 OD	-	1
31	OIL SEAL - 0.984 ID X 1.499 OD	-	1
32	PIN - COTTER, .094 x 1.00, SST	-	1
33	PIN - COTTER, .125 x 1.00, SST	-	1
34	PIN - BOWEL, .250 X 1.25, GR8	-	2
35	PLUG - PIPE, 0.125, SST SOC HD	-	1
36	PLUG - PIPE, 0.250, ZINC SOC HD	-	3
37	PLUG - PIPE, 0.375, ZN SOC HD	-	1
38	PLUG - PIPE, 0.750 SST SO HD	-	1
39	PUMP CASING - KDM/LDM/KSPAH	-	1
40	RING - RETAINER, S103-87	-	1
41	RING - RETAINER, S160-137	-	1
42	SEAL RING - E, INTERSTAGE	-	1
43	SEAL RING - S/SH	-	1
44	SHAFT - IDLER GEAR, SH	-	1
45	SHAFT - PUMP, 3RD STAGE, S	-	1
46	SHCS - .250-20 X 0.88, SST	-	6
47	SHCS - .250-20 x 1.00, GR8	-	1
48	SHIFT BAR, PSRH	-	1
49	SLEEVE - LSPH, EXTERNAL	-	1
50	SLEEVE - LSPH, INTERNAL	-	1
51	SPACER - 0.75 x 1.50 x 0.50	-	1
52	SPACER - 1.26 x 1.50 x 0.30	-	1
53	SPACER - 1.38 x 1.63 x 3.98	-	1
54	SPACER - 2ND STAGE PINION	-	1
55	SPACER - PSRH, 1.30 RATIO	-	1
56	SPRING - WAVE, SMALLLEY	-	1
57	STRAINER, 3RD STAGE	-	1
58	STUD - 0.375-16 x 1.500, GR5	-	16
59	TEE - PIPE, 1.500, BLK	-	1
60	TUBE FITTING - STR, .31 x .25	-	1
61	VENT - GEARCASE	-	1
62	WASHER - FLAT, 5/8, STEEL	-	1
63	WASHER - LOCK, 0.313 ID	-	8
64	WASHER - LOCK, 0.375 ID	-	4
65	WASHER - 0.52 x 0.94 x .12 303	-	1



REVISIONS			
LTB	DESCRIPTION	DATE	CHG NO. APPR

REMOVE SHARP EDGES

1 INCH (25.4 MILLIMETER)

INTERNAL DESCRIPTION: AS LISTED

DATE: 2004/2009

SCALE: 1/2

OLD PART NO.:

TOLERANCE: AS SHOWN

MATERIAL NO.:

PATTERN NO.:

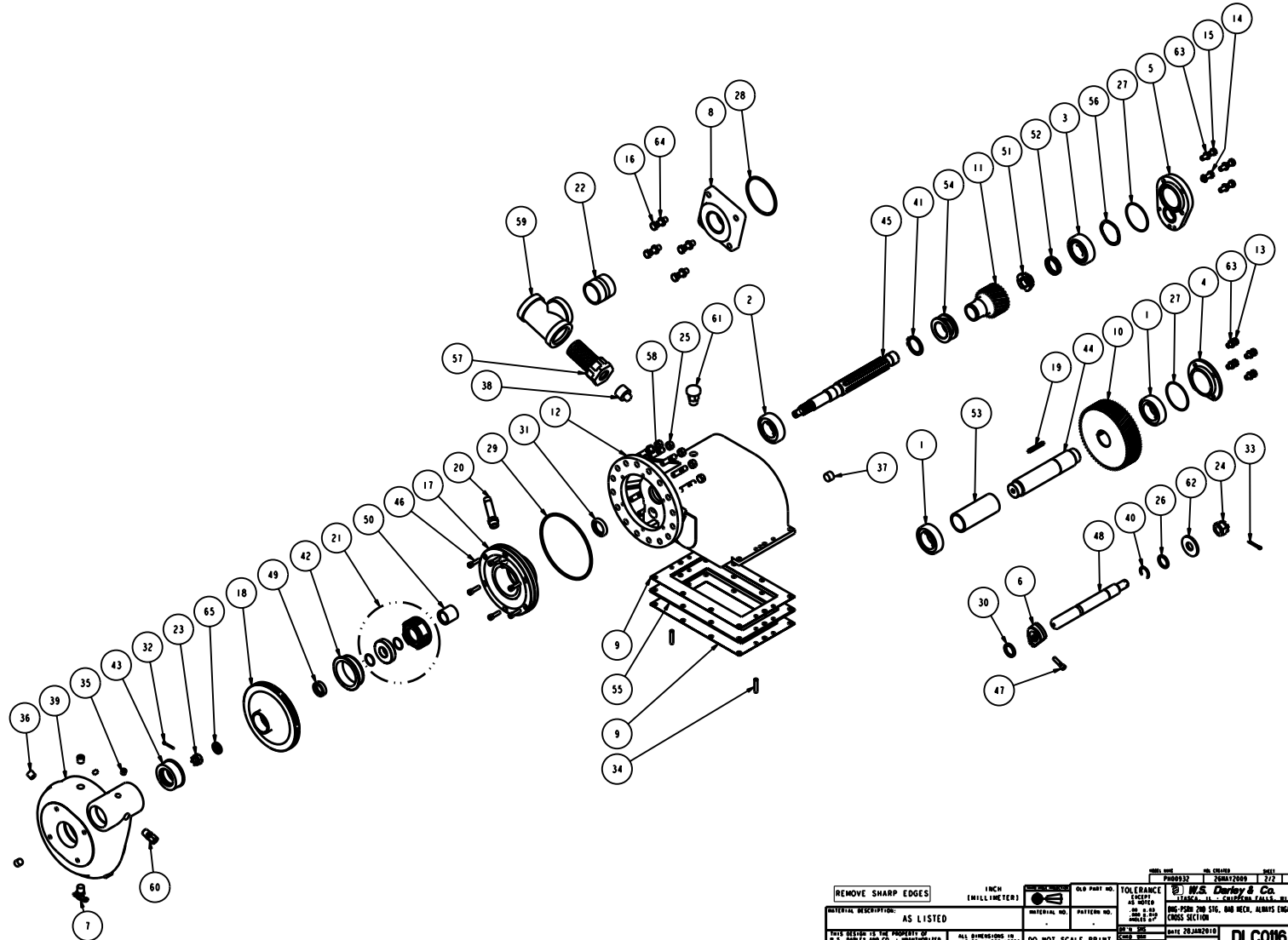
DATE: 2004/2009

SCALE: 1/2

W.S. Durley & Co.
 1000 W. 10th St., Fairport, N.Y. 14455
 INC. FROM 200 SIC. DIV. REC. ALWAYS ENGAGE

DLC0116

NO.	DESCRIPTION	PART NO.	QTY.
1	BEARING-BALL, 206SFF	-	2
2	BEARING-BALL, 305SFF	-	1
3	BEARING-BALL, 7305B.WP.UA	-	1
4	CAP - BEARING, KDM	-	1
5	CAP - BEARING, AUX TRANS	-	1
6	COLLAR - SHIFT, KSMC	-	1
7	DRAINCOCK - 0.250 NPTM, 9KC BR	-	1
8	FLANGE - 1.5 NPT, O-RING, CDI	-	1
9	GASKET - GEARCASE COVER, LDMH	-	2
10	GEAR - IDLER, PSRH, 63T, 12DP	-	1
11	GEAR - PINION, PSRH, 26T, 12DP	-	1
12	GEARCASE - LDMH	-	1
13	HMCS - .313-18 ± 0.75, GR5	-	4
14	HMCS - .313-18 ± 0.88, GR5	-	1
15	HMCS - .313-18 ± 1.25, GR5	-	3
16	HMCS - .375-16 ± 1.25, GR5	-	4
17	HOUSING - MECHANICAL SEAL, S	-	1
18	IMPELLER - SH, MECH SEAL	-	1
19	KEY - SO., 0.19 ± 0.19 ± 1.75, GR2	-	1
20	KIT - FLUSH, MECH SEAL	-	1
21	MECHANICAL SEAL - .875" LSRH	-	1
22	NIPPLE - PIPE, 1.500, CLOSE, BL	-	1
23	NUT - CASTLE, .500-20, 303	-	1
24	NUT - CASTLE, .625-18, 303 SST	-	1
25	NUT - HEX, .375-16, GR2	-	16
26	O-RING - 0.88 ± 1.12 ± 0.12	-	1
27	O-RING - 2.38 ± 2.50 ± 0.06	-	2
28	O-RING - 3.12 ± 3.38 ± 0.12	-	1
29	O-RING - 5.63 ± 5.88 ± 0.12	-	1
30	OIL SEAL - 0.875 ID X 1.129 OD	-	1
31	OIL SEAL - 0.984 ID X 1.499 OD	-	1
32	PIN - COTTER, .094 ± 1.00, SST	-	1
33	PIN - COTTER, .125 ± 1.00, SST	-	1
34	PIN - BOWEL, .250 X 1.25, GR8	-	2
35	PLUG - PIPE, 0.125, SST SOC HD	-	2
36	PLUG - PIPE, 0.250, ZINC SOC HD	-	3
37	PLUG - PIPE, 0.375, ZN SOC HD	-	1
38	PLUG - PIPE, 0.750 SST SO HD	-	1
39	PUMP CASING - KDM/LDM/KSPAH	-	1
40	RING - RETAINER, S103-87	-	1
41	RING - RETAINER, S160-137	-	1
42	SEAL RING - E, INTERSTAGE	-	1
43	SEAL RING - S/SH	-	1
44	SHAFT - IDLER GEAR, SH	-	1
45	SHAFT - PUMP, 3RD STAGE, S	-	1
46	SHCS - .250-20 X 0.88, SST	-	6
47	SHCS - .250-20 ± 1.00, GR8	-	1
48	SHIFT BAR, PSRH	-	1
49	SLEEVE - LSPH, EXTERNAL	-	1
50	SLEEVE - LSPH, INTERNAL	-	1
51	SPACER - 0.75 ± 1.50 ± 0.50	-	1
52	SPACER - 1.26 ± 1.50 ± 0.30	-	1
53	SPACER - 1.38 ± 1.63 ± 3.98	-	1
54	SPACER - 2ND STAGE PINION	-	1
55	SPACER - PSRH, 1.30 RATIO	-	1
56	SPRING - WAVE, SMALLLEY	-	1
57	STRAINER, 3RD STAGE	-	1
58	STUD - 0.375-16 X 1.500, GR5	-	16
59	TEE - PIPE, 1.500, BLK	-	1
60	TUBE FITTING - STR, .31 ± .25	-	1
61	VENT - GEARCASE	-	1
62	WASHER - FLAT, 5/8, STEEL	-	1
63	WASHER - LOCK, 0.313 ID	-	8
64	WASHER - LOCK, 0.375 ID	-	4
65	WASHER - 0.52 X 0.94 X .12 303	-	1



REVISIONS			
LTB	DESCRIPTION	DATE	CHG NO. APPR

REMOVE SHARP EDGES

1 INCH (25.4 MILLIMETER)

OLD PART NO. _____

TOLERANCE AS SHOWN

MATERIAL NO. _____

PATTERN NO. _____

DATE 28 JAN 2010

SCALE 1:1

DATE 28 JAN 2010

SCALE 1:1

DL0116

THIS DESIGN IS THE PROPERTY OF D. S. BAKER AND CO. UNAUTHORIZED REPRODUCTION IS PROHIBITED.

ALL DIMENSIONS IN INCHES UNLESS NOTED

DO NOT SCALE PRINT

DATE 28 JAN 2010

SCALE 1:1

DL0116