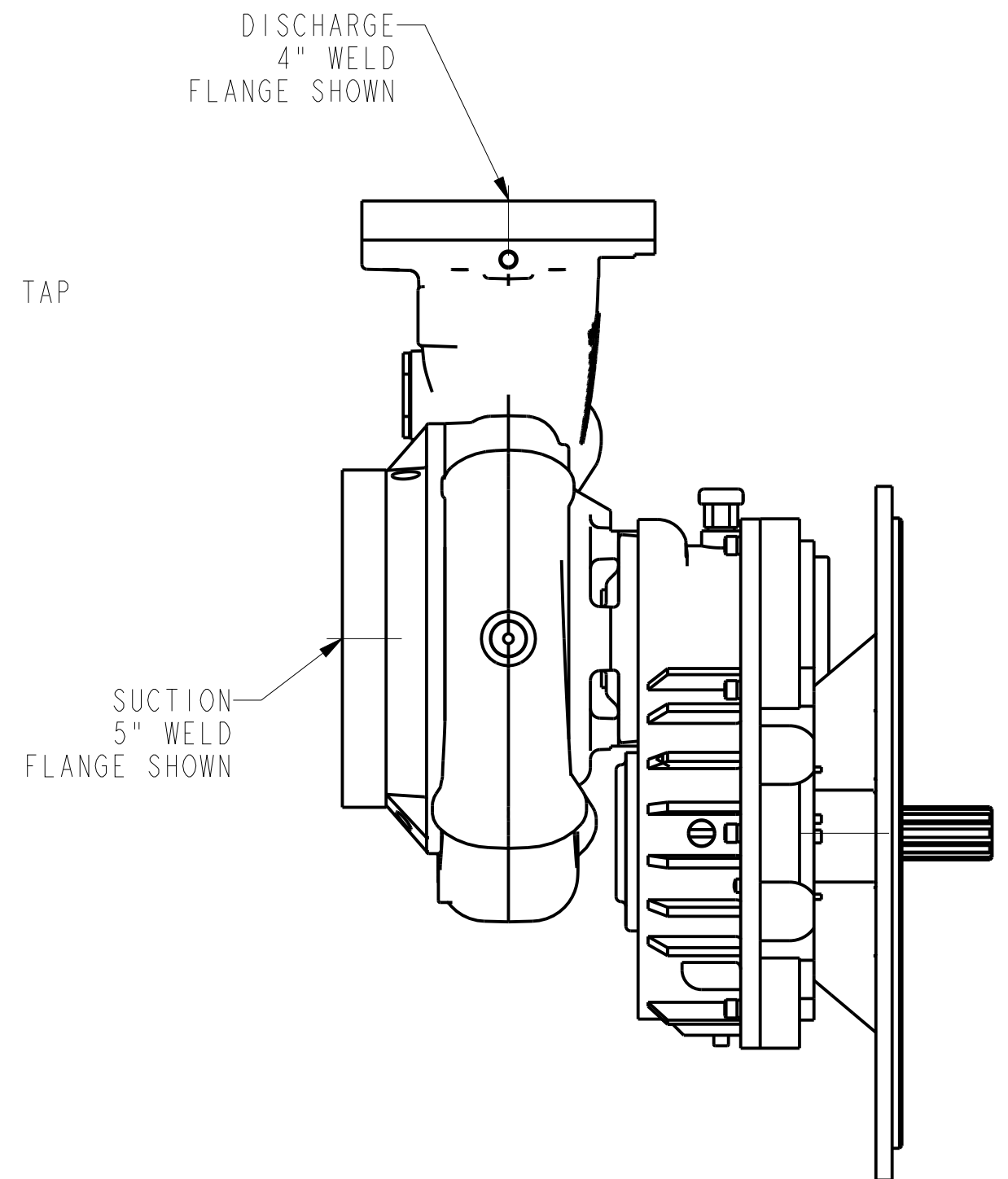
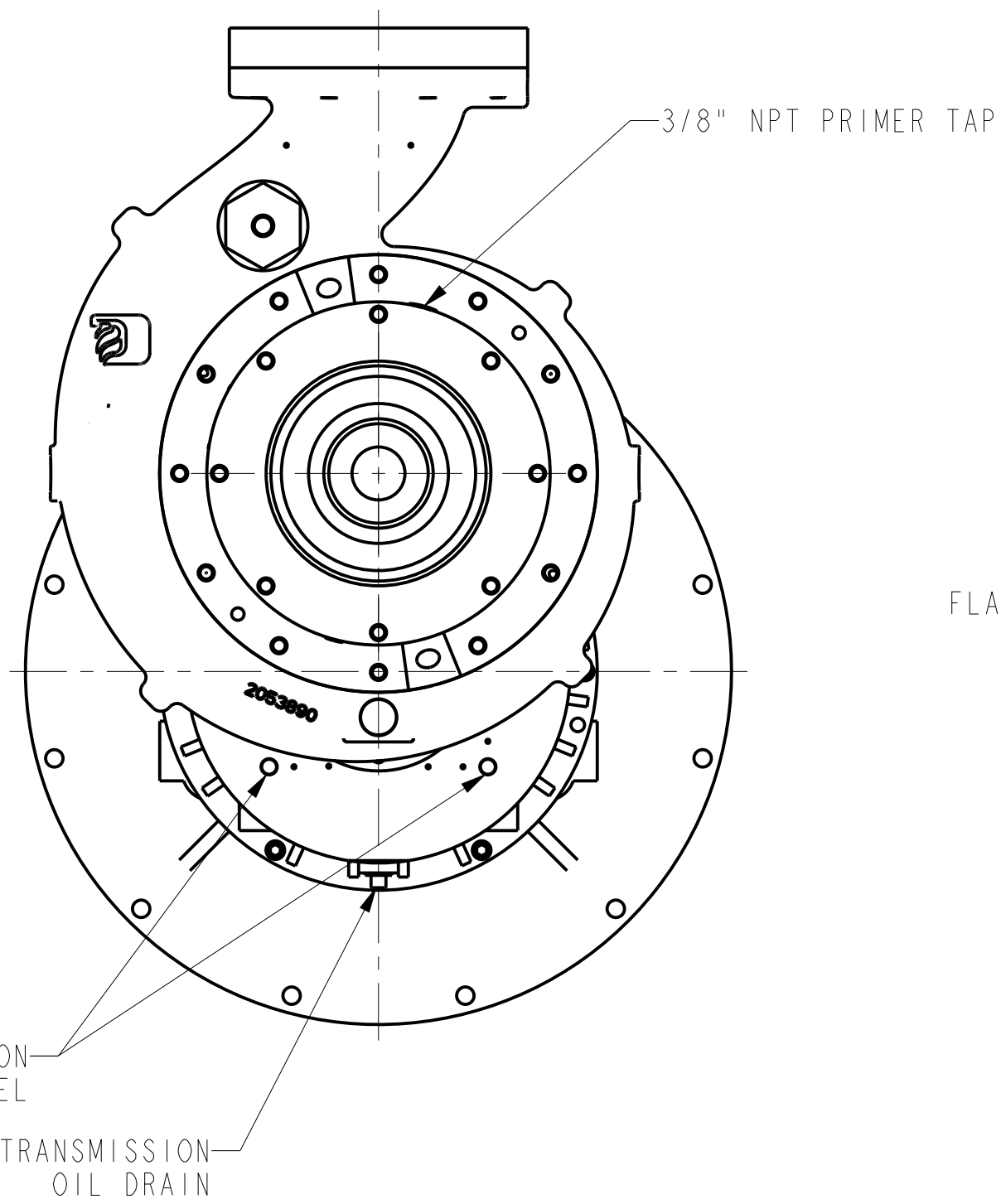
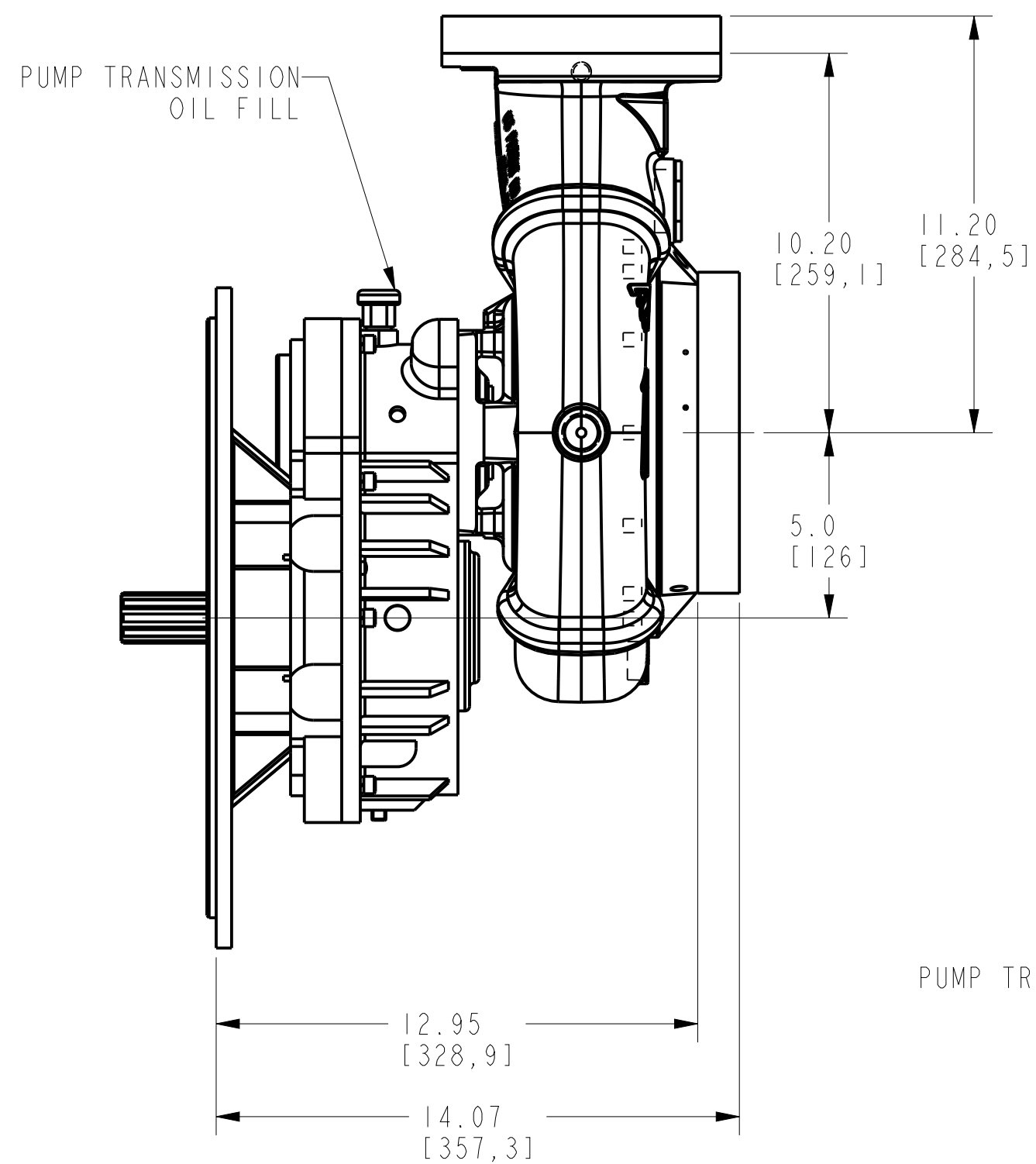
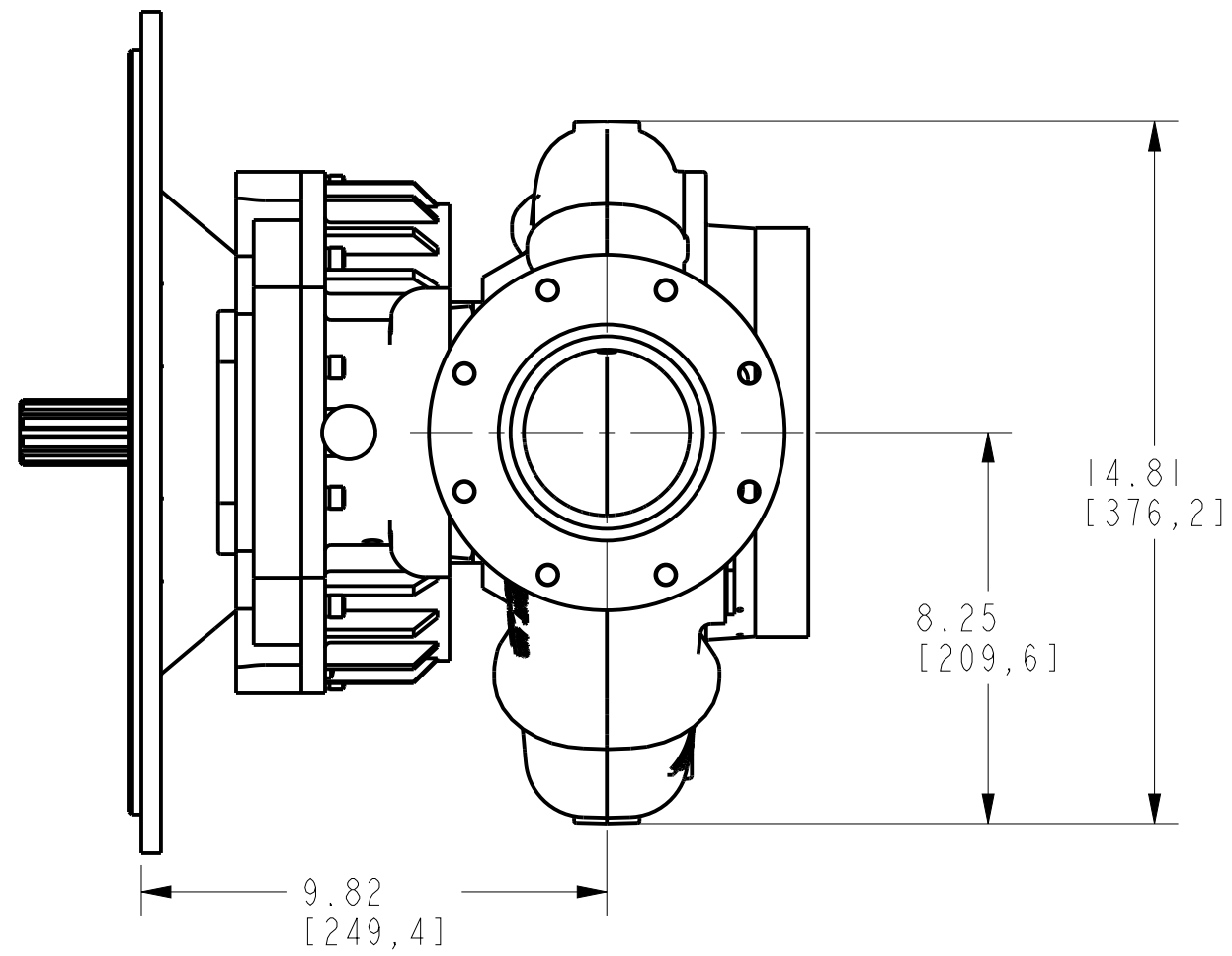


REVISIONS				
LTR	DESCRIPTION	DATE	CHG NO.	APPR'D



REMOVE SHARP EDGES

INCH [MILLIMETER]



OLD PART NO.
PATTERN NO.

TOLERANCE EXCEPT AS NOTED
.00 ± .03
.000 ± .010
ANGLES ± 1°

W.S. Darley & Co.
CHIPPEWA FALLS, WI - MELROSE PARK, IL

MATERIAL DESCRIPTION:

DO NOT SCALE PRINT

DR'N TED
CHKD WAH
TRCD

DATE 12-Dec-16
SCALE 1/4

DKD0309

THIS DESIGN IS THE PROPERTY OF W.S. DARLEY AND CO. - UNAUTHORIZED REPRODUCTION IS PROHIBITED

ALL DIMENSIONS IN INCHES UNLESS NOTED

MODEL NAME: DKD0309
MDL CREATED: 12DEC2016
SHEET: 1/1

DRW - KSE, PUMP ONLY