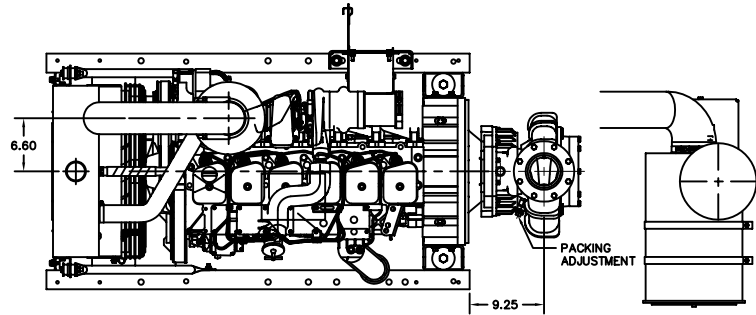
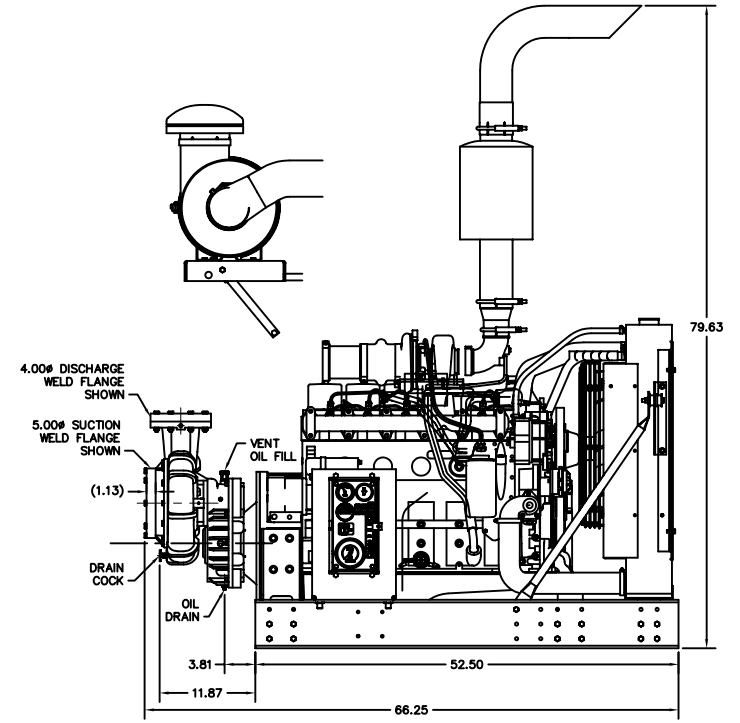
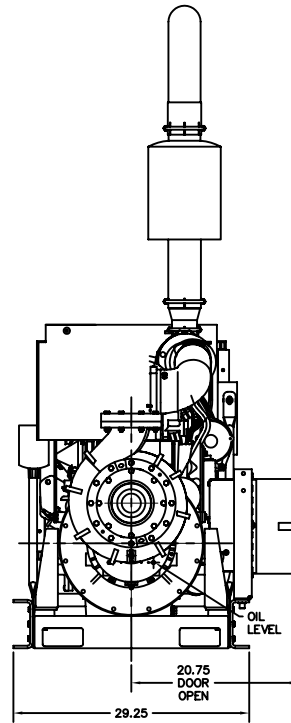
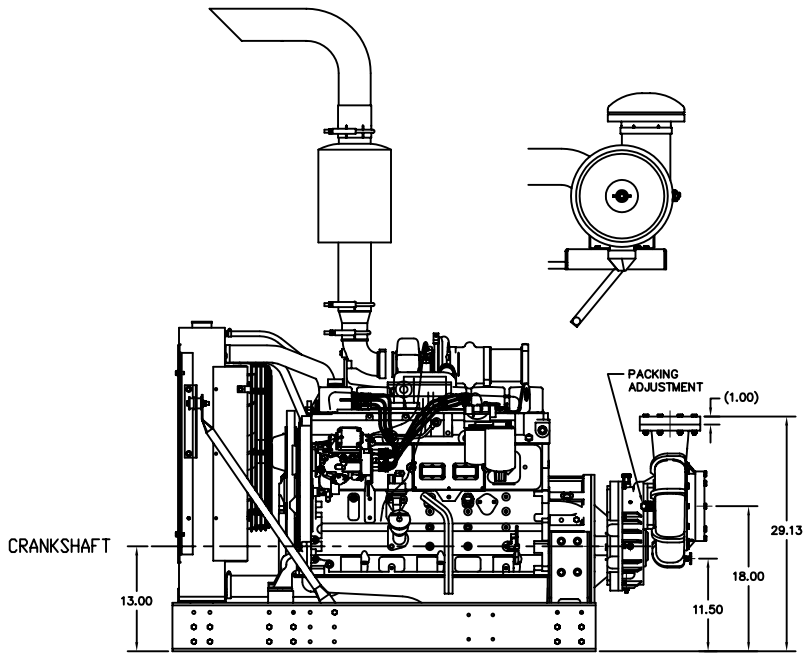


REVISIONS				
LTR	DESCRIPTION	DATE	CHG. NO.	APP'D



CUSTOMER TO MOUNT
AIR INTAKE AND FILTER
AS NEEDED.

APPROXIMATE WEIGHT 1805 LBS



INCH
[MILLIMETER]

MATERIAL DESCRIPTION KSE 750 ON CUMMINS QSB 5.9 P ENGINE		MATERIAL NO.	PATTERN NO.	DATE: 27MAR2007	DWG - KSE, CUMMINS QSB 5.9 P DIMENSIONAL
THIS DESIGN IS THE PROPERTY OF W.S. DARLEY AND CO. - UNAUTHORIZED REPRODUCTION IS PROHIBITED		ALL DIMENSIONS IN INCHES UNLESS NOTED		SCALE 1/8	
TOLERANCE EXCEPT AS NOTED ±.005 ±.010 ±.015 ±.020 ±.030 ±.040 ±.050 ±.060 ±.070 ±.080 ±.090 ±.100		DO NOT SCALE PRINT		SCALE 1/8	DKD0306