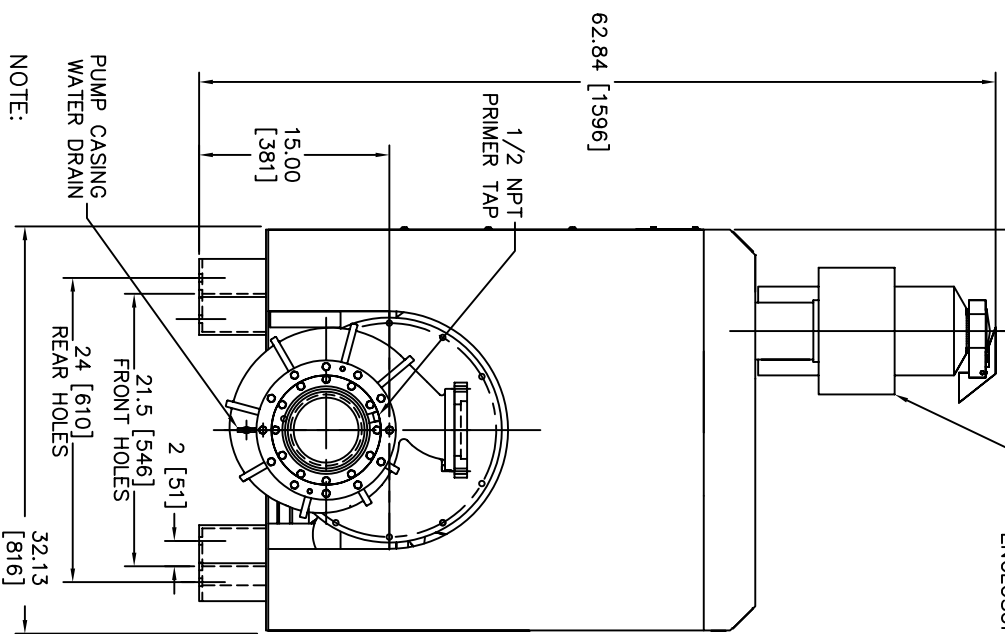
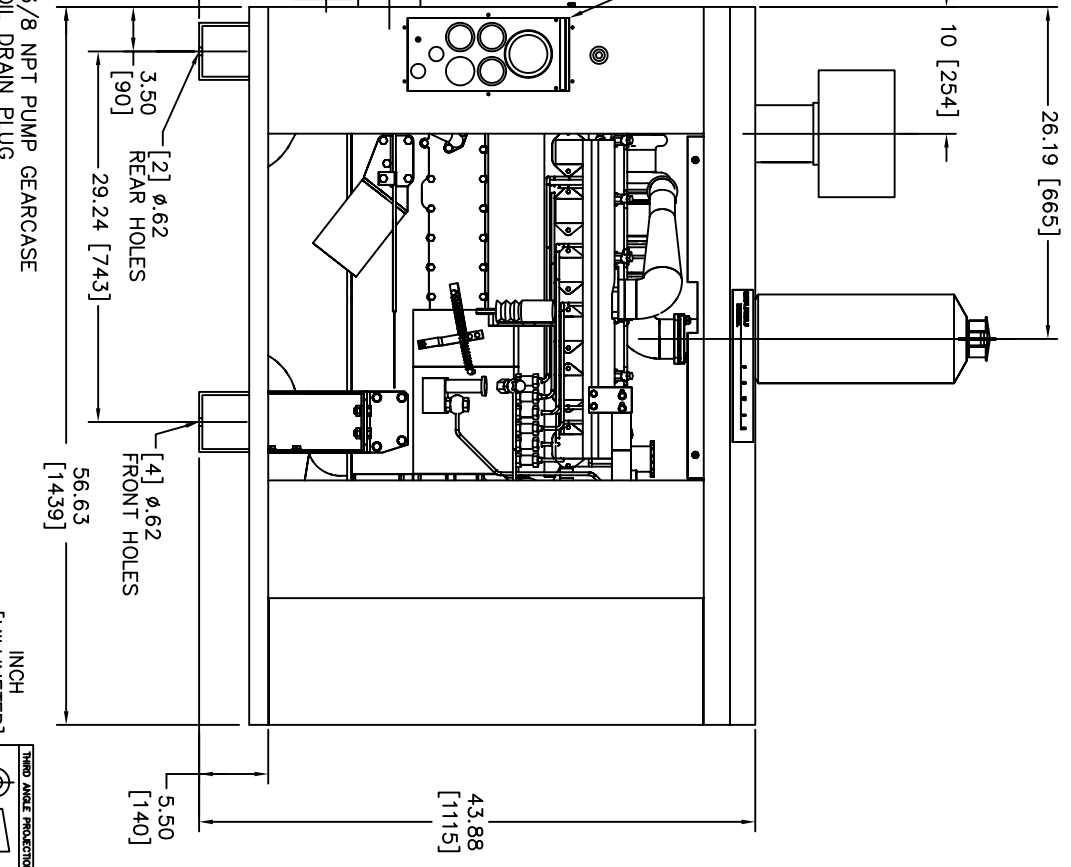
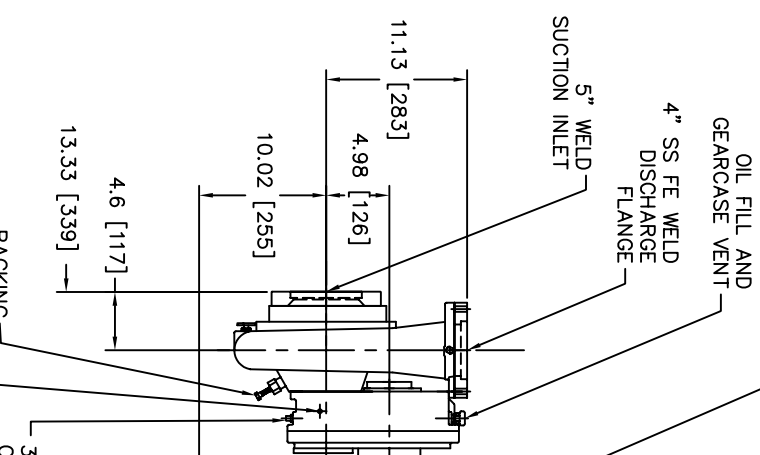


REVISIONS			
LTR	DESCRIPTION	DATE	CHG. NO.

THE AIR CLEANER WILL BE MOUNTED ON THE TOP OF THE ENCLOSURE WITH THE INTAKE HOSE PASSING THROUGH THE ROOF. THERE WILL BE NO PART OF THE AIR CLEANER HOUSING OR HOSE AT THE REAR OF THE ENCLOSURE ABOVE THE PUMP.



PANEL TO BE REMOTE MOUNTED WITH 7 METER LONG WIRING HARNESS



NOTE:
CONFIGURATION SHOWN FOR PN71721-71730 FOR OTHER DISCHARGE, SUCTION, OR POSITION CONFIGURATIONS, PLEASE CONTACT CUSTOMER SERVICE.

APPROXIMATE WEIGHT = 1650 LB [748 KG]

THIS DESIGN IS THE PROPERTY OF W.S. DARLEY AND CO. - UNAUTHORIZED REPRODUCTION IS PROHIBITED.

ALL DIMENSIONS IN INCHES UNLESS NOTED. DO NOT SCALE PRINT.

OLD PART NO. _____

DRN	CKE	DATE	20FEB04
CHD	SLE	DWG	W.S. DARLEY & CO.
DVS	SCALE	1/8	WEROSE PARK, IL - CHIPPewa FALLS, WI

THIRD ANGLE PROJECTION

DKD0304