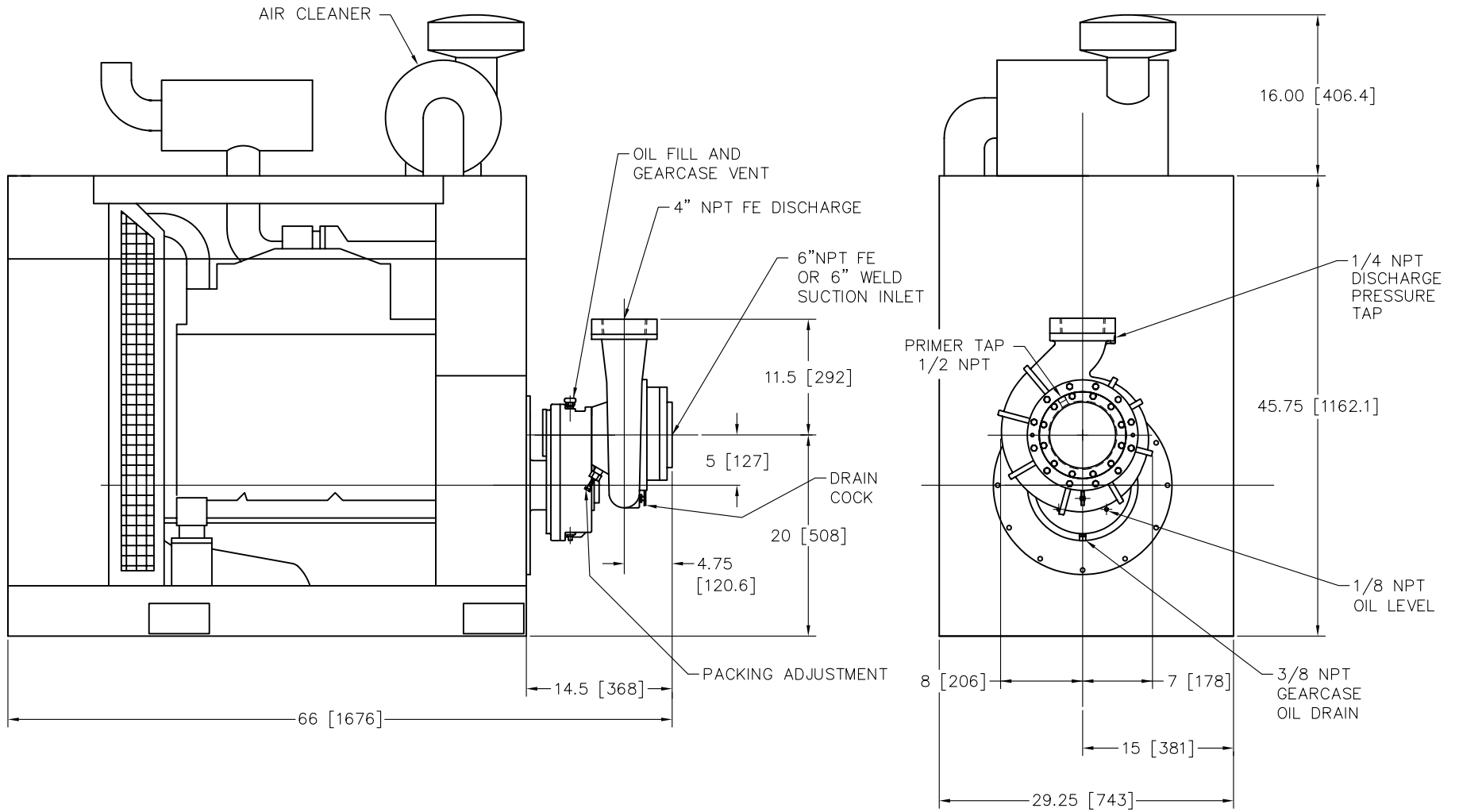



REVISIONS				
LTR	DESCRIPTION	DATE	CHG NO.	APPR'D



APPROXIMATE WEIGHT = 1400 LB [635 KG]

INCH [MILLIMETER] 

	W.S. DARLEY & CO. MELROSE PARK, IL - CHIPPEWA FALLS, WI	
	DWG - KSE, CUMMINS 6B5.9 DIMENSIONAL	
OLD PART NO. K751	DR'N TED CHKD _____ TRCD _____	DATE NOV. 2, 95 SCALE 1/8
DKD0300		

THIS DESIGN IS THE PROPERTY OF W.S. DARLEY AND CO. - UNAUTHORIZED REPRODUCTION IS PROHIBITED

ALL DIMENSIONS IN INCHES UNLESS NOTED

DO NOT SCALE PRINT