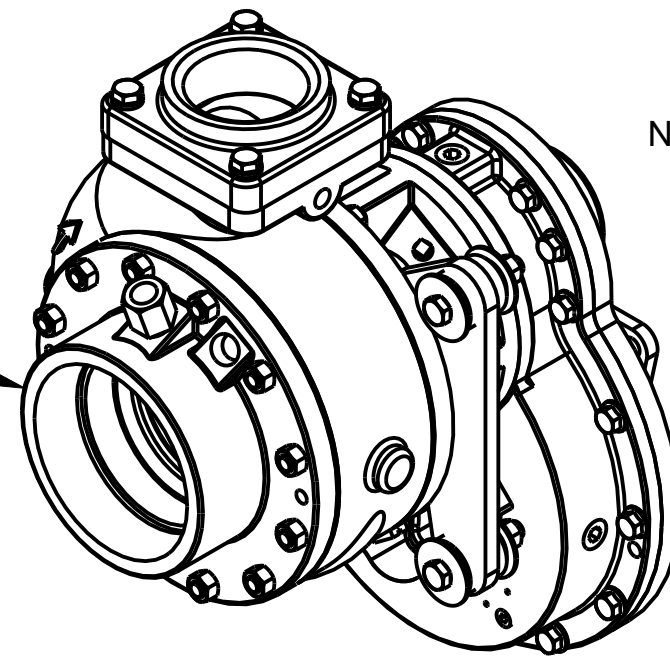


REVISIONS				
LTR	DESCRIPTION	DATE	CHG NO.	APPR'D

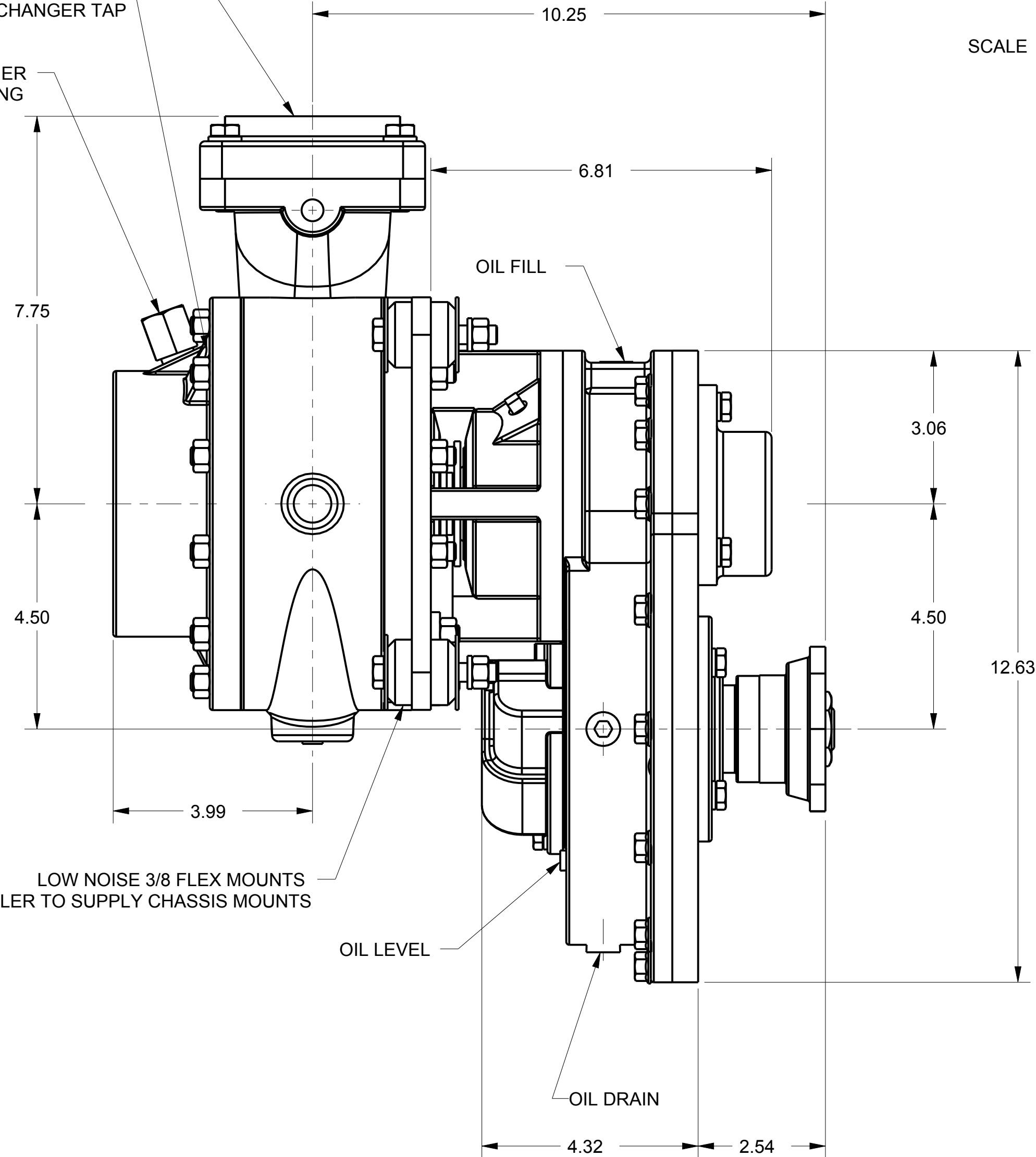
NET WEIGHT - 130 LBS

4 NPT FEMALE
SUCTION

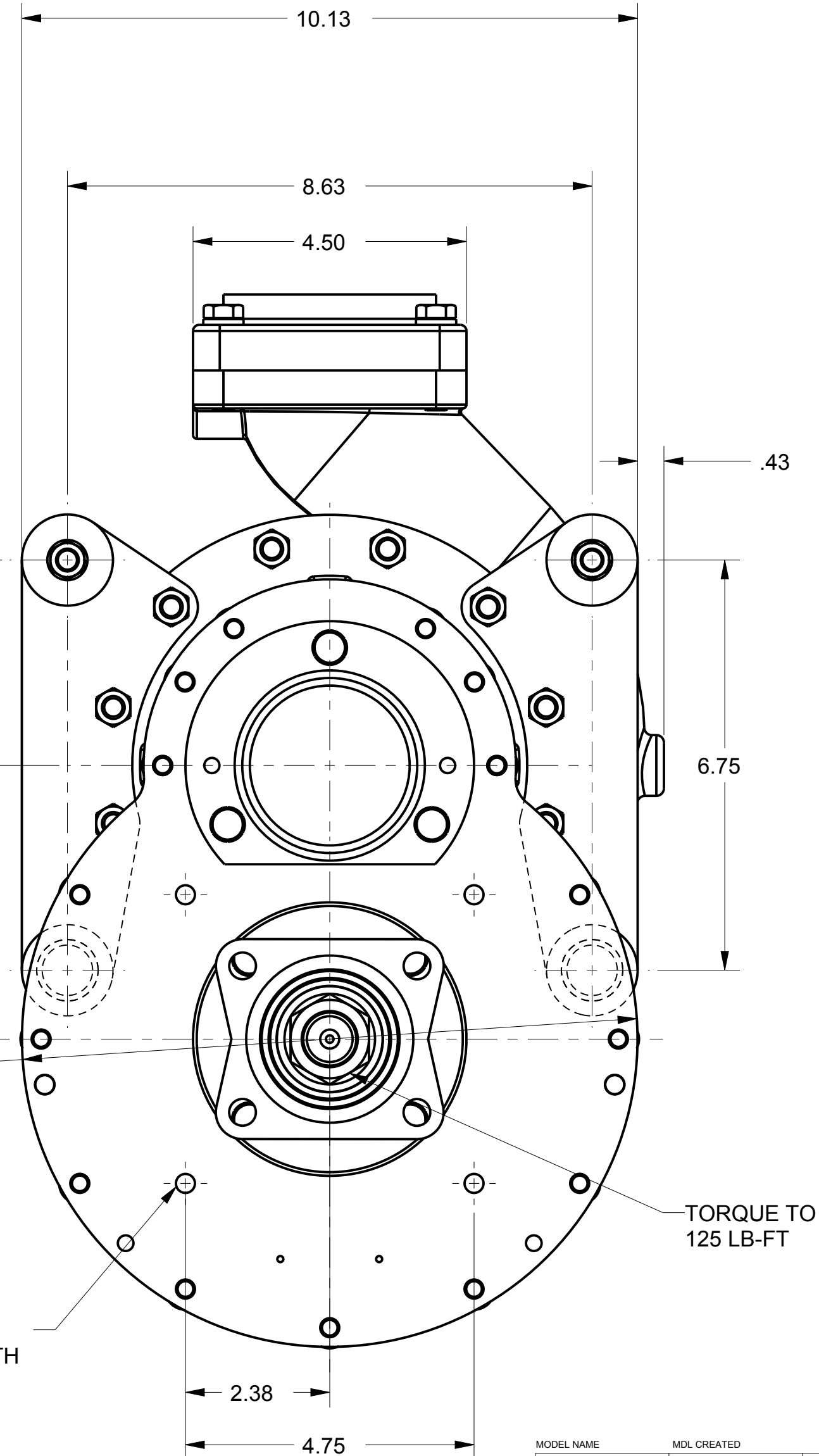


SCALE 1/4

2.5 NPT
FLANGE
(2) 3/8 NPT HEAT
EXCHANGER TAP
3/8 PRIMER
FITTING



LOW NOISE 3/8 FLEX MOUNTS
INSTALLER TO SUPPLY CHASSIS MOUNTS



(4) 3/8 - 16 UNC - 2B
√.60 MAX DEPTH

REMOVE SHARP EDGES

INCH
[MILLIMETER]



OLD PART NO.

TOLERANCE
EXCEPT
AS NOTED
.00 ±.03
.000 ±.010
ANGLES ±1°

W.S. Darley & Co.
CHIPPEWA FALLS, WI - MELROSE PARK, IL

MATERIAL DESCRIPTION:

MATERIAL NO.

PATTERN NO.

DIMENSIONAL - HSP 250/350
MECH SEAL

THIS DESIGN IS THE PROPERTY OF
W.S. DARLEY AND CO. - UNAUTHORIZED
REPRODUCTION IS PROHIBITED

ALL DIMENSIONS IN
INCHES UNLESS NOTED

DO NOT SCALE PRINT

DR'N JAF
CHKD RJG
TRCD

DATE 28-Feb-13
SCALE 1/2

DHD2850

MODEL NAME MDL CREATED SHEET
DHD2850 6DEC1999 1/1 C