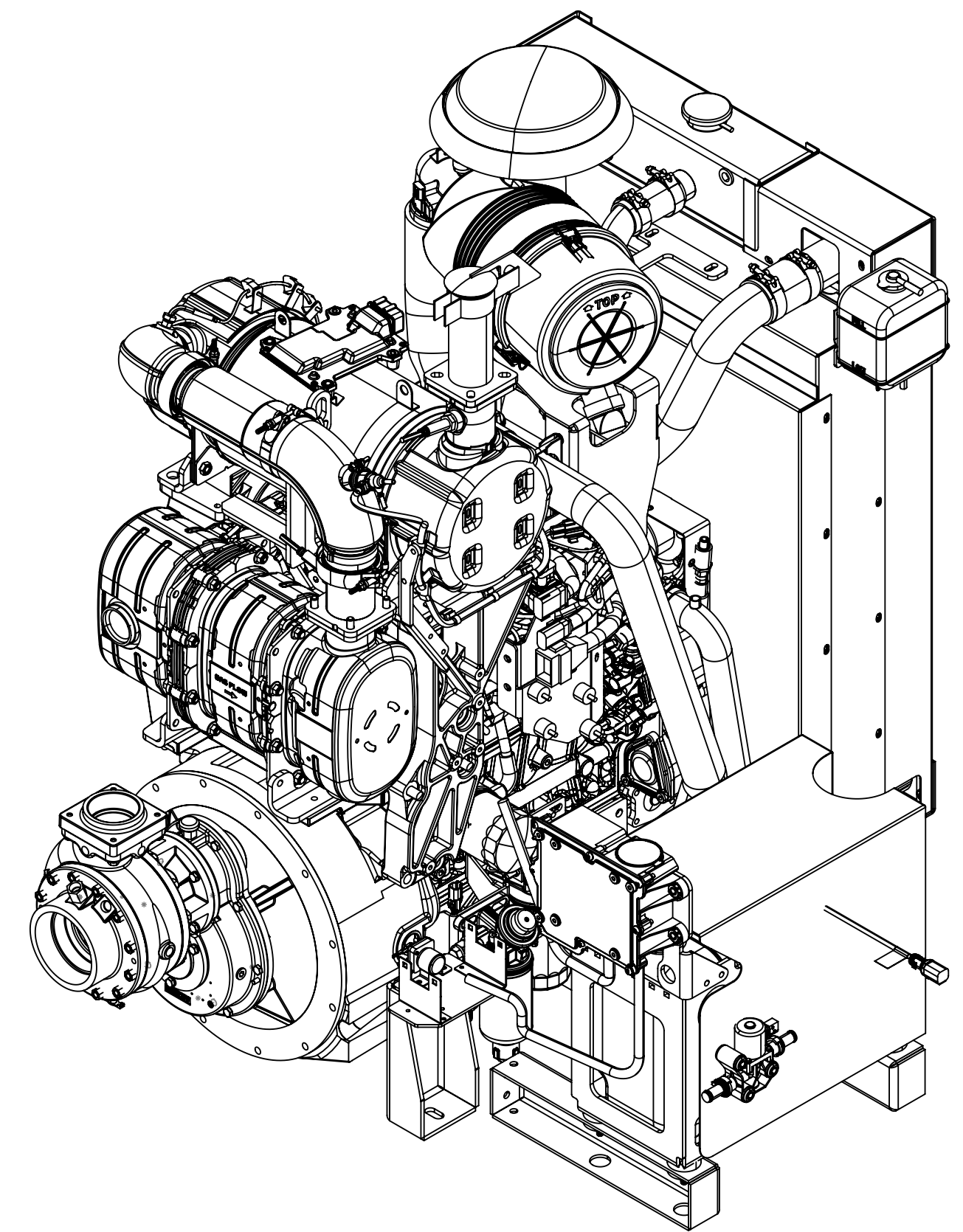


- ASSEMBLIES SHOWN:
- ENGINE - 4221981
 - TRANSMISSION - TE00502
 - ENGINE ADAPTER - KE01403 OR KE01404
 - PUMP ASSY - PH01102 (CAST IRON) PH01106 (BRASS)
 - SUCTION HEAD - KC04150
 - DISCHARGE FLANGE - YF02900
 - GEAR RATIO - KR00205 (2.85:1)



REMOVE SHARP EDGES		THIRD ANGLE PROJECTION		MODEL	SHEET
TOLERANCE EXCEPT AS NOTED		OLD PART NO.		dhd2705	1/1
MATERIAL DESCRIPTION		PATTERN NO.		D	
MASS		MATERIAL NO.		Darley	
1764.96 LBS		DATE: 04/01/2022		ITASCA, IL	
THIS DESIGN IS THE PROPERTY OF WS DARLEY CO. - UNAUTHORIZED REPRODUCTION IS PROHIBITED		SCALE: 1:8		CHIPPewa FALLS, WI	
ALL DIMENSIONS IN INCHES UNLESS NOTED		DWG - HE500, V3800T 115HP		DIMENSIONAL	
DO NOT SCALE PRINT		DRWN SMS		DATE: 04/01/2022	
		CKHD WAH		dhd2705	
		TRCD			