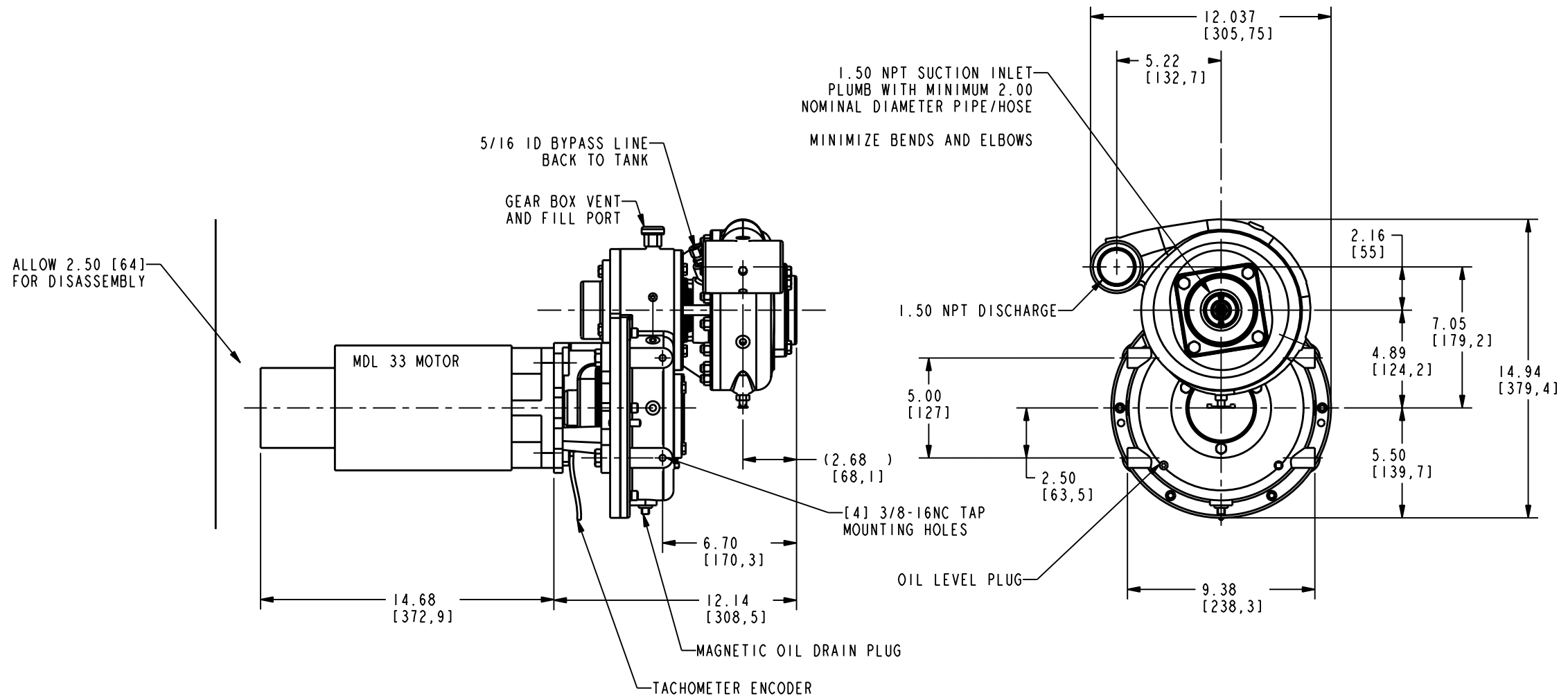
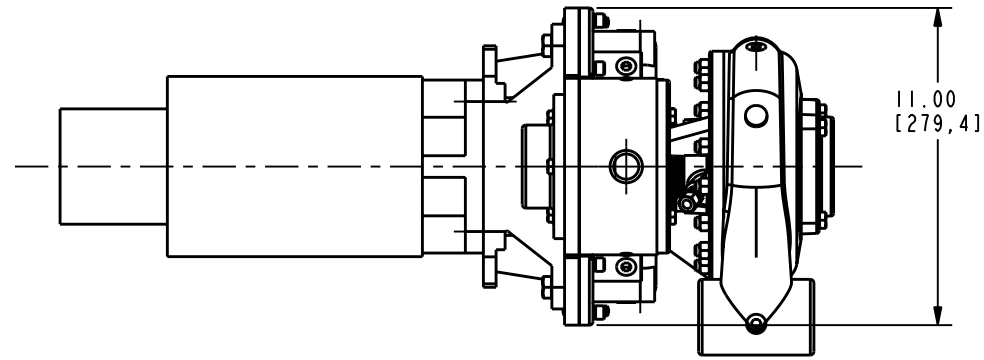


REVISIONS				
LTR	DESCRIPTION	DATE	CHG NO.	APPR'D



APPROXIMATE WEIGHT: 120 LBS [54.4 KG]

REMOVE SHARP EDGES

INCH  
[MILLIMETER]



OLD PART NO.

TOLERANCE  
EXCEPT  
AS NOTED  
.00 ± .03  
.000 ± .010  
ANGLES ± 1°

W.S. Darley & Co.  
CHIPPewa FALLS, WI - MELROSE PARK, IL

MATERIAL DESCRIPTION:

MATERIAL NO.

PATTERN NO.

LAYOUT - H100 MECH SEAL

THIS DESIGN IS THE PROPERTY OF  
W.S. DARLEY AND CO. - UNAUTHORIZED  
REPRODUCTION IS PROHIBITED

ALL DIMENSIONS IN  
INCHES UNLESS NOTED

DO NOT SCALE PRINT

DR'N DWS  
CHKD TED  
TRCD

DATE 14-AUG-00  
SCALE 1/4

DHD1000

MODEL NAME	MDL CREATED	SHEET
PH00508	16-JULY-2000	1/1 C