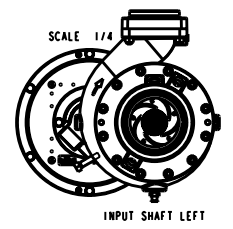
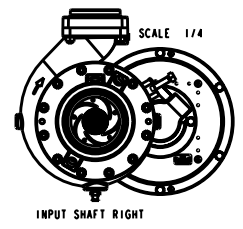
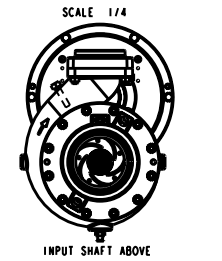
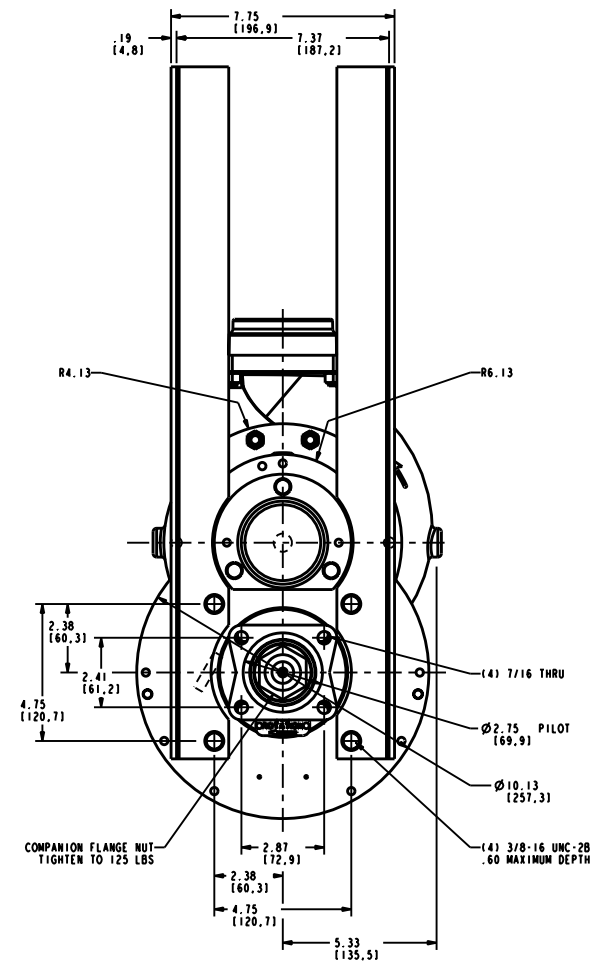
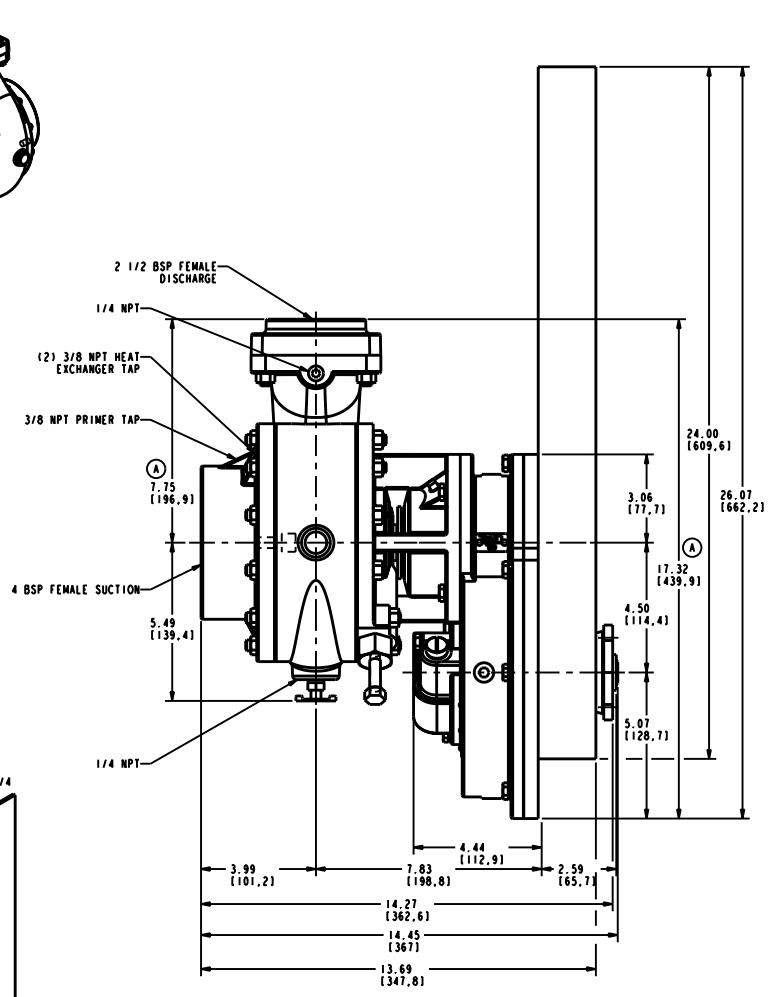
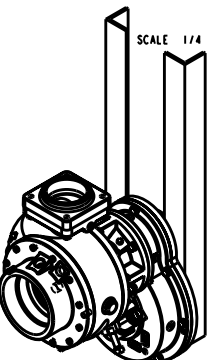
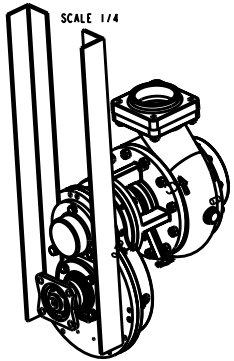


NAME: MJW OBJECT: DHD0410 DATE: 12-AUG-09 11:43:19

REVISIONS				
LTB	DESCRIPTION	DATE	CHK NO.	APP'D
4	17.32 MAS 17.75 1.75 MAS 1.42	03/18/08	2008-004	122



REMOVE SHARP EDGES		1 INCH (25.4 MILLIMETER)	OLD PART NO.	TOLERANCE	DATE 28-01-05	SCALE 1/2	DHD0410
MATERIAL DESCRIPTION:		MATERIAL NO.	PATTERN NO.	AS SHOWN	DATE 28-01-05	SCALE 1/2	DHD0410
THIS DESIGN IS THE PROPERTY OF U.S. BULLY AND CO. UNAUTHORIZED REPRODUCTION IS PROHIBITED.		ALL DIMENSIONS IN INCHES UNLESS NOTED		DO NOT SCALE PRINT		SCALE 1/2	