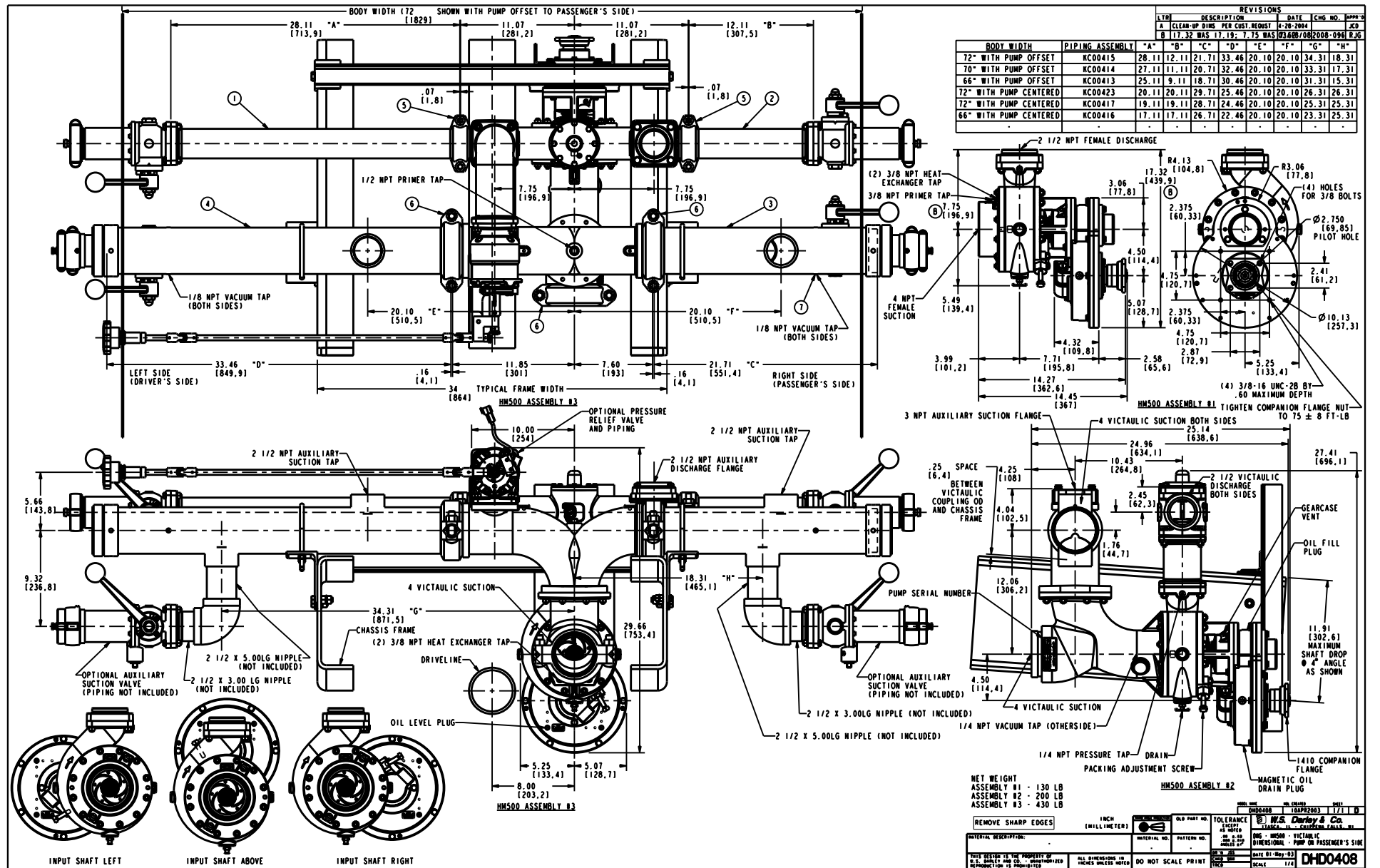


NAME:MW OBJECT:DHD0408 DATE:27-Jul-09 16:12:15

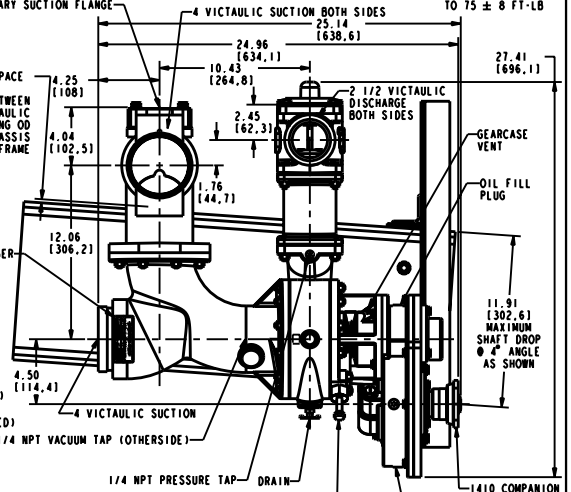
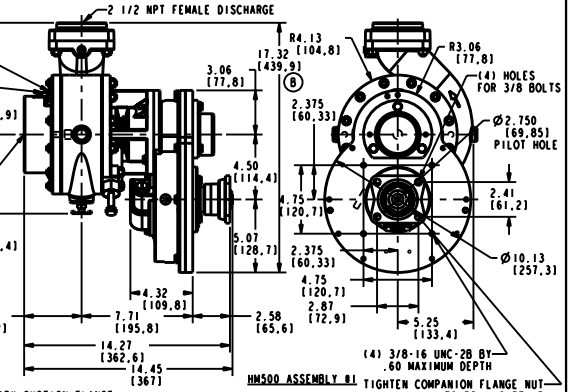


REVISIONS

REV	DESCRIPTION	DATE	CHK NO.	APP'D
1	CLEAR-WR DIMS PER COST REDUCT	04-29-2004		KCB
2	17.32 WAS 17.19; 7.75 WAS 7.63	08/08/2008	096	R.G.

BODY WIDTH	PIPING ASSEMBLY	"A"	"B"	"C"	"D"	"E"	"F"	"G"	"H"
72" WITH PUMP OFFSET	KC00415	28.11	12.11	21.71	33.46	20.10	20.10	34.31	18.31
70" WITH PUMP OFFSET	KC00414	27.11	11.11	20.71	32.46	20.10	20.10	33.31	17.31
66" WITH PUMP OFFSET	KC00413	25.11	9.11	18.71	30.46	20.10	20.10	31.31	15.31
72" WITH PUMP CENTERED	KC00423	20.11	20.11	29.71	25.46	20.10	20.10	26.31	26.31
72" WITH PUMP CENTERED	KC00417	19.11	19.11	28.71	24.46	20.10	20.10	25.31	25.31
66" WITH PUMP CENTERED	KC00416	17.11	17.11	26.71	22.46	20.10	20.10	23.31	25.31



NET WEIGHT  
 ASSEMBLY #1 - 130 LB  
 ASSEMBLY #2 - 200 LB  
 ASSEMBLY #3 - 430 LB

REMOVE SHARP EDGES

1 INCH (25.4 MILLIMETER)

TOLERANCE  
 AS SHOWN

MATERIAL NO. \_\_\_\_\_ PATTERN NO. \_\_\_\_\_

DATE 01-May-03

SCALE 1/2"

W.S. Darby & Co.  
 FLANGES - VICTAULIC  
 DIMENSIONAL - PUMP OR PASSENGER'S SIDE

DHD0408