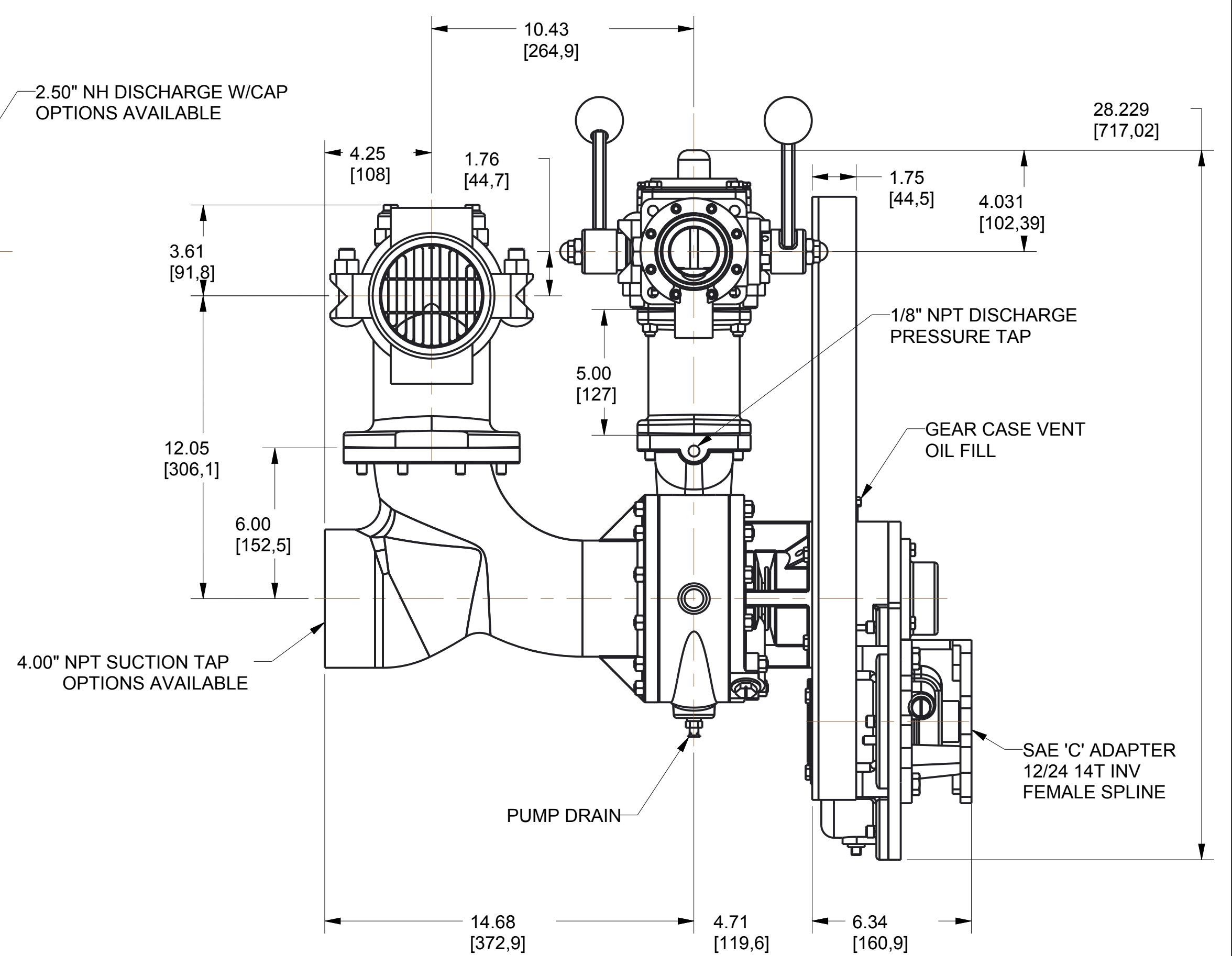
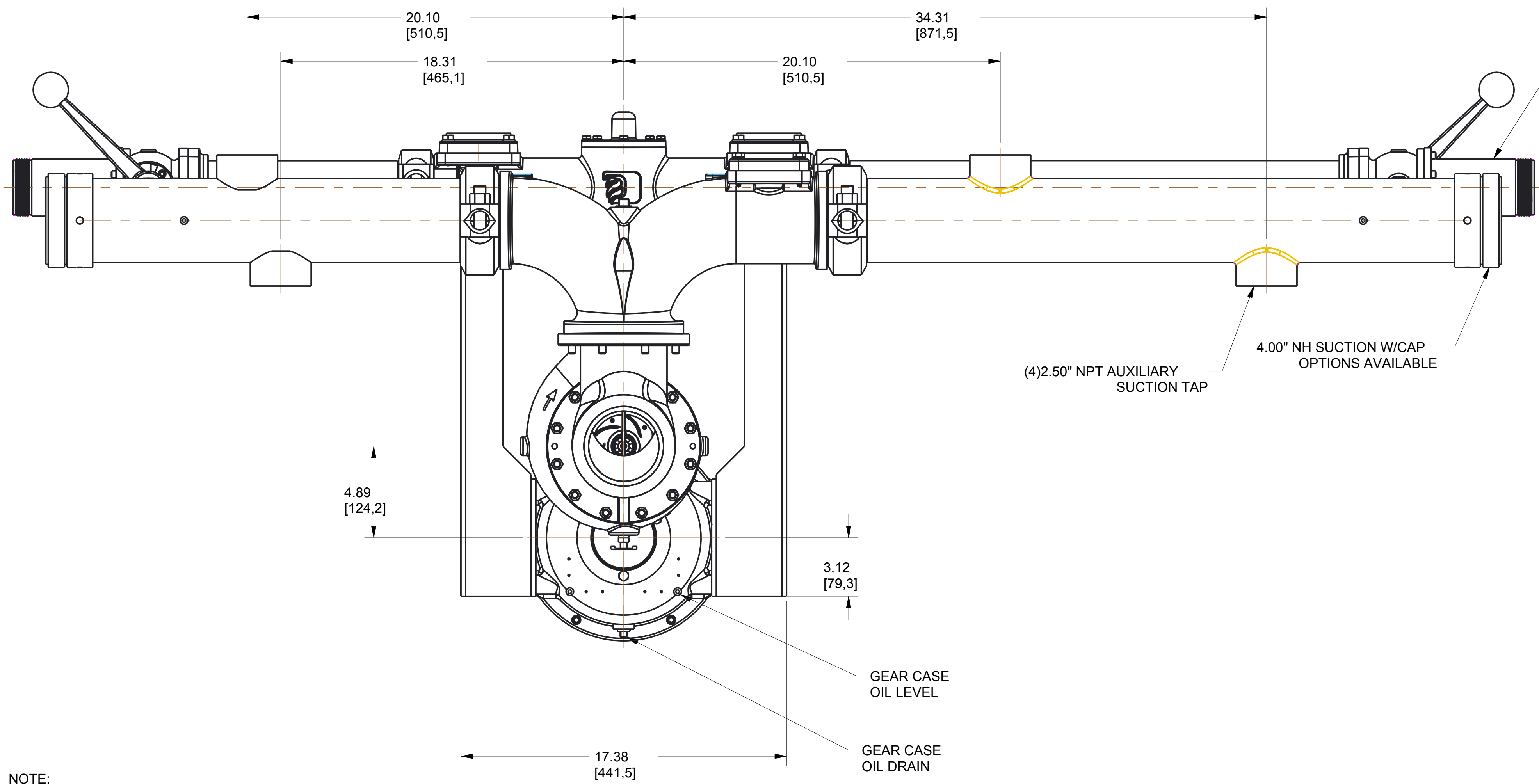
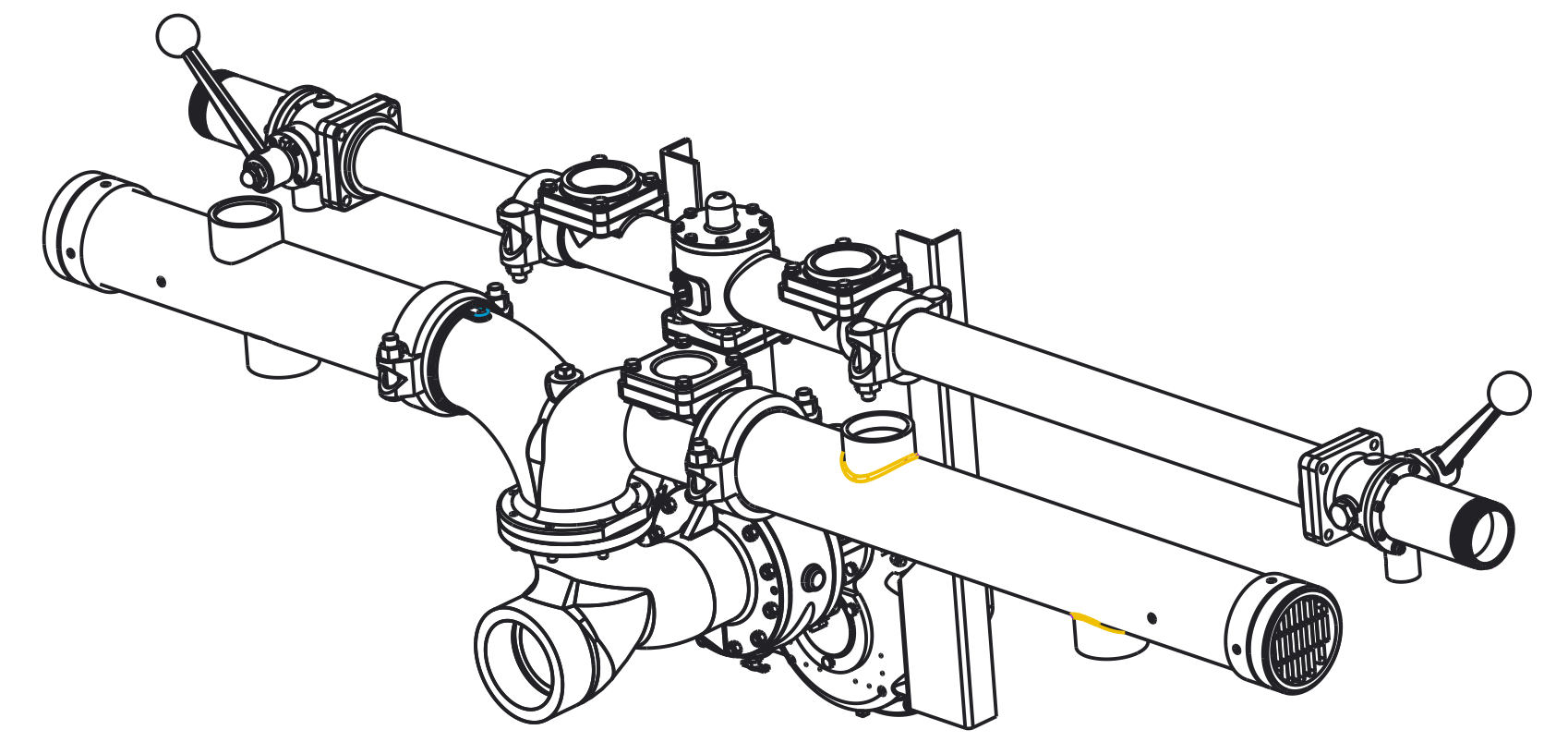
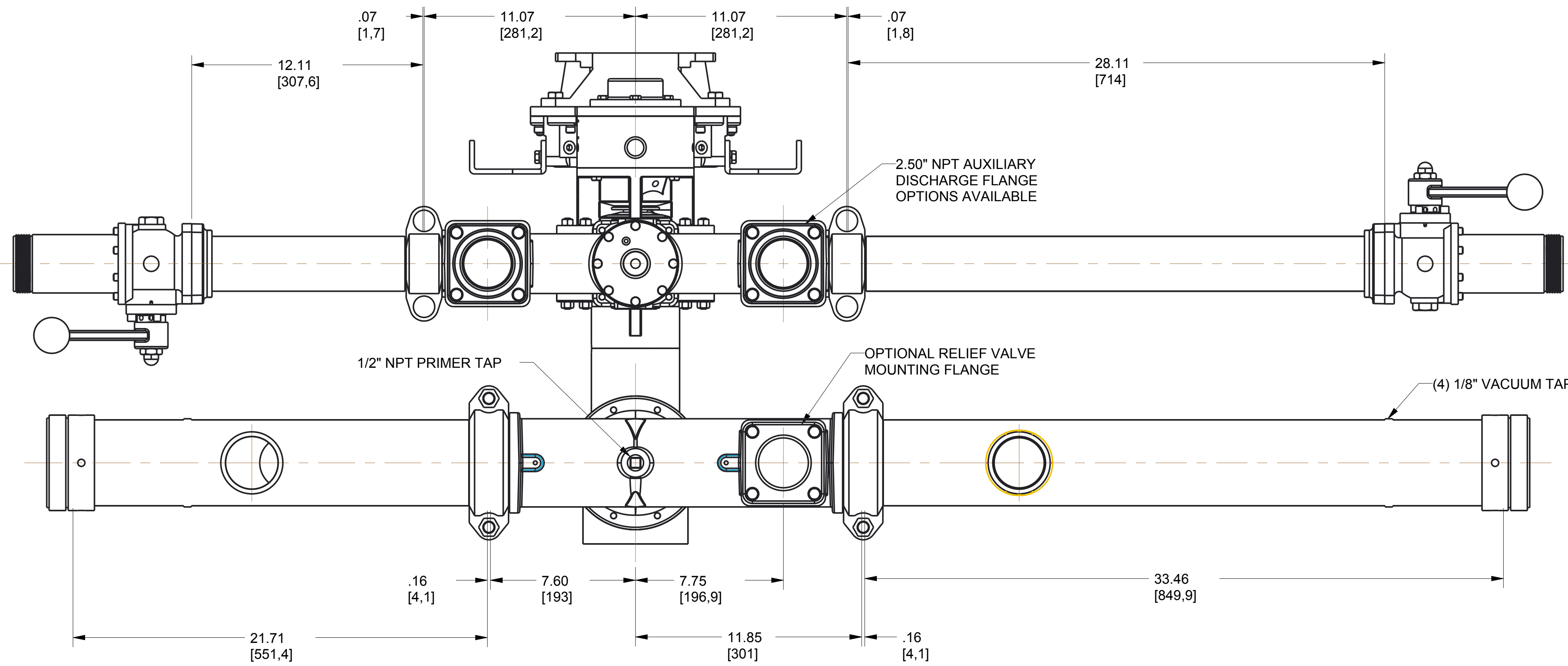


REVISIONS				
LTR	DESCRIPTION	DATE	CHG NO.	APPRD



NOTE:
 1) 72" BODY WIDTH OFFSET TO DRIVERS SIDE SHOWN
 OFFSET TO PASSENGER SIDE AND OTHER BODY WIDTHS AVAILABLE
 2) APPROXIMATE WEIGHT: 430 LBS

REMOVE SHARP EDGES		INCH [MILLIMETER]	OLD PART NO.	TOLERANCE EXCEPT AS NOTED	W.S. Darley & Co. ITASCA, IL - CHIPPEWA FALLS, WI
MATERIAL DESCRIPTION:	MATERIAL NO.	PATTERN NO.	00 ±.03 2000 ±.010 ANGLES ±.1°	DWG - HH500, ASSEMBLY #3 DIMENSIONAL	DATE 22-Jan-14
THIS DESIGN IS THE PROPERTY OF W.S. DARLEY AND CO. - UNAUTHORIZED REPRODUCTION IS PROHIBITED	ALL DIMENSIONS IN INCHES UNLESS NOTED	DO NOT SCALE PRINT	DRN SMS CHKD TED TRCD	SCALE 1/4	DHD0303

MODEL NAME: DHD0303
 MFL CREATED: 22JAN2014
 SHEET: 1/1