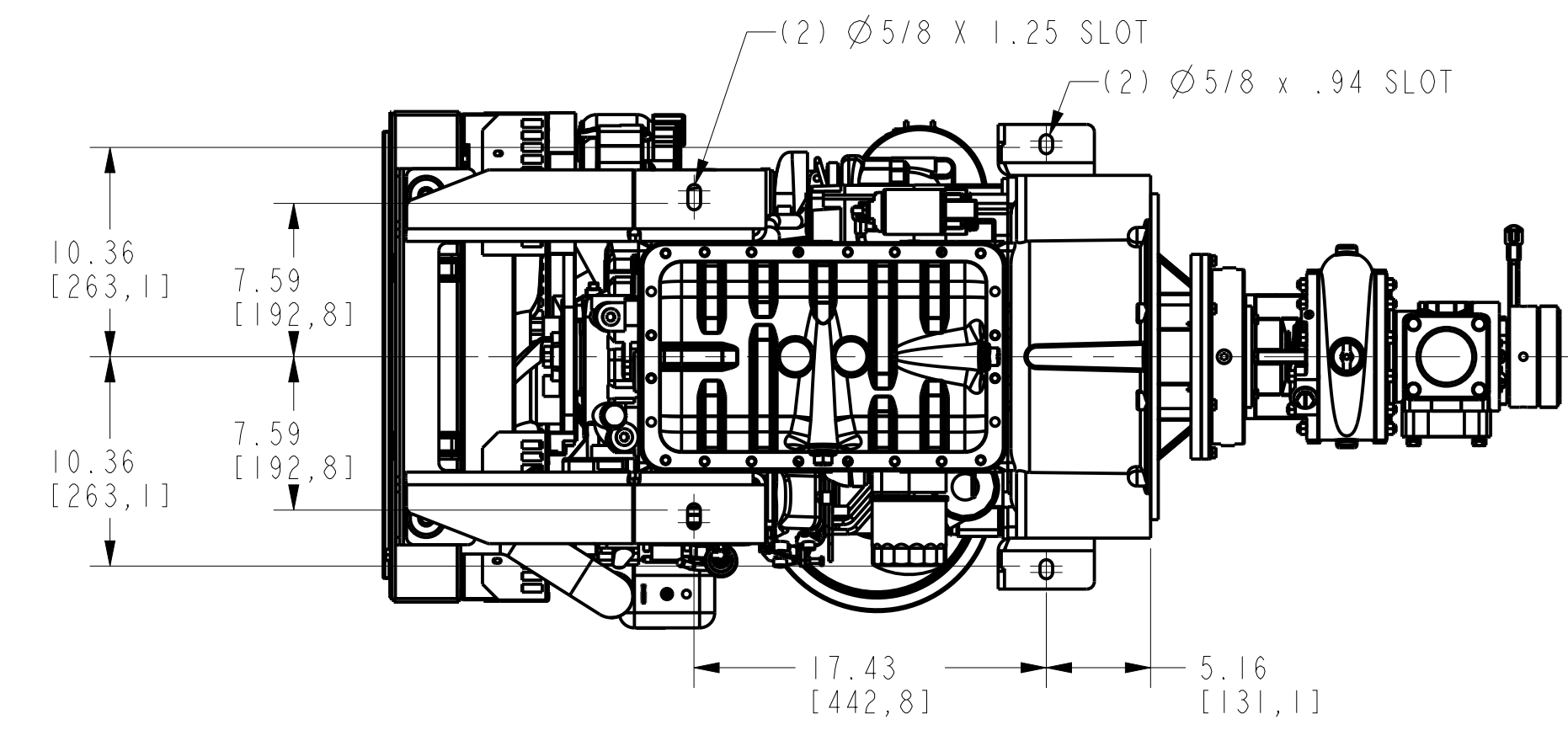
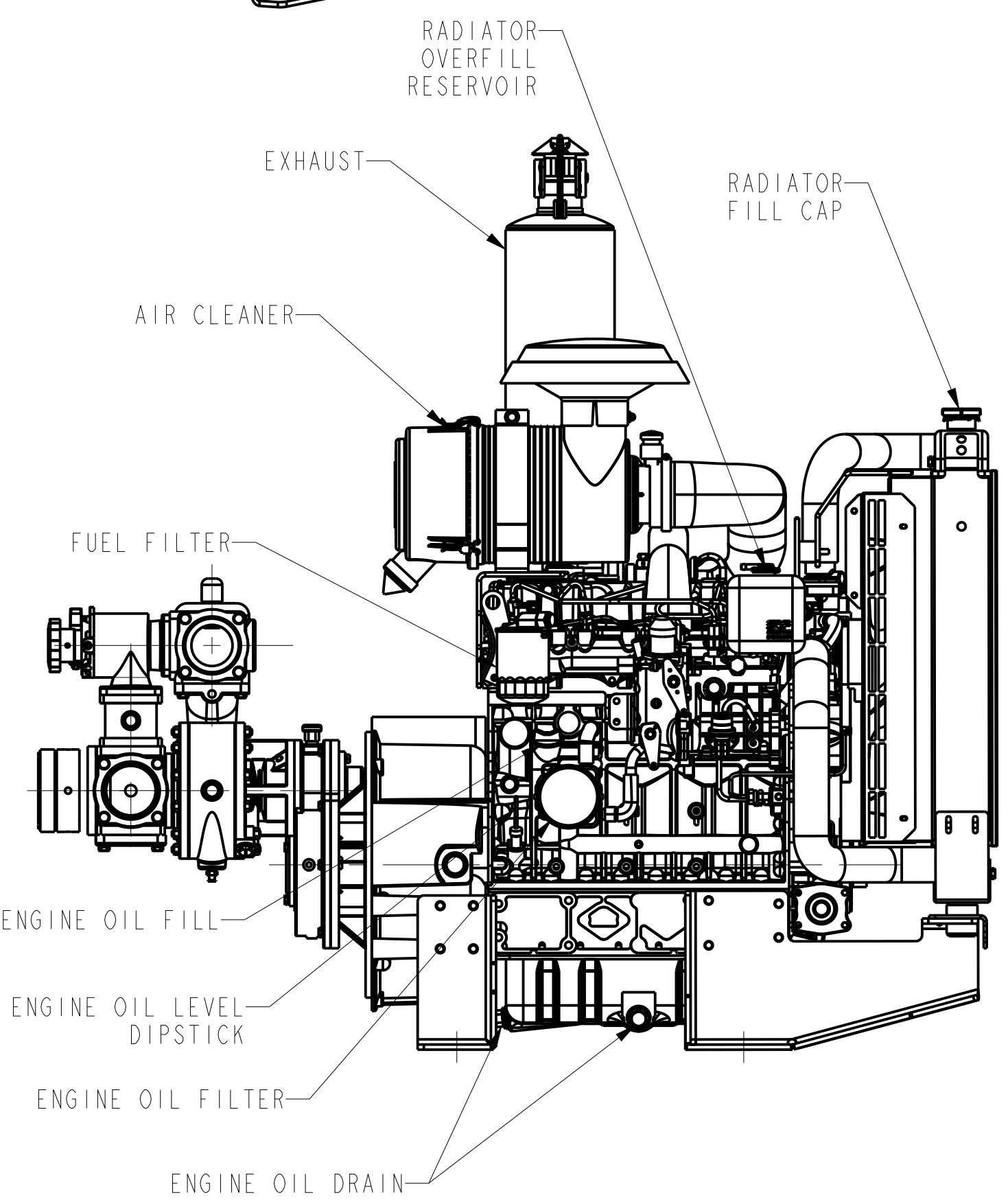
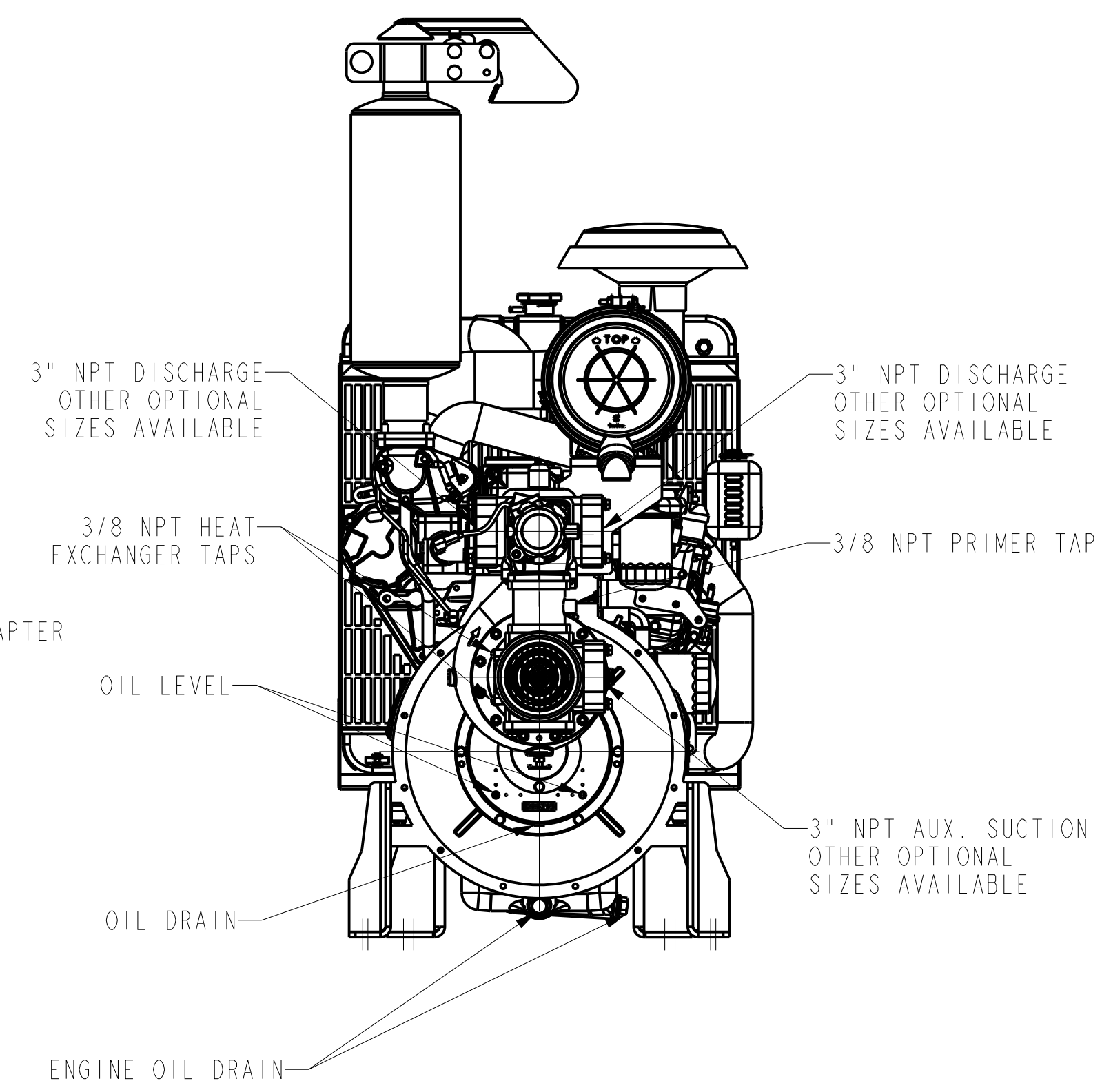
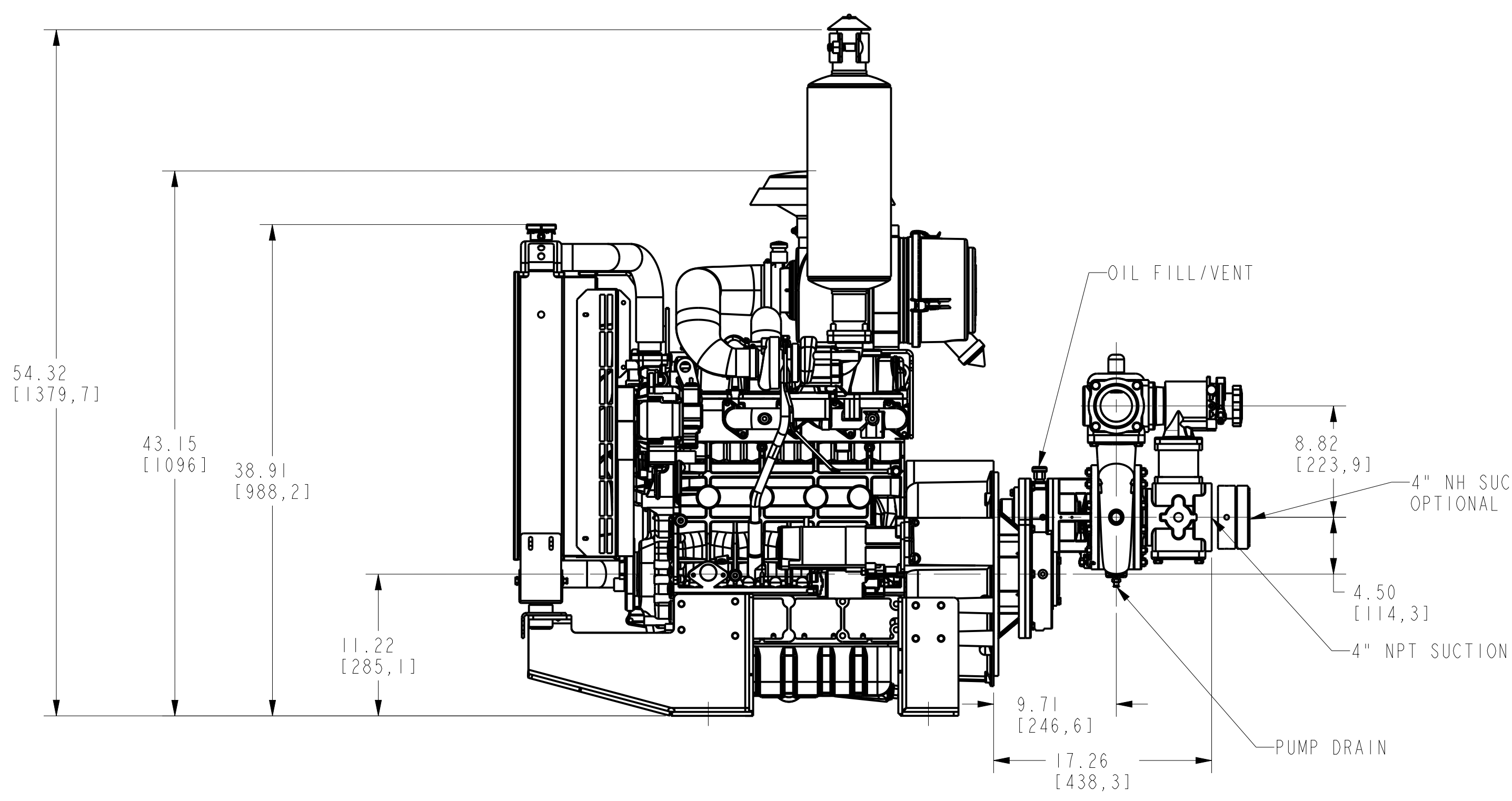
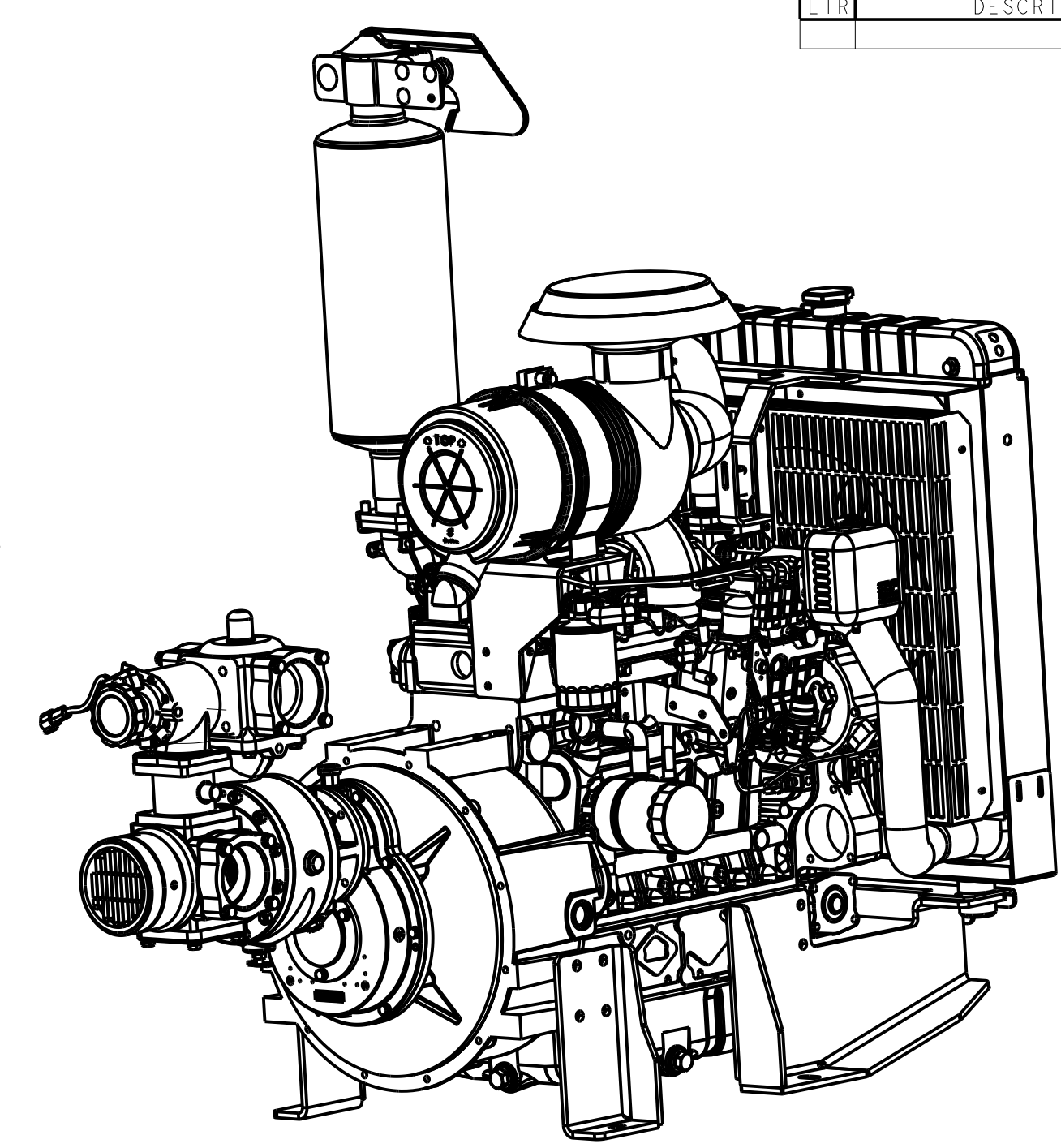
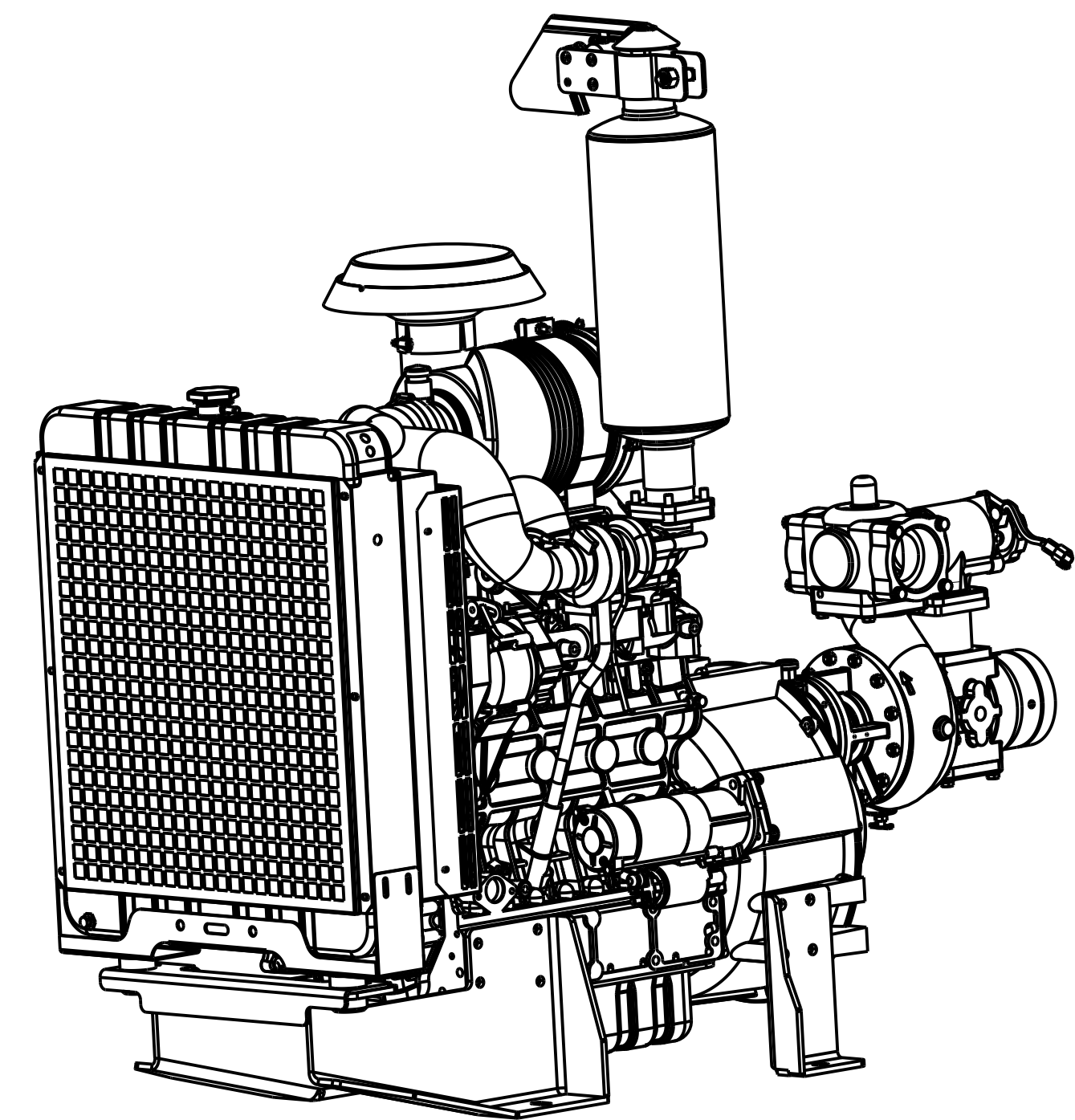
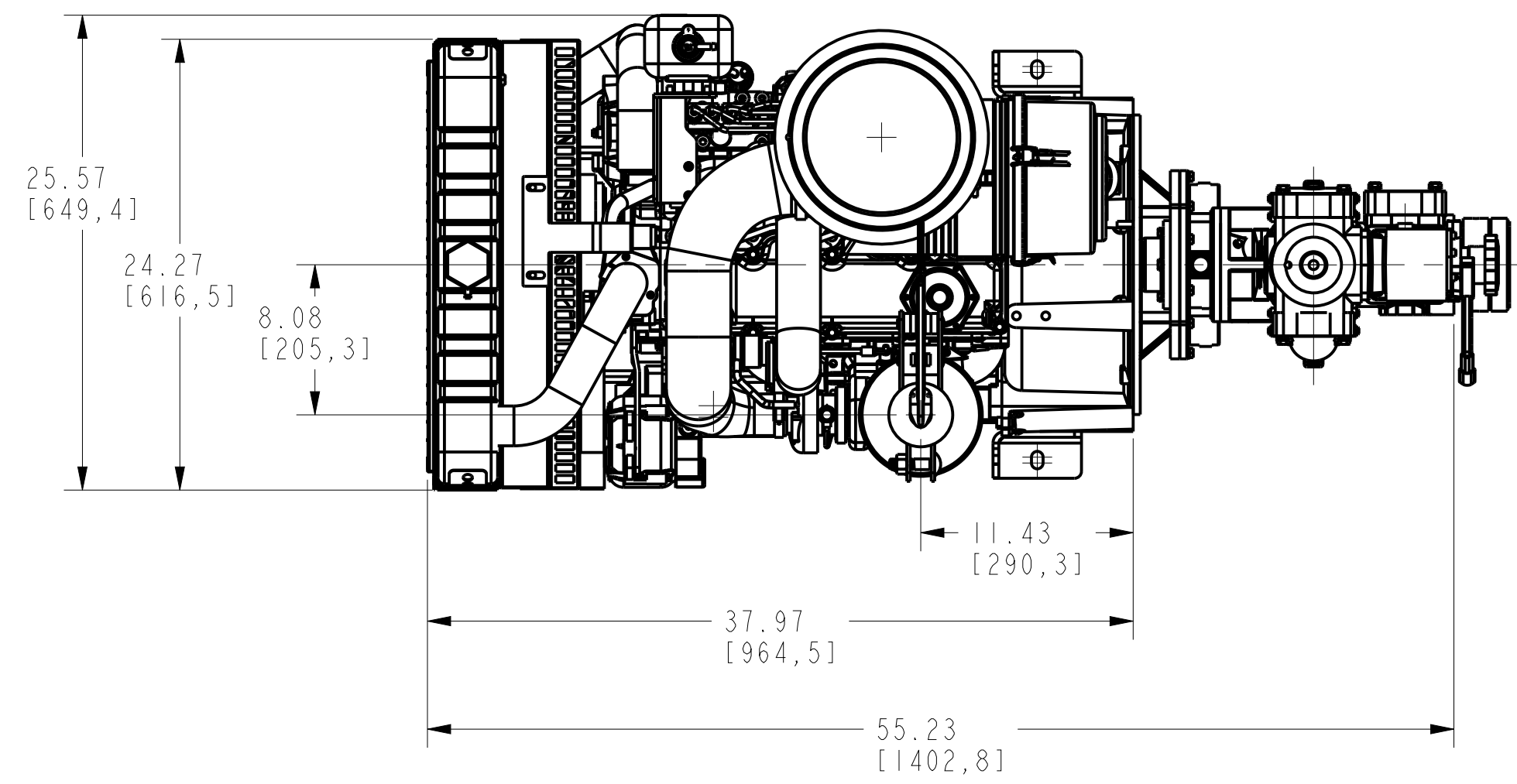
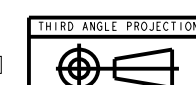


REVISIONS				
LTR	DESCRIPTION	DATE	CHG NO.	APPR'D



REMOVE SHARP EDGES

INCH (MILLIMETER)



OLD PART NO.

TOLERANCE EXCEPT AS NOTED
 .00 ± .03
 .000 ± .010
 ANGLES ± 1°

MATERIAL DESCRIPTION:
 THIS DESIGN IS THE PROPERTY OF W.S. DARLEY AND CO. UNAUTHORIZED REPRODUCTION IS PROHIBITED.

ALL DIMENSIONS IN INCHES UNLESS NOTED

MATERIAL NO.
 PATTERN NO.
 DR'N TED
 CHWD AAN
 TRCD

DO NOT SCALE PRINT

DATE 27JUL2015
 SCALE 1/8
 DHD0132

MODEL NAME: DHD0132
 MDL CREATED: 24 JUL 2015
 SHEET: 1/1

W.S. Darley & Co.
 ITASCA, IL - CHIPPEWA FALLS, WI

DWG - HE500, KUBOTA V3600T
 HE500K-V3600T, ASSEMBLY #2

DHD0132