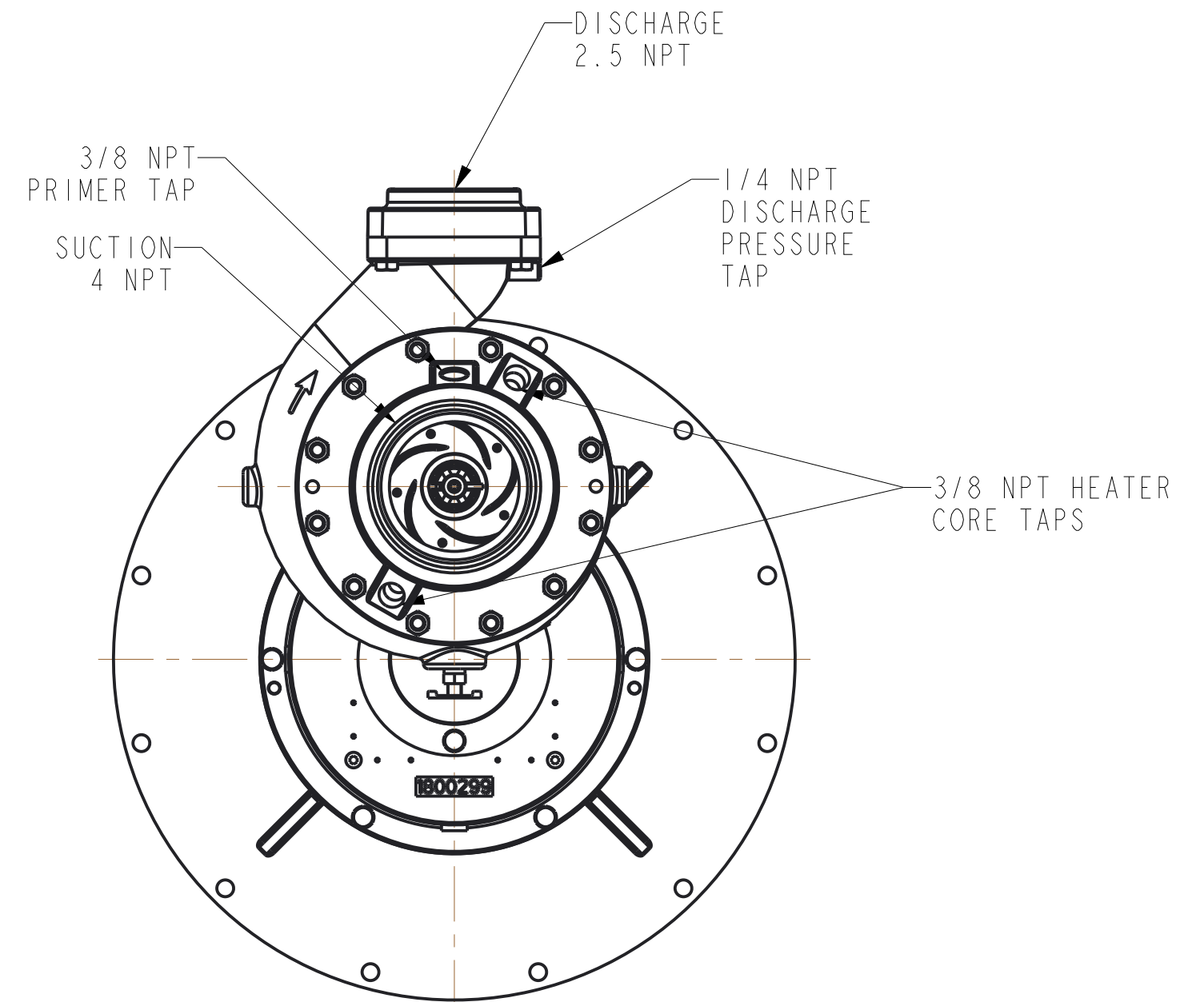
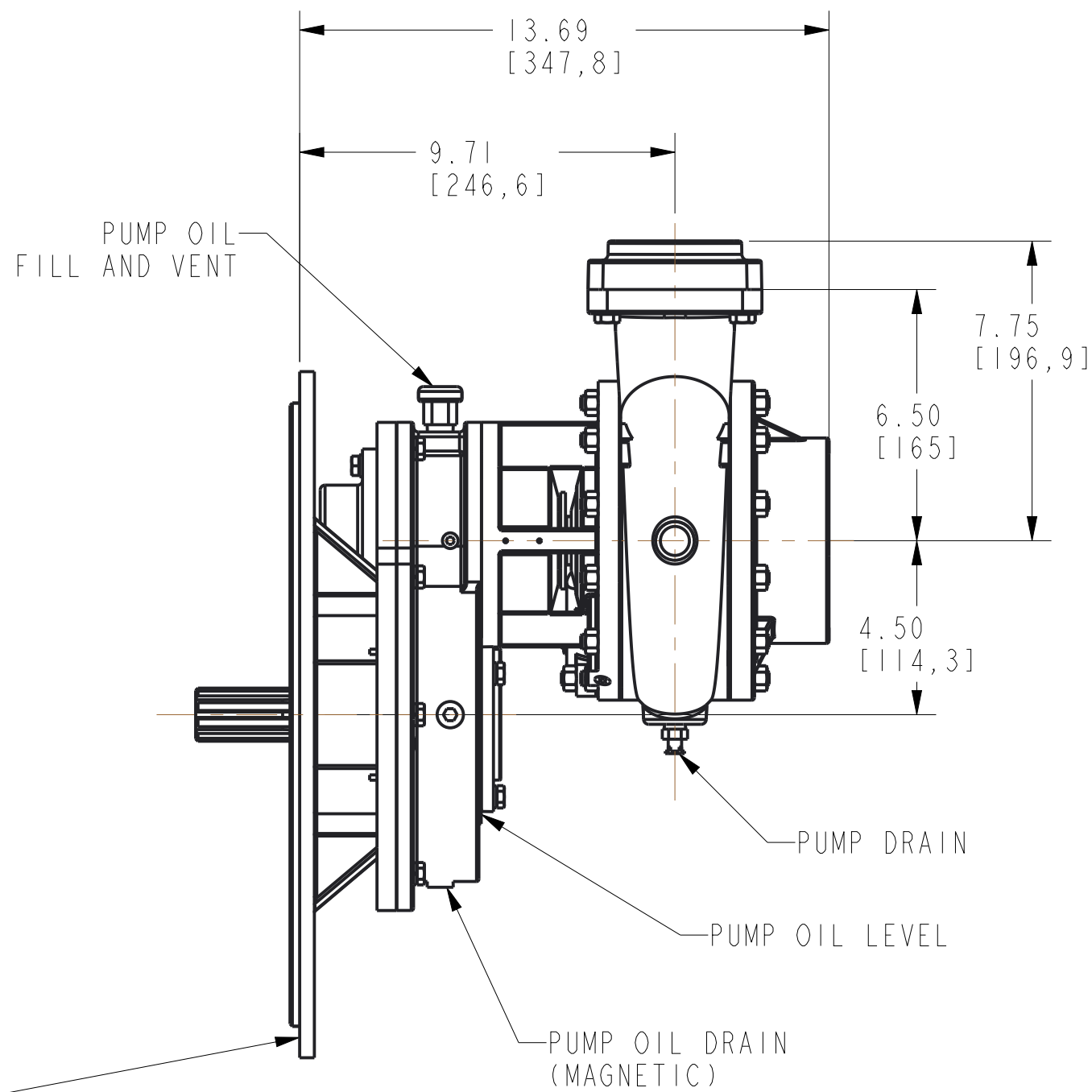
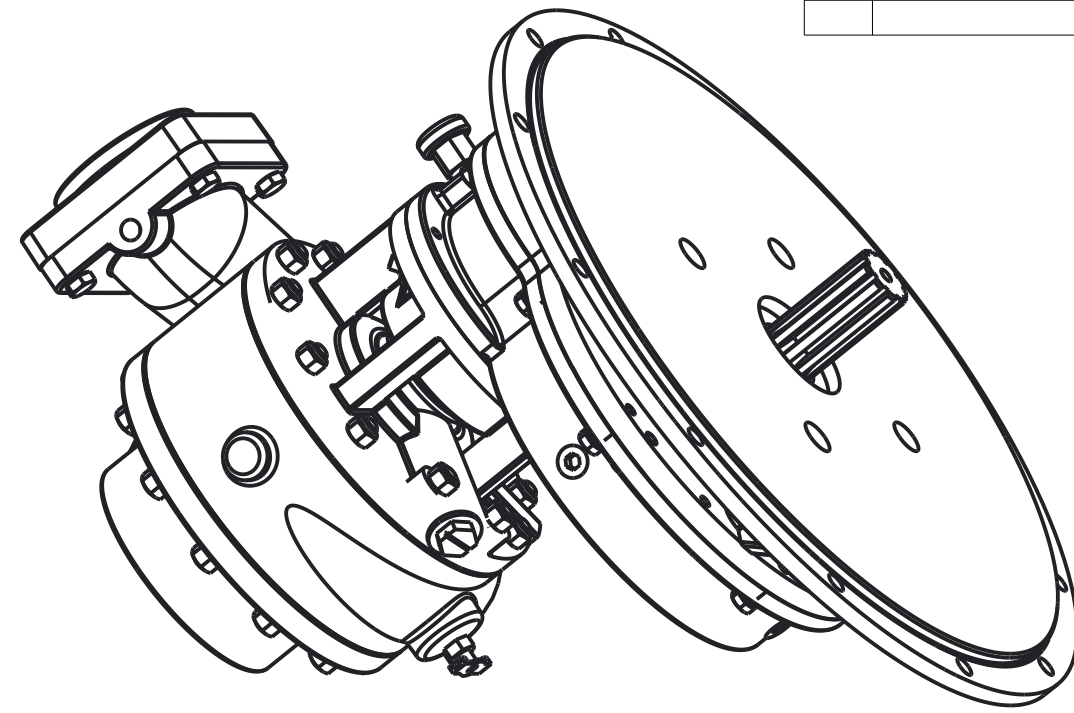
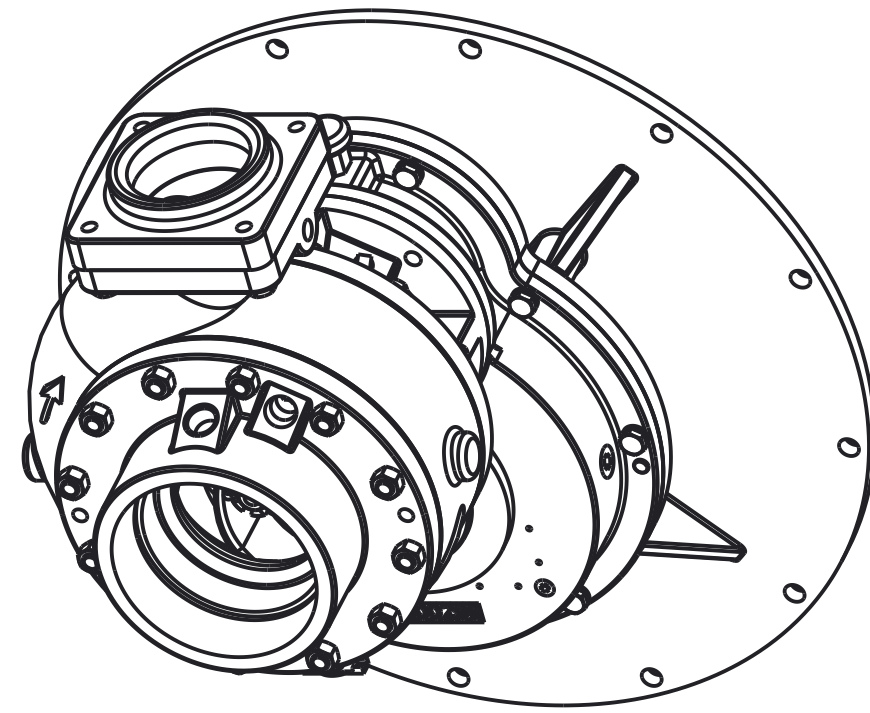


REVISIONS				
LTR	DESCRIPTION	DATE	CHG NO.	APPR'D

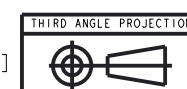


FLYWHEEL AND HOUSING SIZE WILL VARY DEPENDING ON ENGINE

MODEL NAME: DHD0126 MDL CREATED: 31OCT2013 SHEET: 1/1 C

REMOVE SHARP EDGES

INCH [MILLIMETER]



OLD PART NO.

TOLERANCE EXCEPT AS NOTED
 .00 ± .03
 .000 ± .010
 ANGLES ± 1°

W.S. Darley & Co.
 ITASCA, IL - CHIPPEWA FALLS, WI

MATERIAL DESCRIPTION:

MATERIAL NO.

PATTERN NO.

DWG - HE

THIS DESIGN IS THE PROPERTY OF W.S. DARLEY AND CO. - UNAUTHORIZED REPRODUCTION IS PROHIBITED

ALL DIMENSIONS IN INCHES UNLESS NOTED

DO NOT SCALE PRINT

DR: N MWE
 CHKD: TED
 TRCD

DATE: 31OCT2013
 SCALE: 1/4

DHD0126