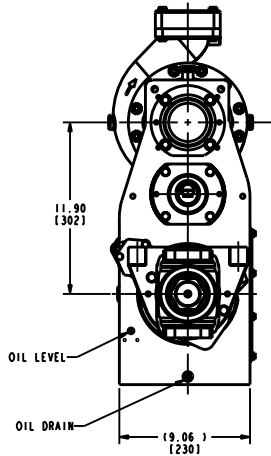
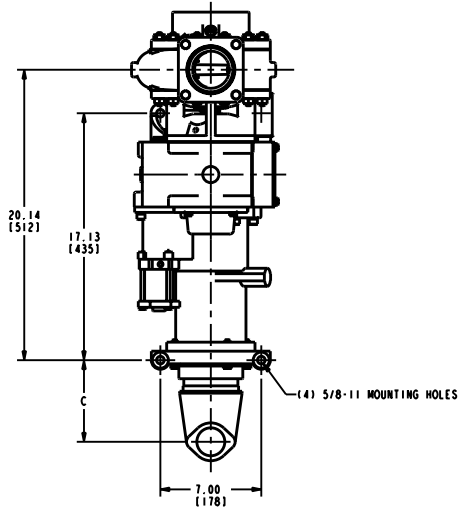
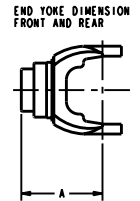
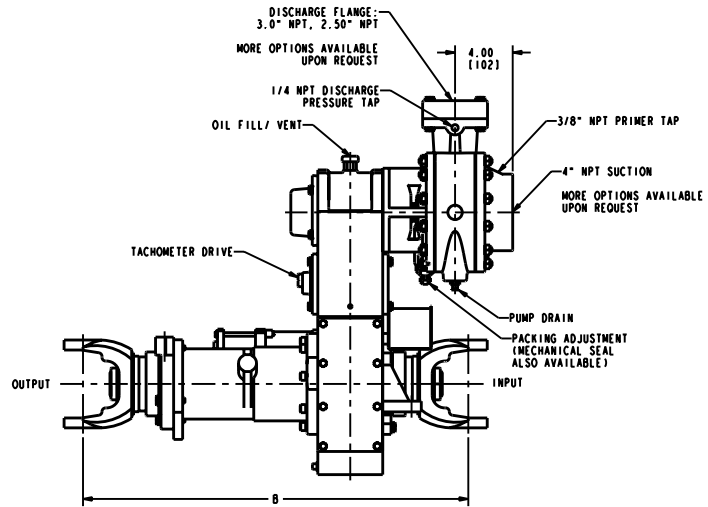
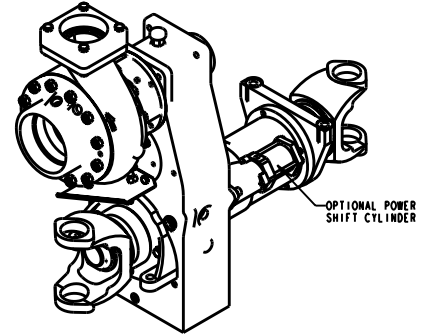


| 2.5" SHAFTS | | | |
|-------------|---------------|----------------|--------------|
| YOKE SERIES | A | B | C |
| 1550 | 5.75 (146) | 26.92 (684) | 3.12 (79) |
| 1610 | 6.12 (155) | 26.66 (703) | 3.49 (89) |
| 1710 | 5.63 (143) | 26.68 (678) | 3.00 (76) |
| 1760 | 6.00 (152) | 27.42 (696) | 3.37 (86) |
| 1810 | 5.88 (149) | 27.18 (690) | 3.25 (83) |



APPROXIMATE WEIGHT: 475 LBS (215 KG)



| REVISIONS | | | |
|-----------|-------------|------|--------------|
| LTB | DESCRIPTION | DATE | CHG NO. APPR |
| | | | |

REMOVE SHARP EDGES

1 INCH (25.4 MILLIMETER)

OLD PART NO. 090118

TOLERANCE AS SHOWN

DATE 04-May-08

SCALE 1/4

DHD0118

W.S. Durley & Co. MILWAUKEE, WISCONSIN, U.S.A.

END - FINISH ASSEMBLY DIMENSIONAL