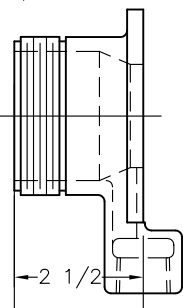
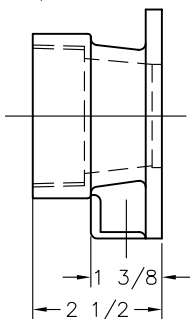


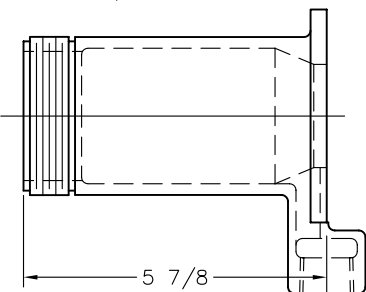
2100406
2 1/2 NH
3/4" NPT TAP



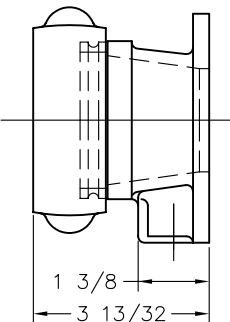
2101500
2 1/2 NPT FE
3/4" NPT TAP



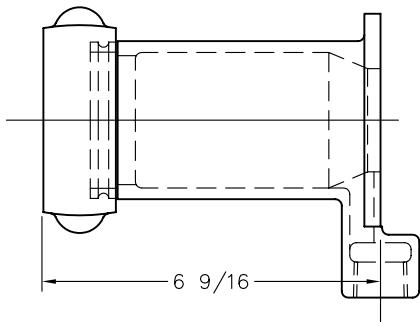
2100400
2 1/2 NH
3/4" NPT TAP



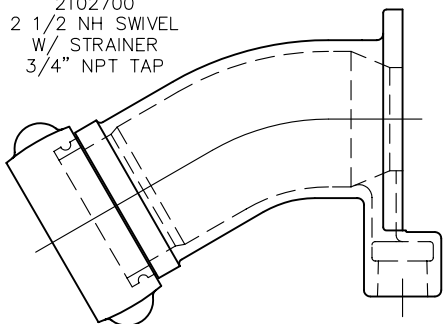
2100701
2 1/2 NH SWIVEL
W/ STRAINER
3/4" NPT TAP



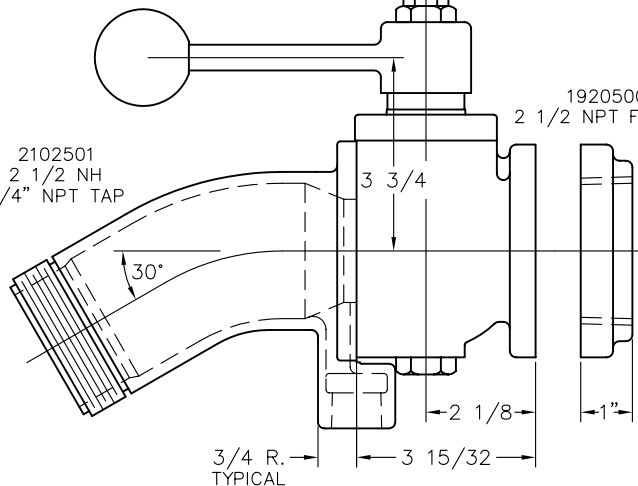
2100403
2 1/2 NH SWIVEL
W/ STRAINER
3/4" NPT TAP



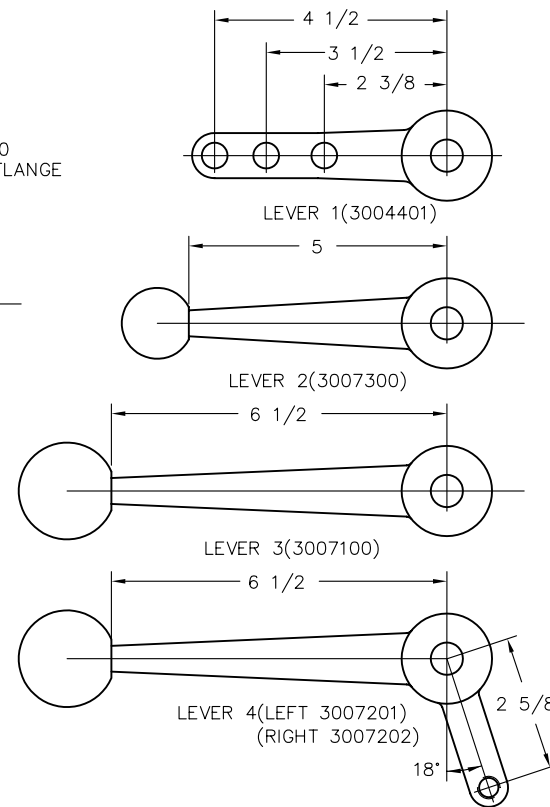
2102700
2 1/2 NH SWIVEL
W/ STRAINER
3/4" NPT TAP



2102501
2 1/2 NH
3/4" NPT TAP



1920500
2 1/2 NPT FLANGE



TOLERANCE
EXCEPT
AS NOTED
FRAC DIM ±.01
.00 ±.01
.000 ±.005
ANGLES ±1°

W.S. DARLEY & CO.
MELROSE PARK, IL - CHIPPEWA FALLS, WI

2.50 BALL VALVE
OPTIONS

THIS DESIGN IS THE PROPERTY OF
W.S. DARLEY AND CO. - UNAUTHORIZED
REPRODUCTION IS PROHIBITED

DO NOT SCALE PRINT

DR'N S. LEE
CHKD
TRCD

DATE MAR07,97
SCALE 1/2

DGM0110