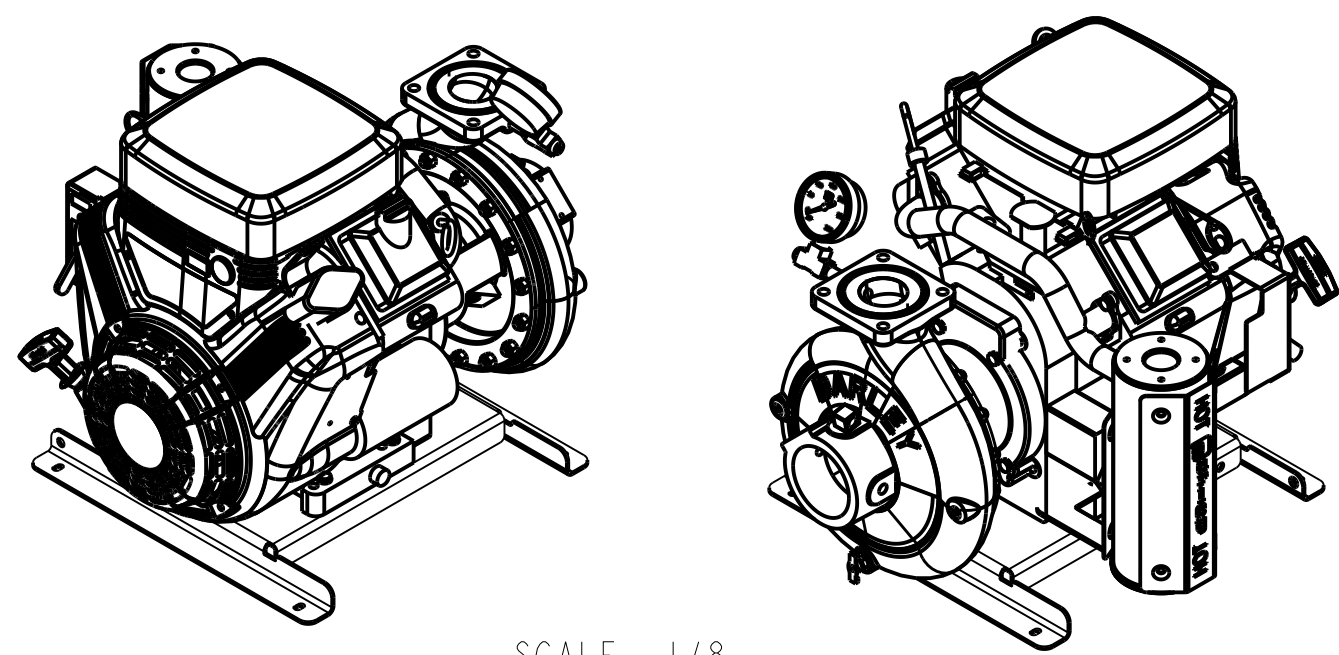
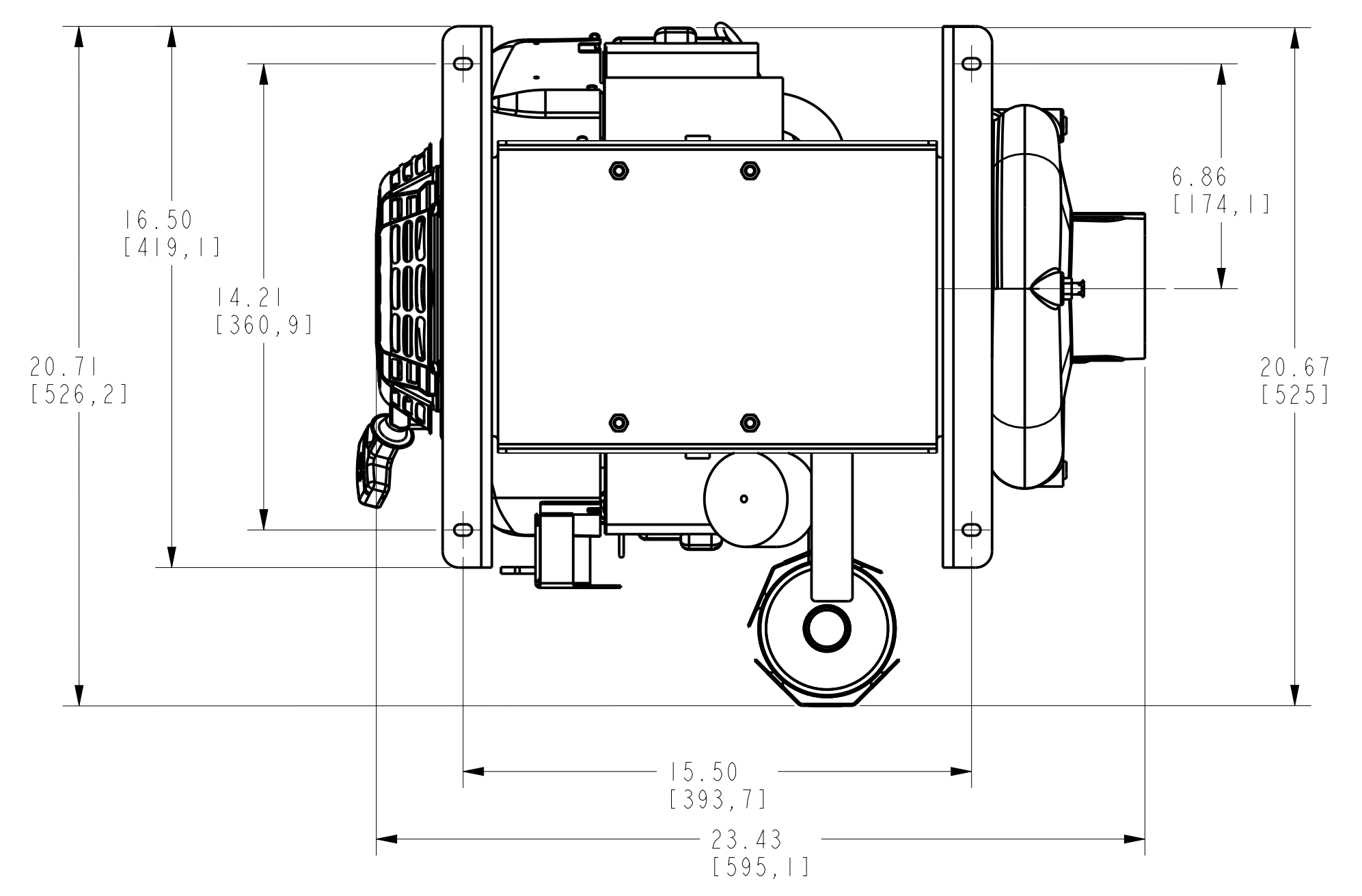
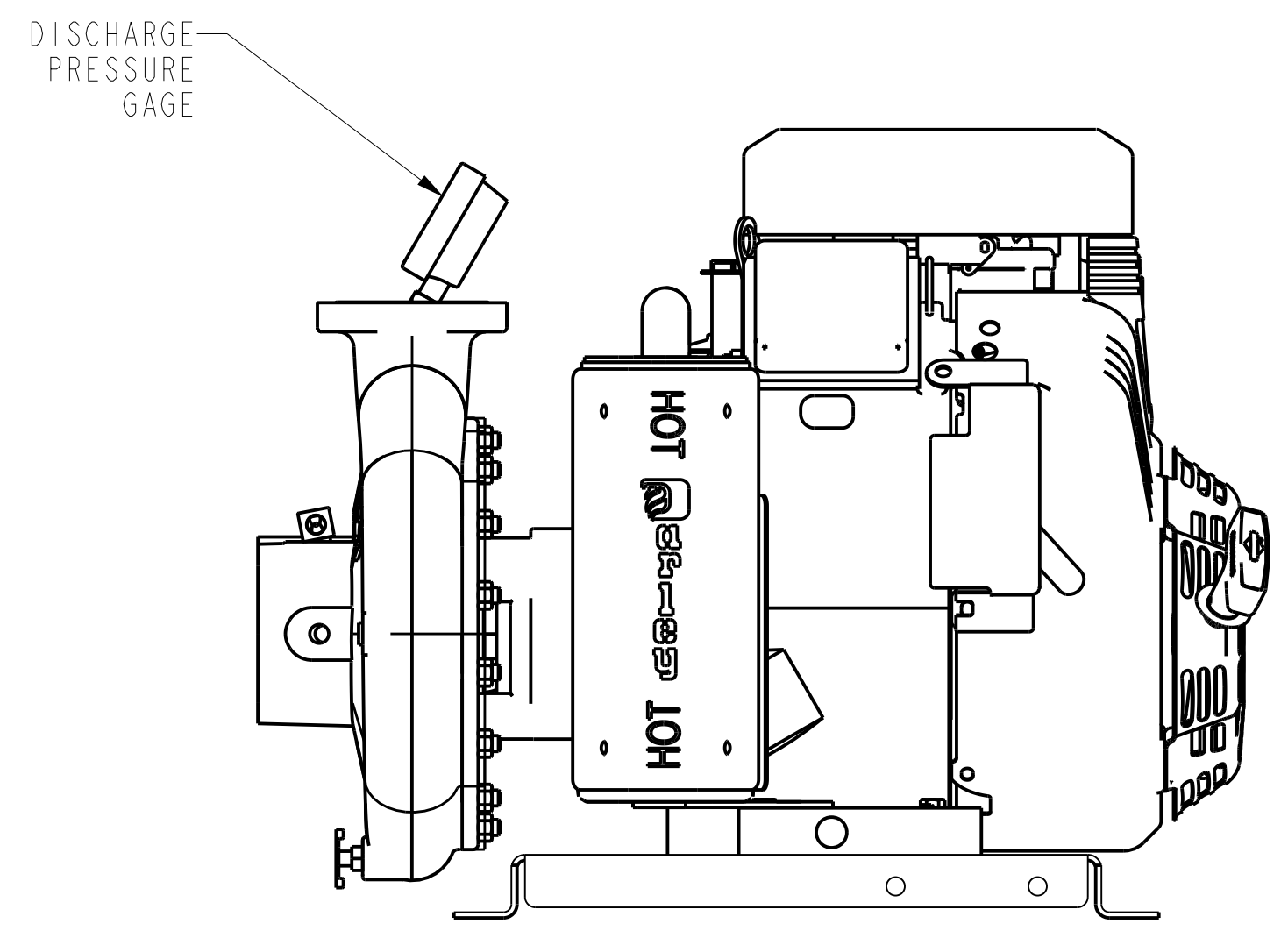
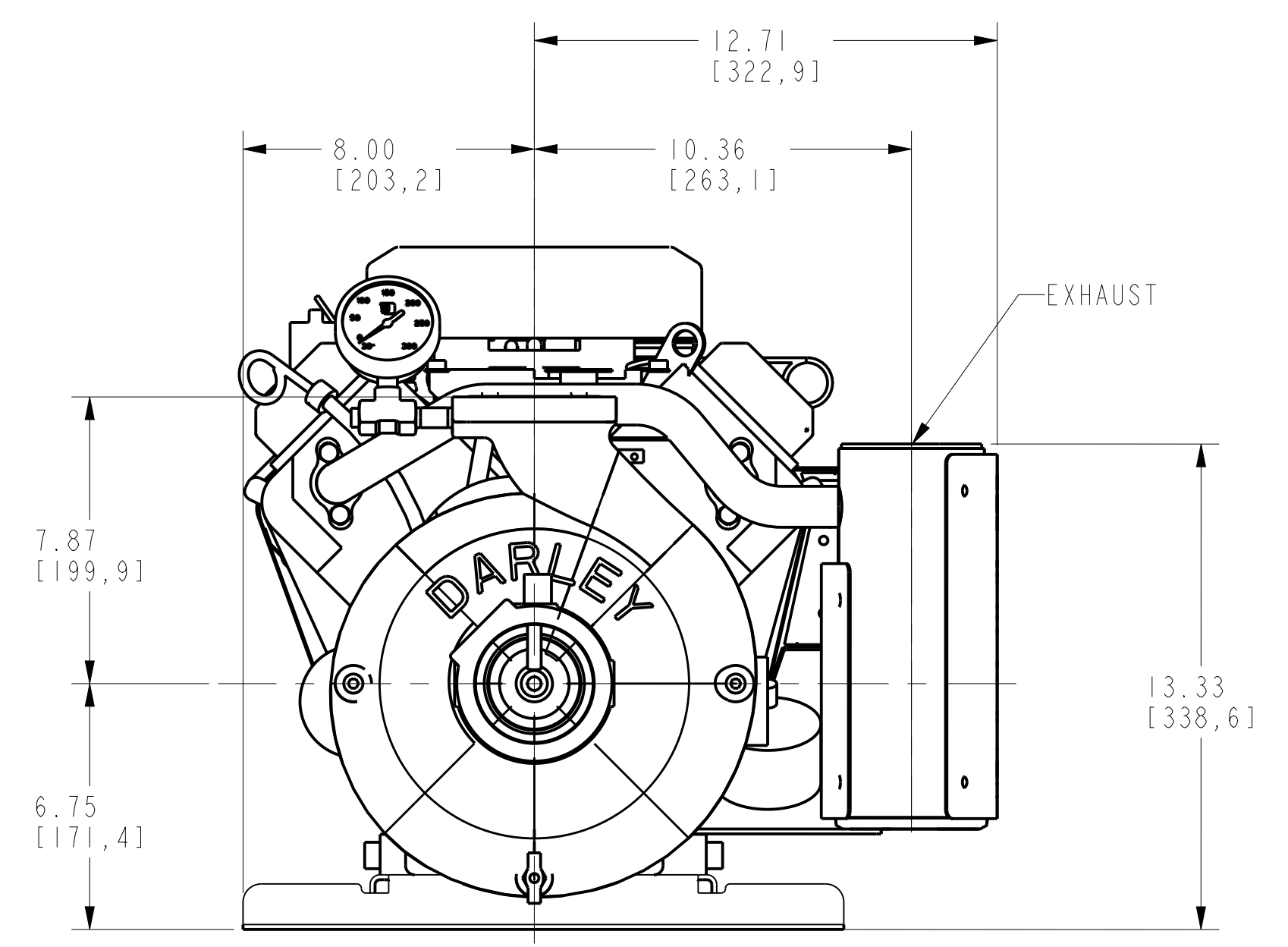
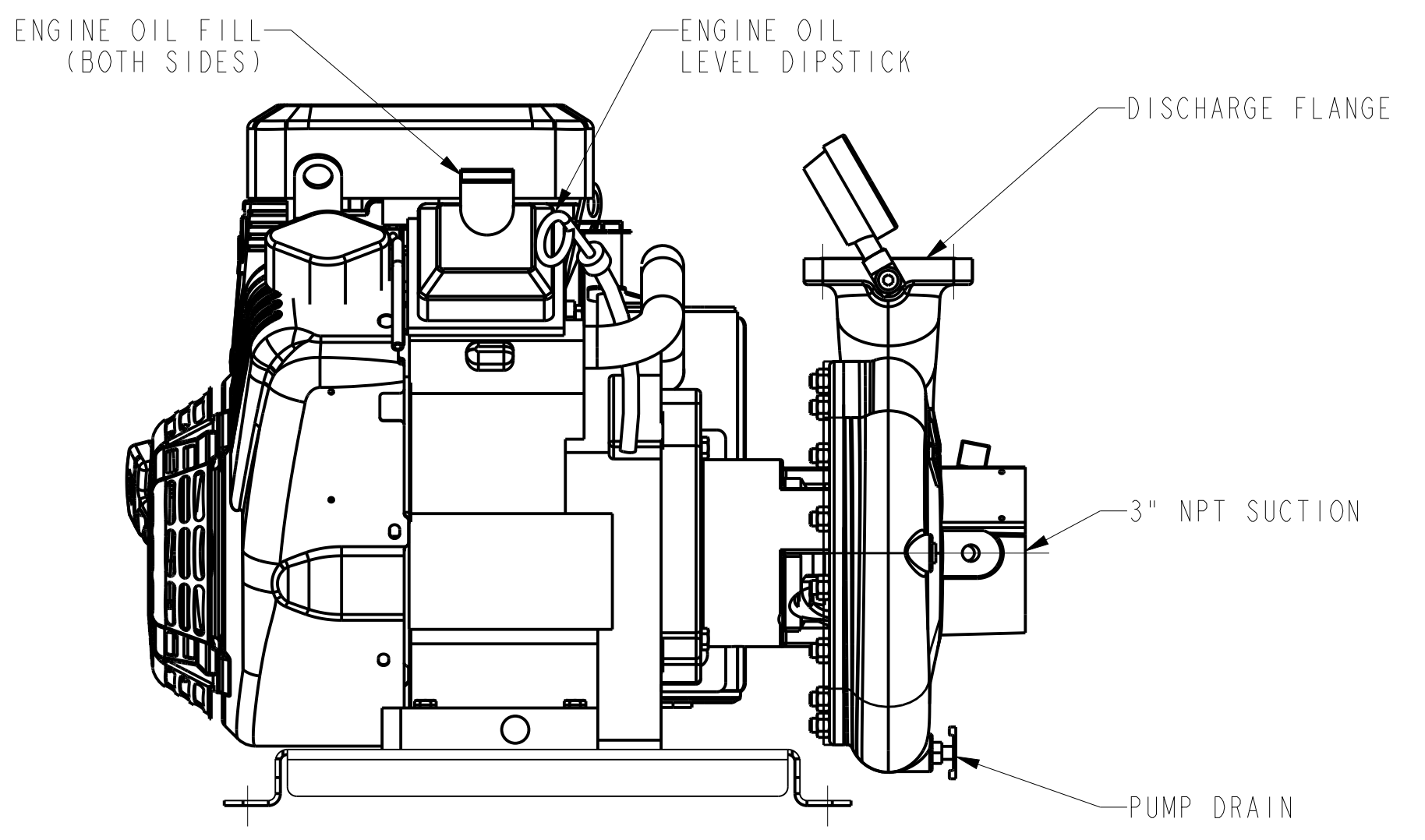
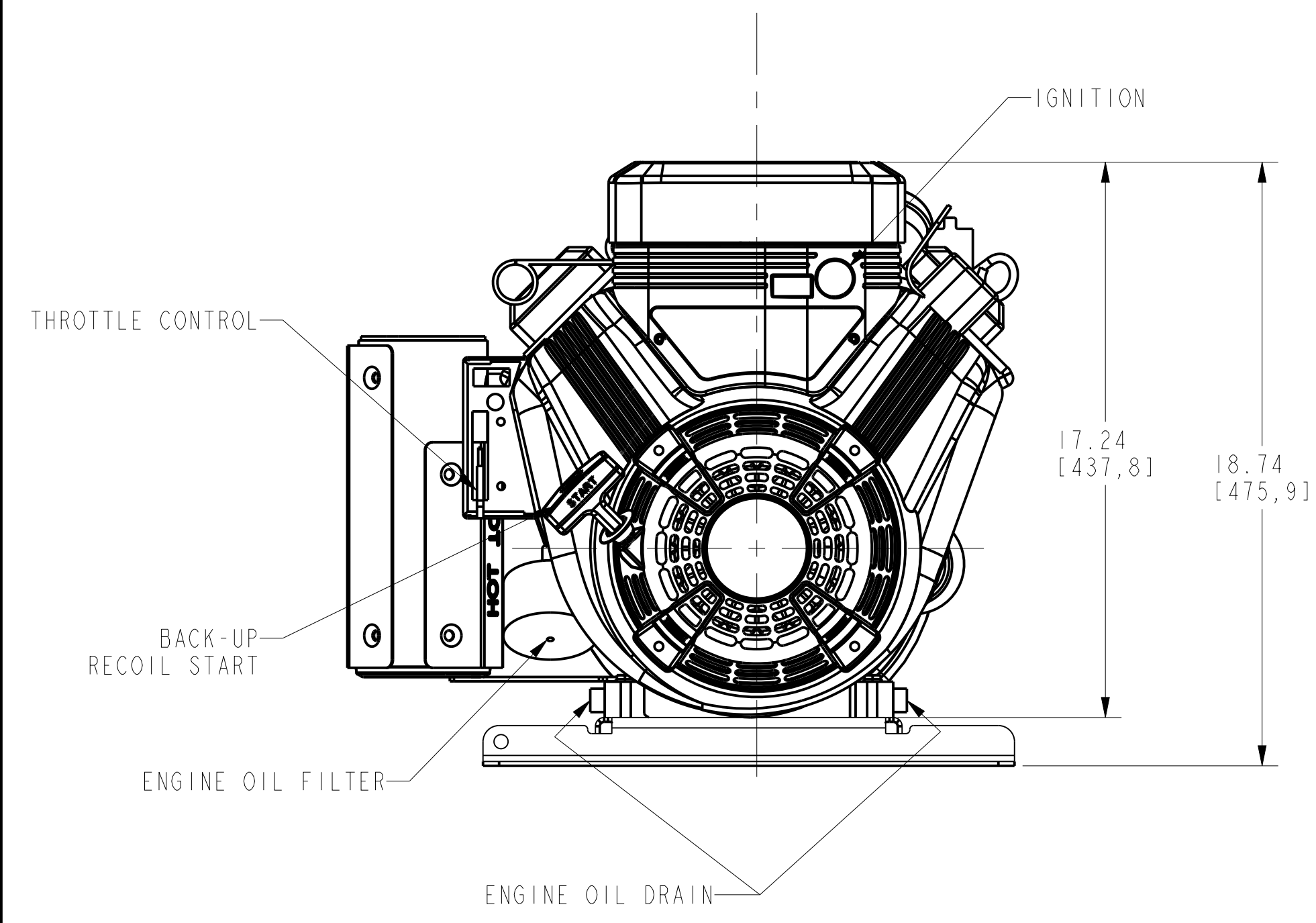
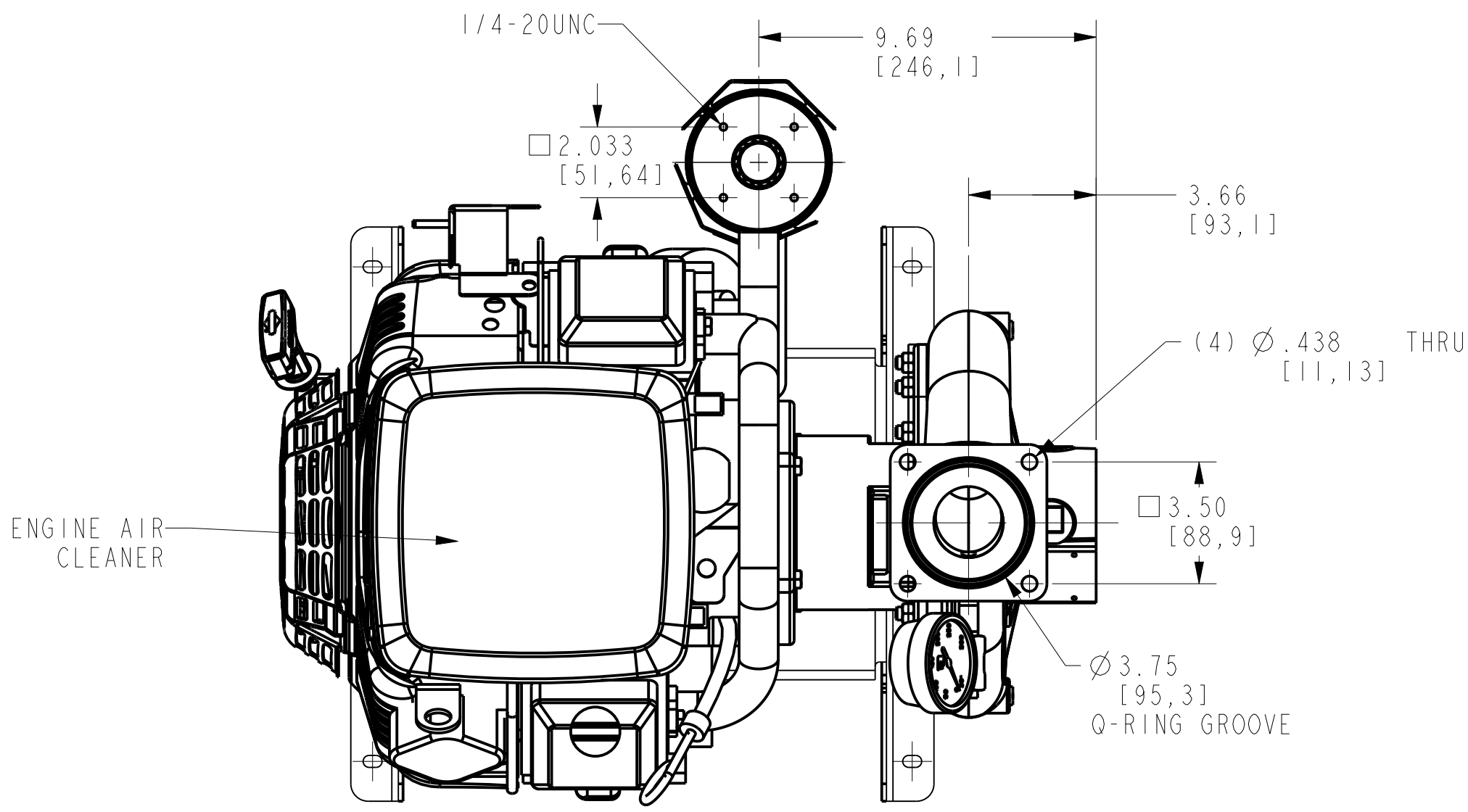


REVISIONS				
LTR	DESCRIPTION	DATE	CHG NO.	APPR'D



SCALE 1/8



APPROXIMATE WEIGHT: 139 LBS (63 KG)

REMOVE SHARP EDGES		INCH (MILLIMETER)		TOLERANCE EXCEPT AS NOTED .00 ± .03 .000 ± .010 ANGLES ± 1°			
MATERIAL DESCRIPTION:		MATERIAL NO.	PATTERN NO.	DWG - 2BE18V, SKID BASIC UNIT		MODEL NAME: DBD0219 MDL CREATED: 8 JAN 2015 SHEET: 1/1	
THIS DESIGN IS THE PROPERTY OF W.S. DARLEY AND CO. - UNAUTHORIZED REPRODUCTION IS PROHIBITED		ALL DIMENSIONS IN INCHES UNLESS NOTED		DO NOT SCALE PRINT		DATE 09-JUN-15 SCALE 1/4 DBD0219	