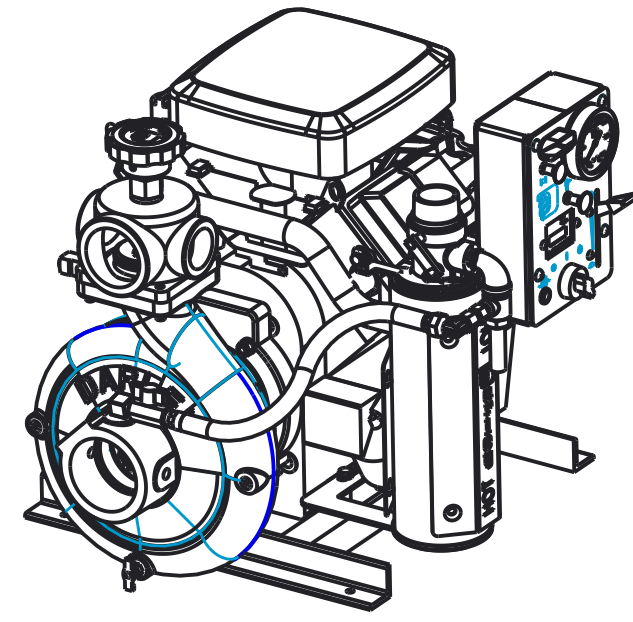
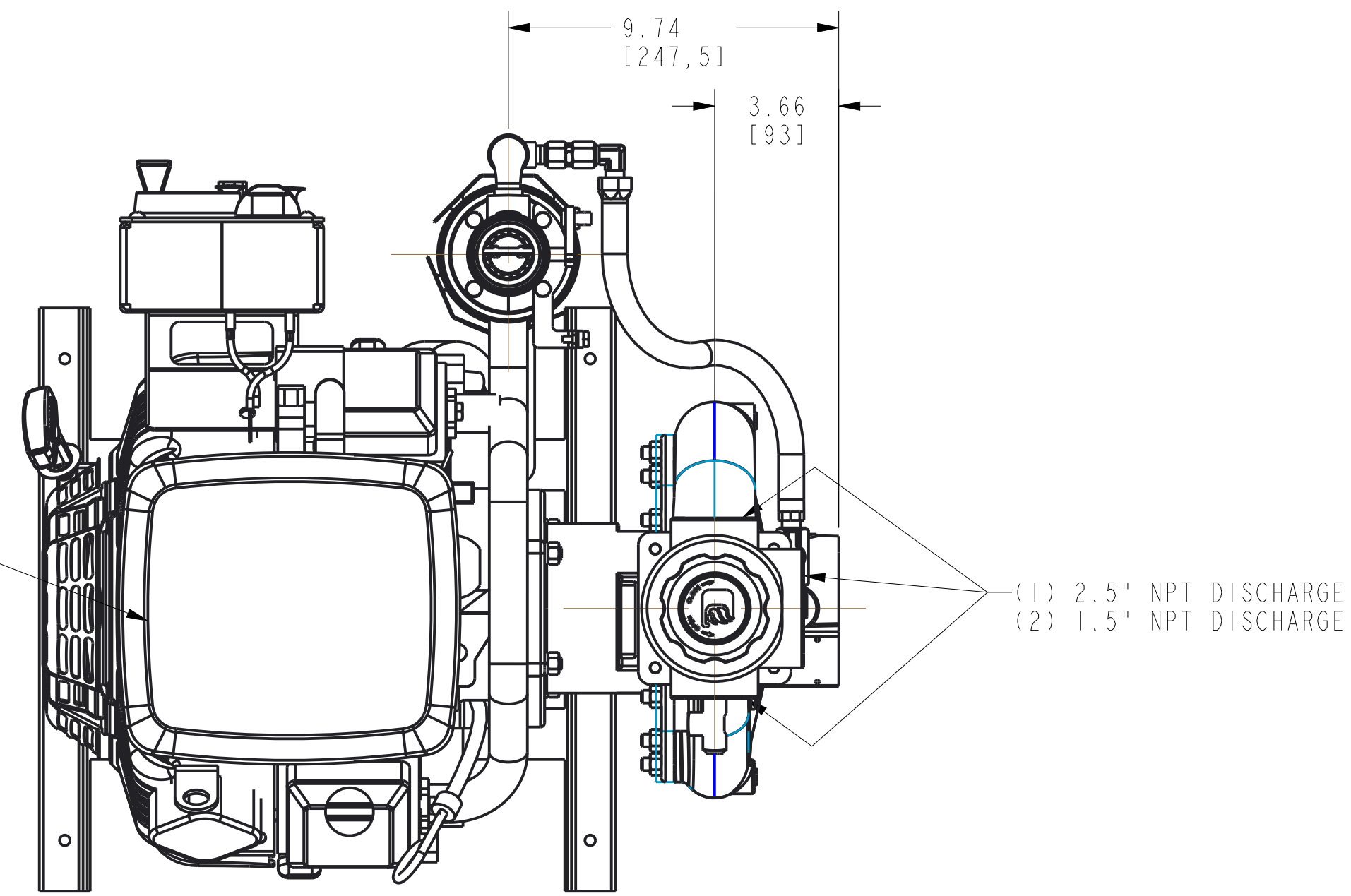


| REVISIONS | | | | |
|-----------|-------------|------|---------|--------|
| LTR | DESCRIPTION | DATE | CHG NO. | APPR'D |
| | | | | |

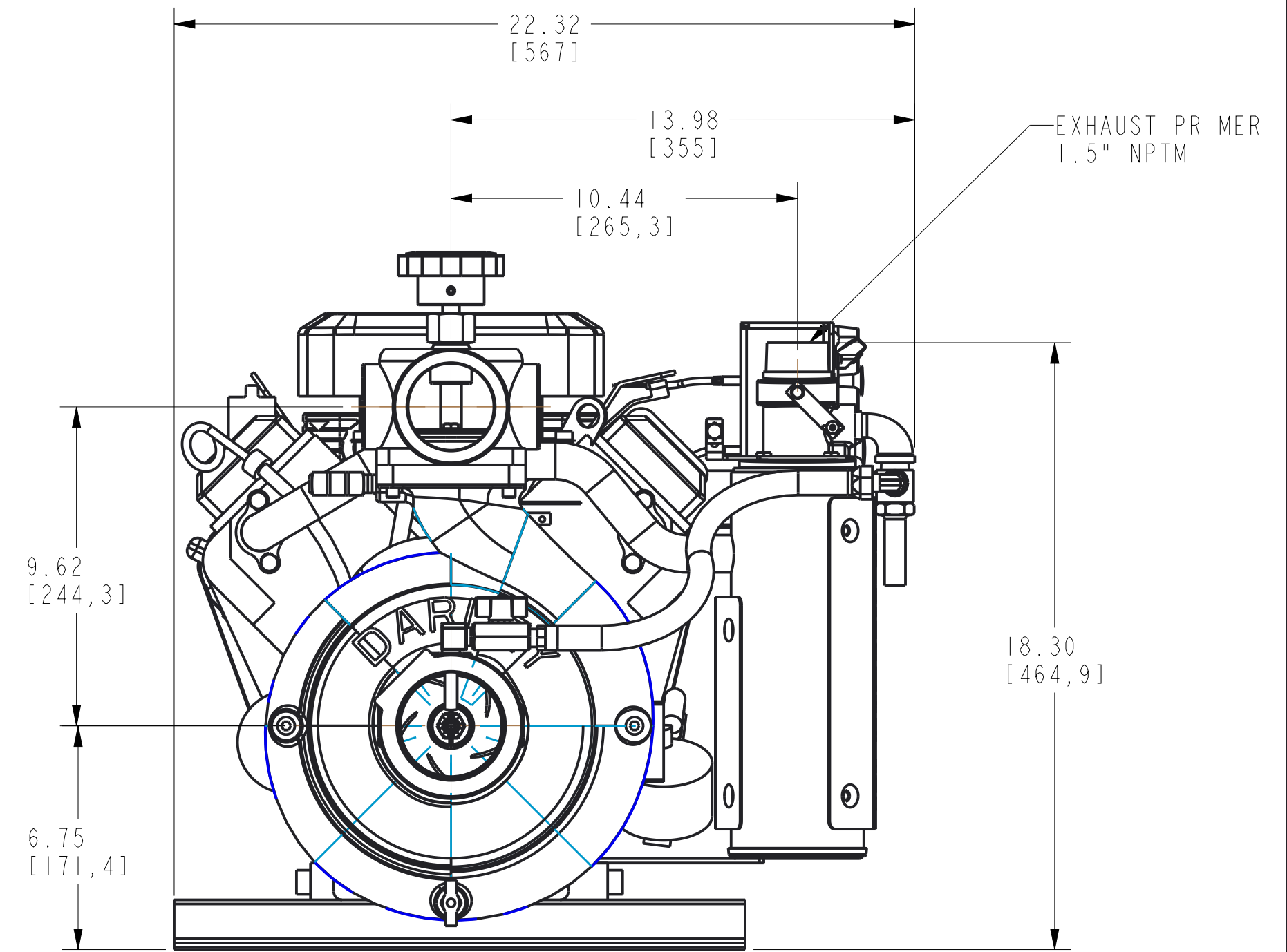
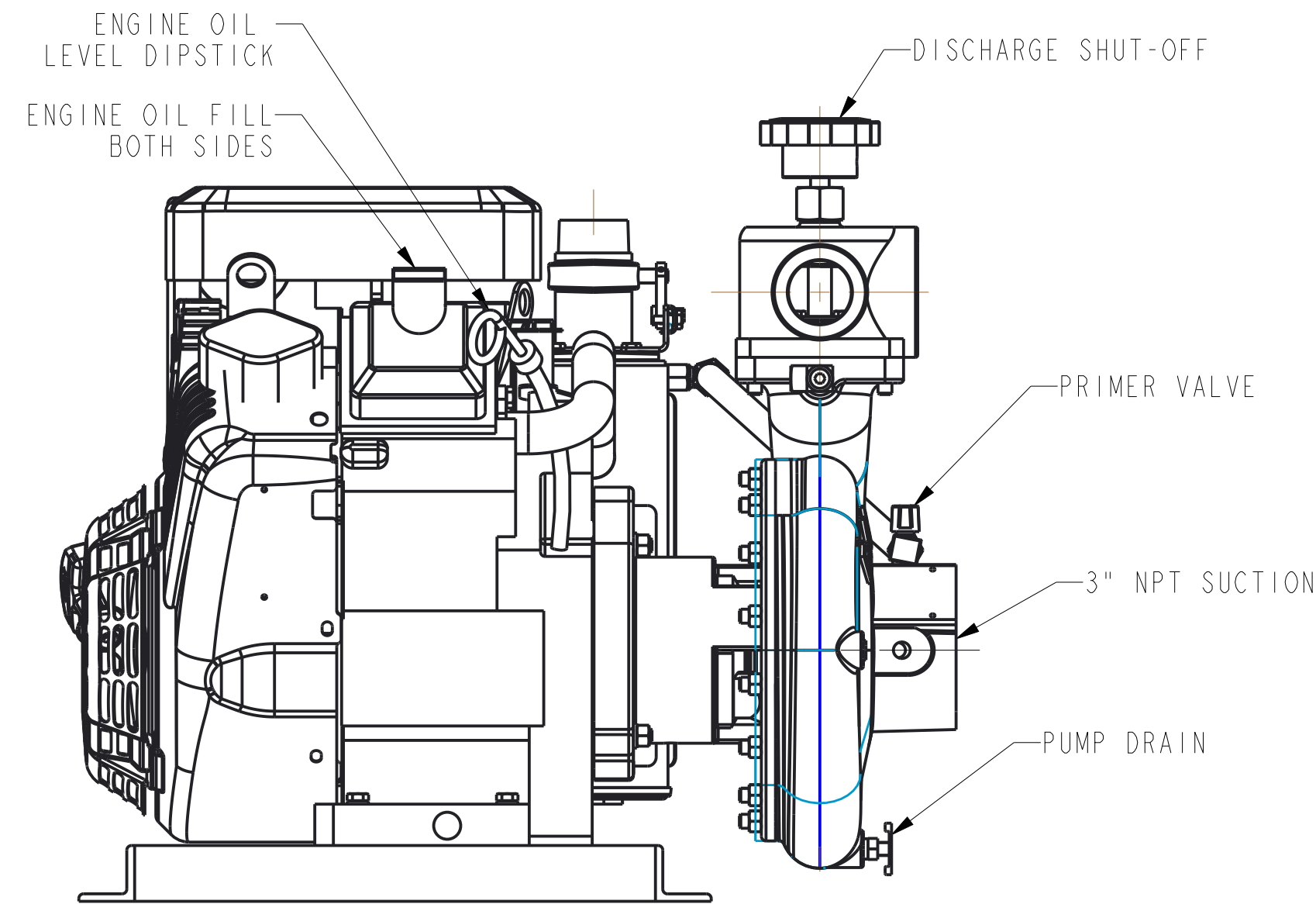
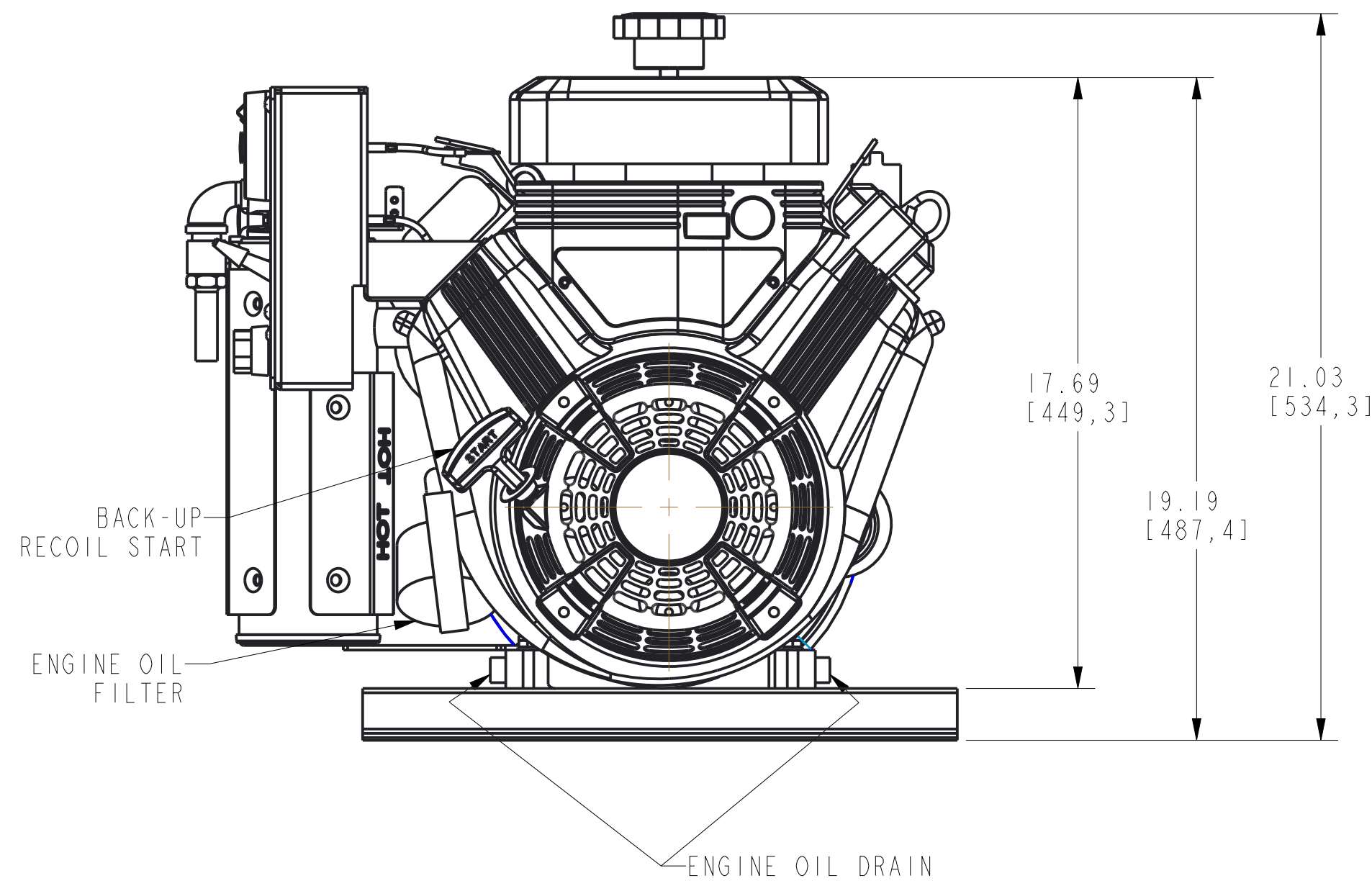


SCALE 1/8

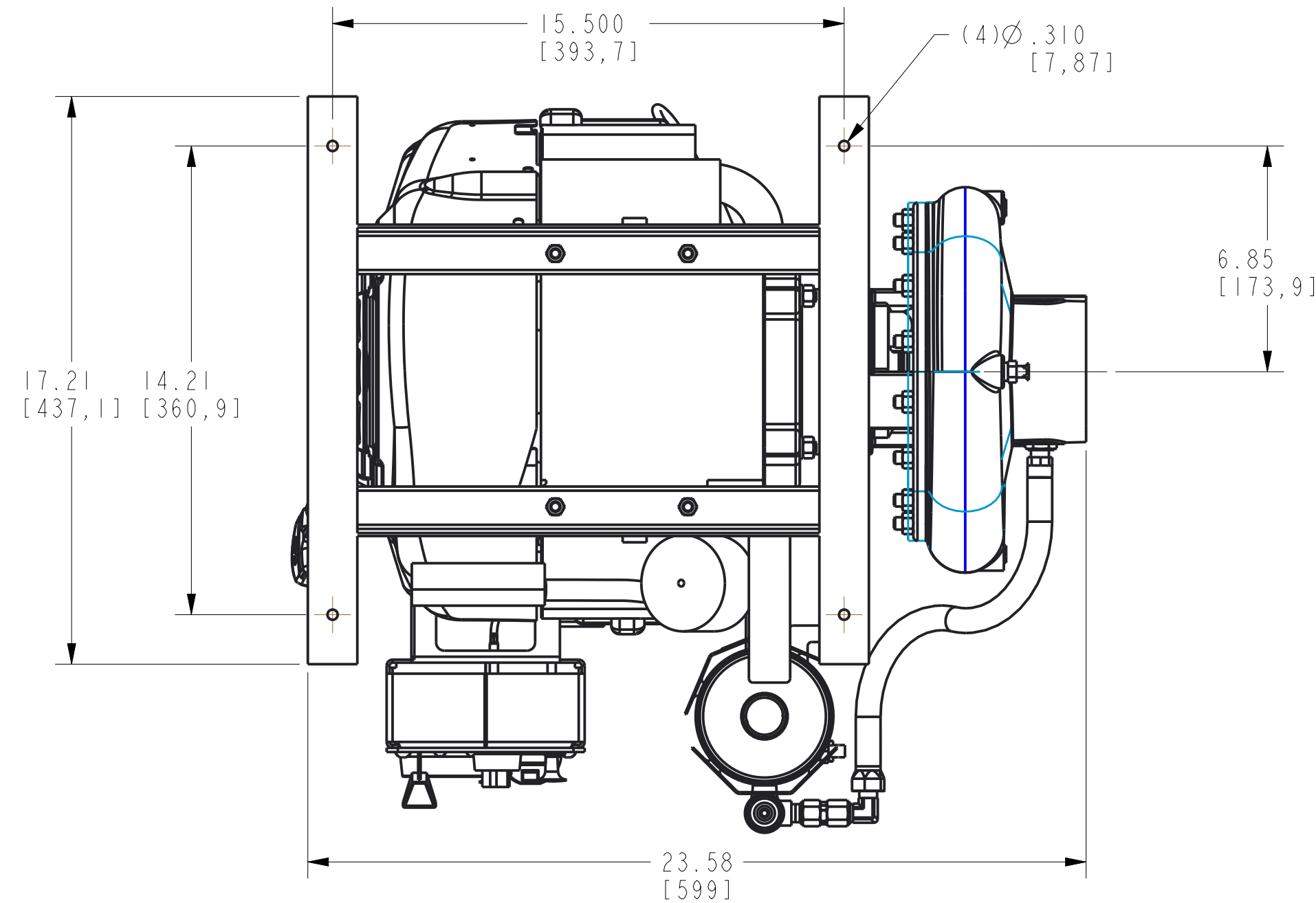
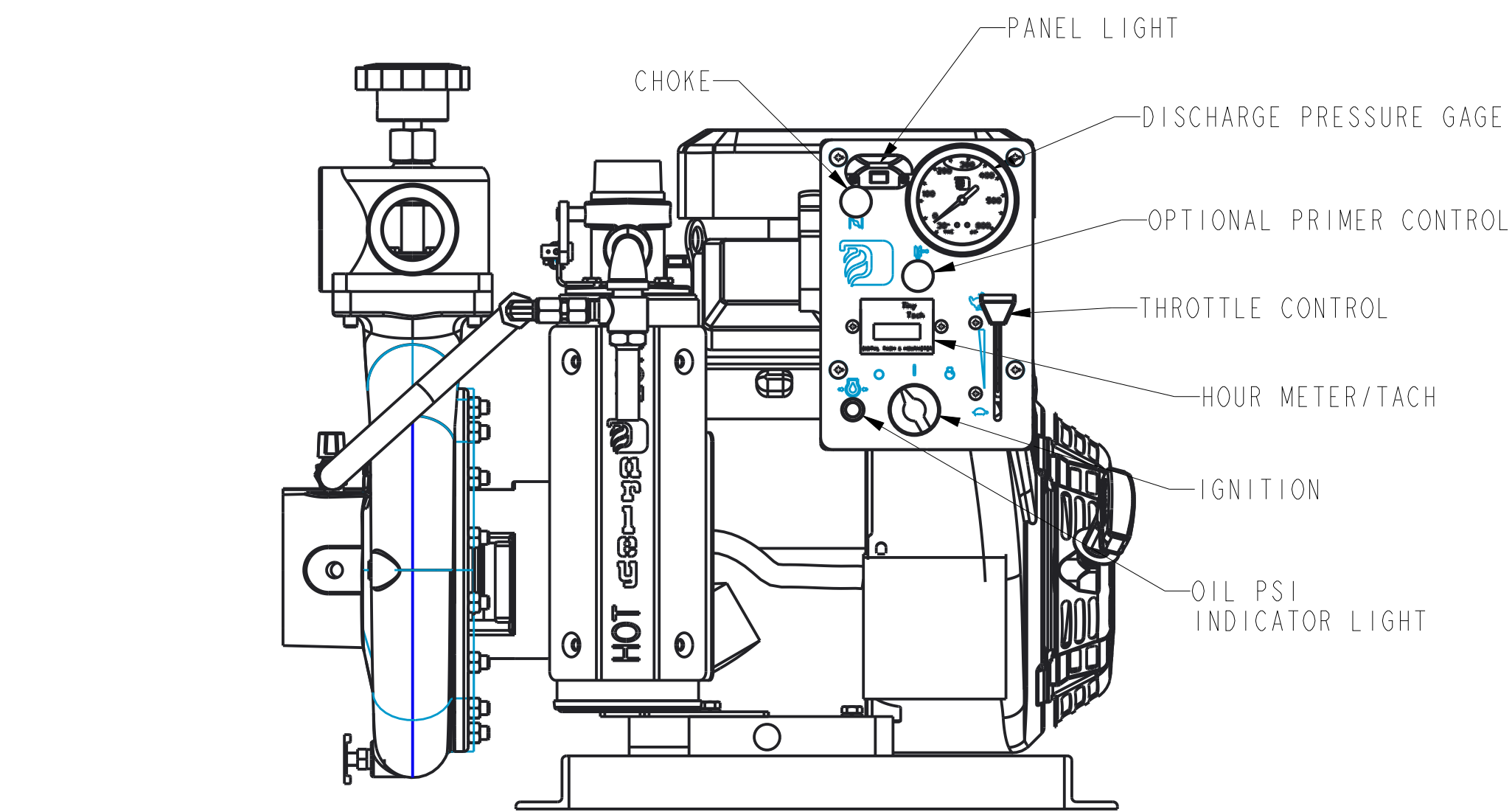
ENGINE AIR CLEANER



(1) 2.5" NPT DISCHARGE
(2) 1.5" NPT DISCHARGE



APPROXIMATE WEIGHT: 195 LBS [89 KG]



REMOVE SHARP EDGES

INCH (MILLIMETER)



| | | | | | |
|--|--------------------------|--------------|------------|-----------------|--|
| MODEL NAME DBD0216 | MOL CREATED 20MAR2014 | SHEET 1/1 | DR: N. SMS | DATE: 20-MAR-14 | W.S. Darley & Co. ITASCA, IL - CHIPPEWA FALLS, WI |
| MATERIAL DESCRIPTION: THIS DESIGN IS THE PROPERTY OF W.S. DARLEY AND CO. - UNAUTHORIZED REPRODUCTION IS PROHIBITED. | MATERIAL NO. | PATTERN NO. | CHWD: TED | SCALE: 1/4 | |

DBD0216