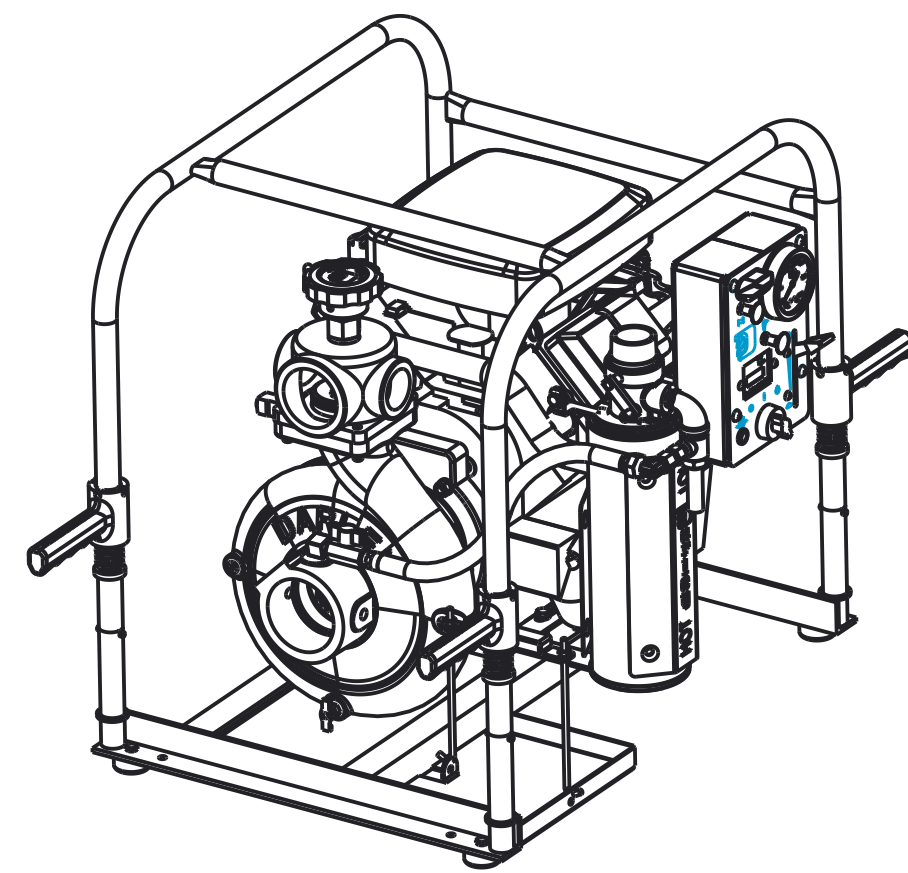
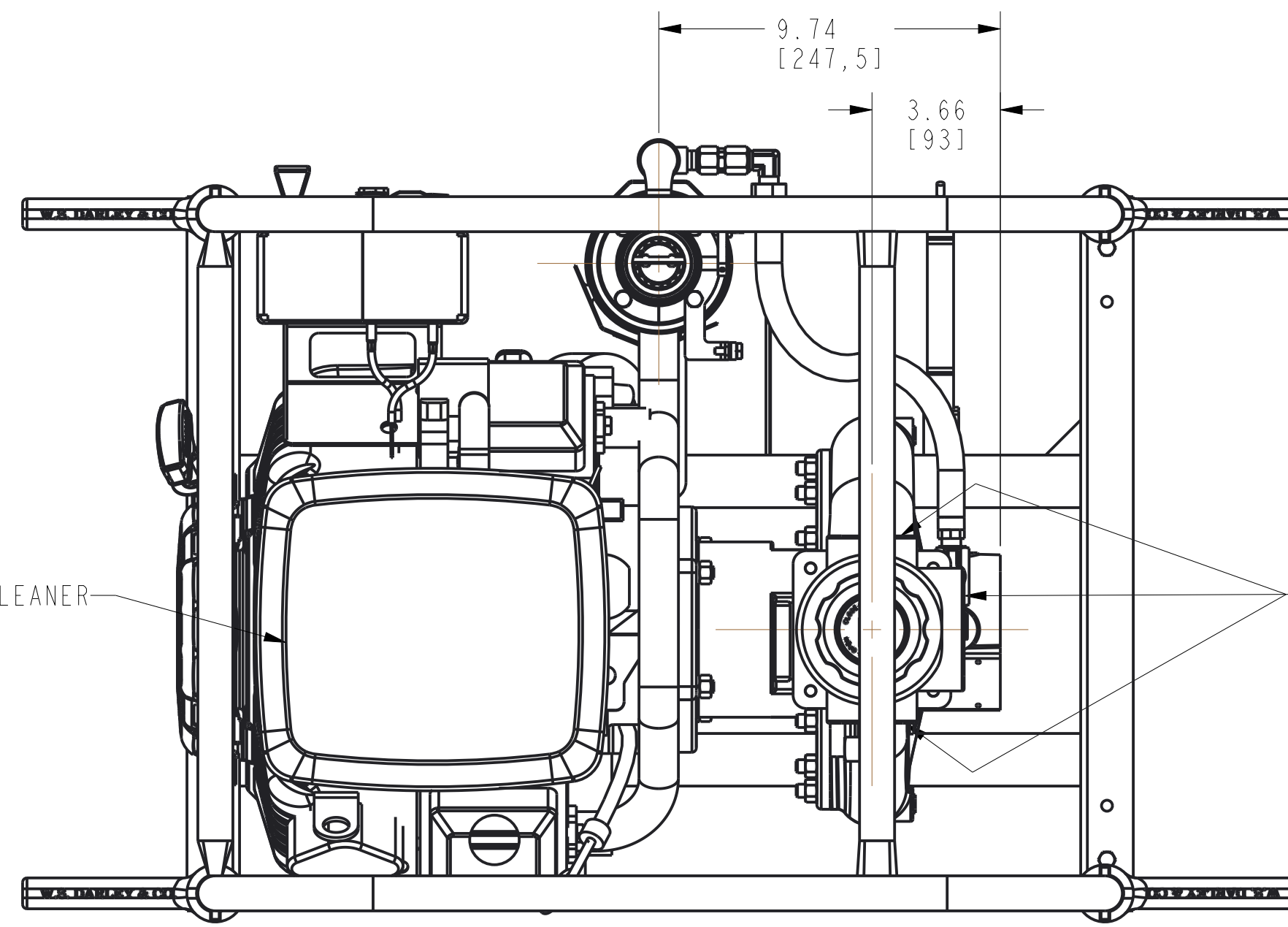


REVISIONS				
LTR	DESCRIPTION	DATE	CHG NO.	APPR'D



SCALE 1/8



ENGINE AIR CLEANER

(1) 2.5" NPT DISCHARGE  
(2) 1.5" NPT DISCHARGE

ENGINE OIL LEVEL DIPSTICK

DISCHARGE SHUT-OFF

ENGINE OIL FILL BOTH SIDES

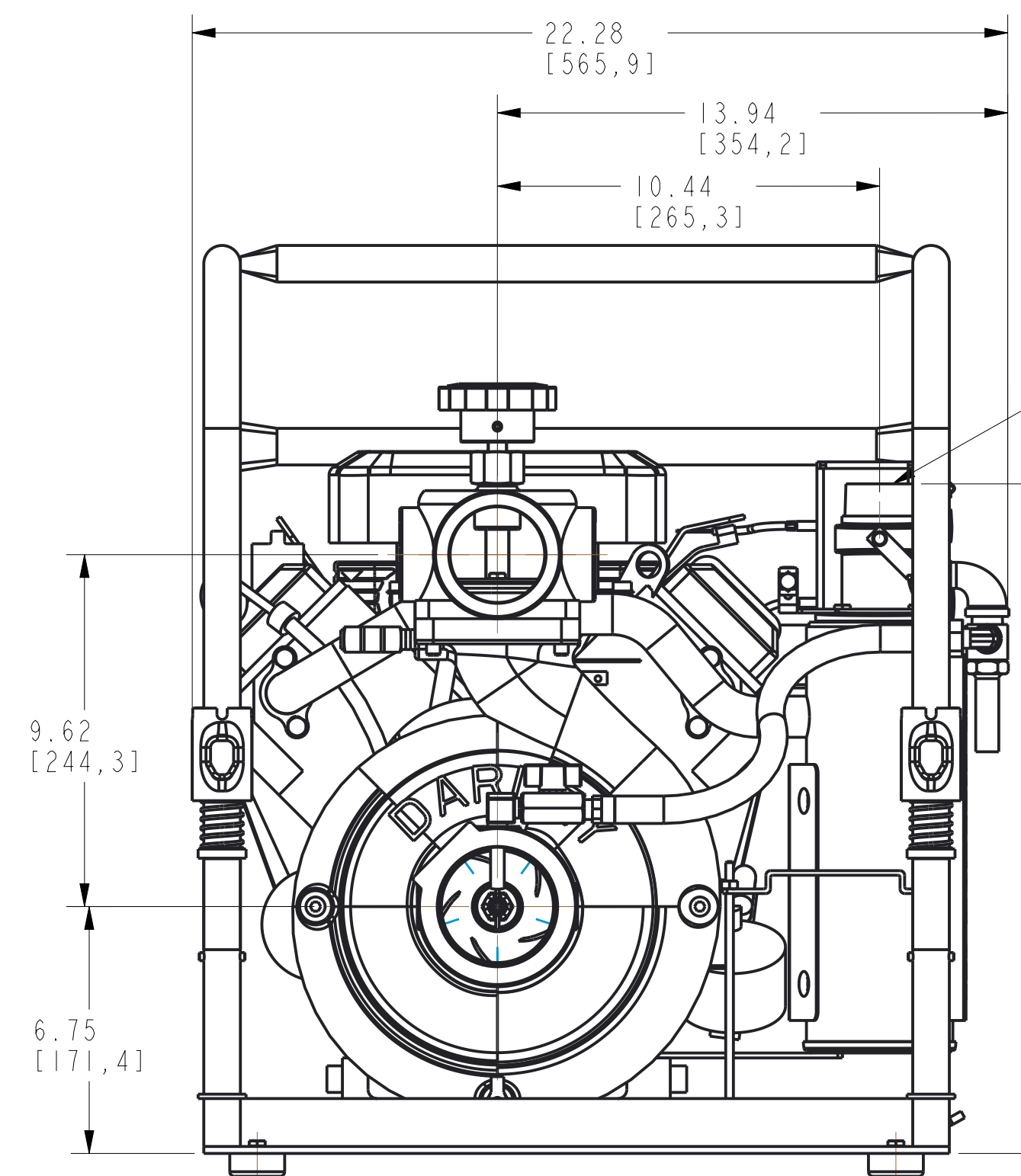
PRIMER VALVE

3" NPT SUCTION

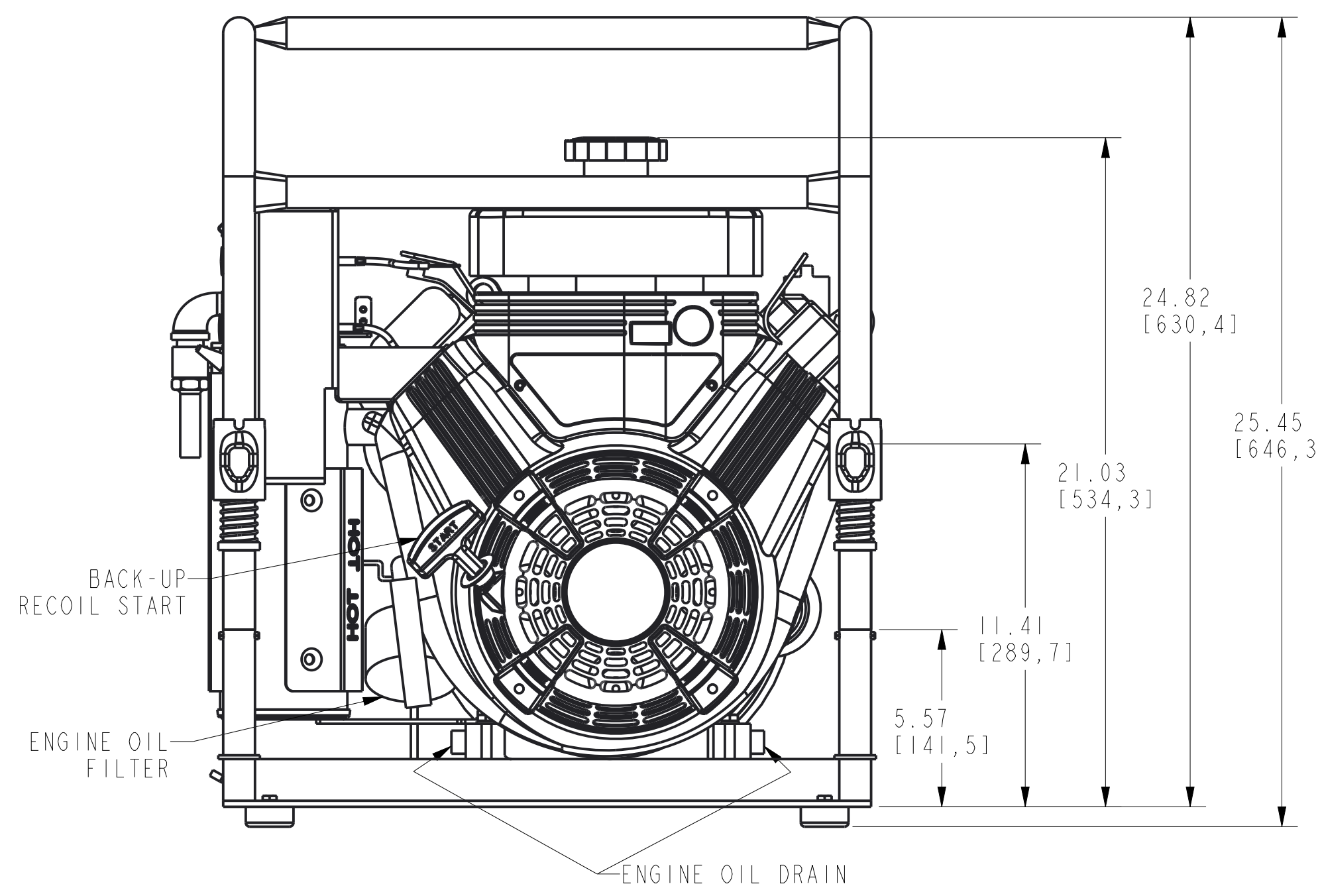
PUMP DRAIN

MIN. DEPENDENT ON HANDLE ORIENTATION 27.28 [692,8]

MAX. DEPENDENT ON HANDLE ORIENTATION 36.38 [924,1]



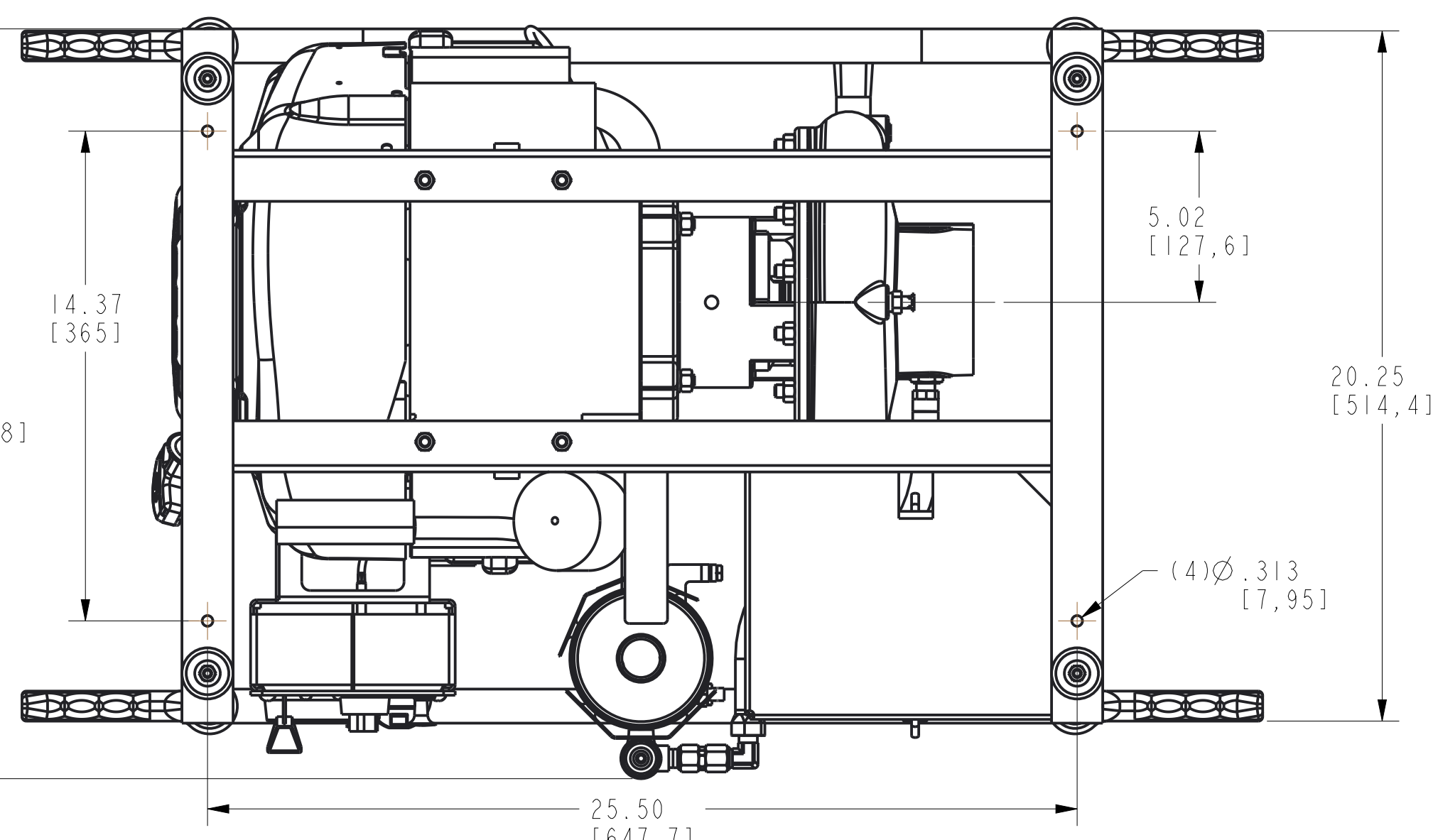
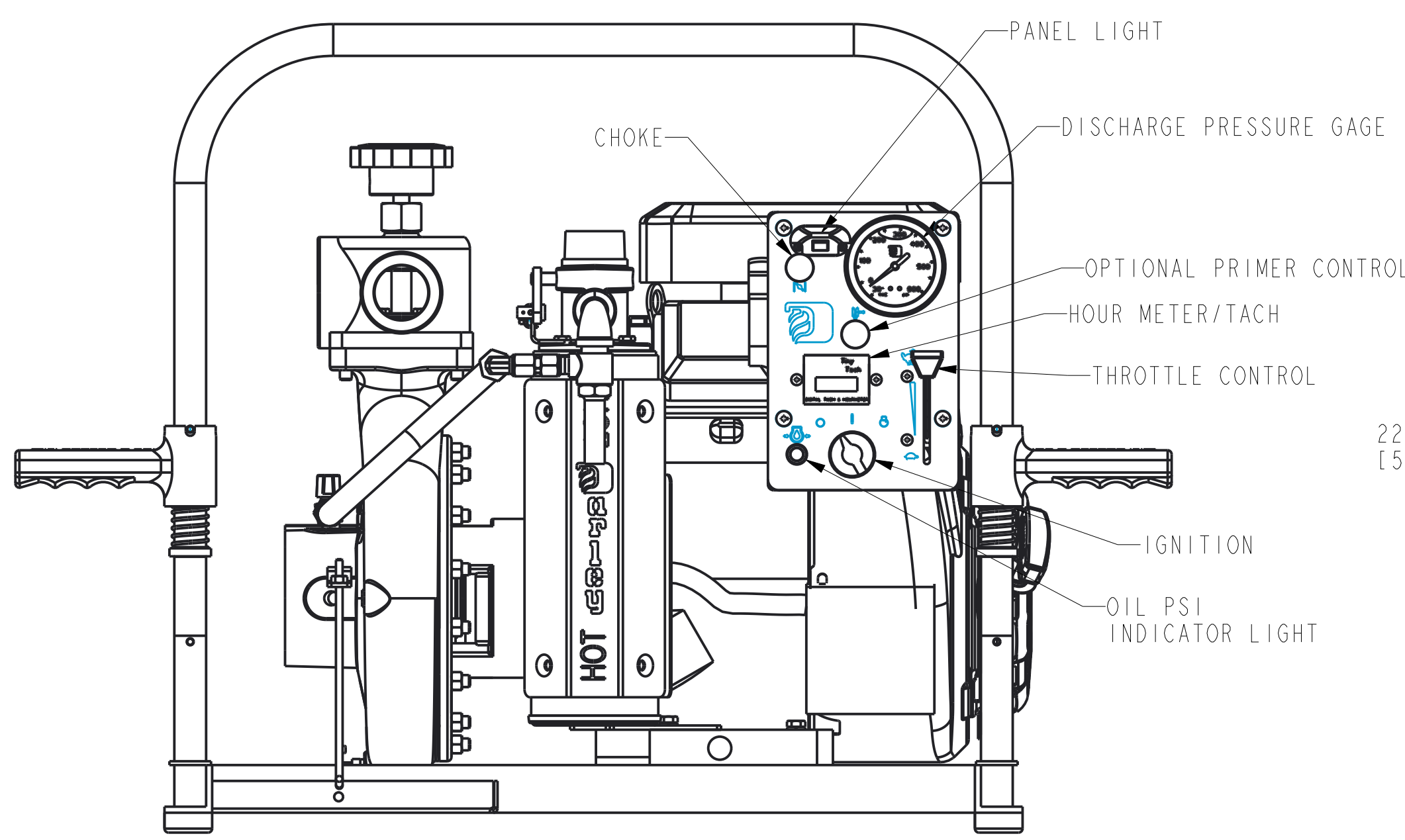
EXHAUST PRIMER 1.5" NPTM



BACK-UP RECOIL START

ENGINE OIL FILTER

ENGINE OIL DRAIN



(4) Ø .313 [7,95]

APPROXIMATE WEIGHT: 195 LBS [89 KG]

REMOVE SHARP EDGES

INCH (MILLIMETER)



OLD PART NO. TOLERANCE EXCEPT AS NOTED

W.S. Darley & Co. ITASCA, IL - CHIPPEWA FALLS, WI

MATERIAL DESCRIPTION:

MATERIAL NO. PATTERN NO.

DR: N SMS CHWD TED TRCD

DWG - 2BE23V, PORTABLE DIMENSIONAL

THIS DESIGN IS THE PROPERTY OF W.S. DARLEY AND CO. UNAUTHORIZED REPRODUCTION IS PROHIBITED

DO NOT SCALE PRINT

DATE 20-Mgt-14 SCALE 1/4 DBD0215

MODEL NAME	MOI CREATED	SHEET
DBD0215	20MAR2014	1/1 D