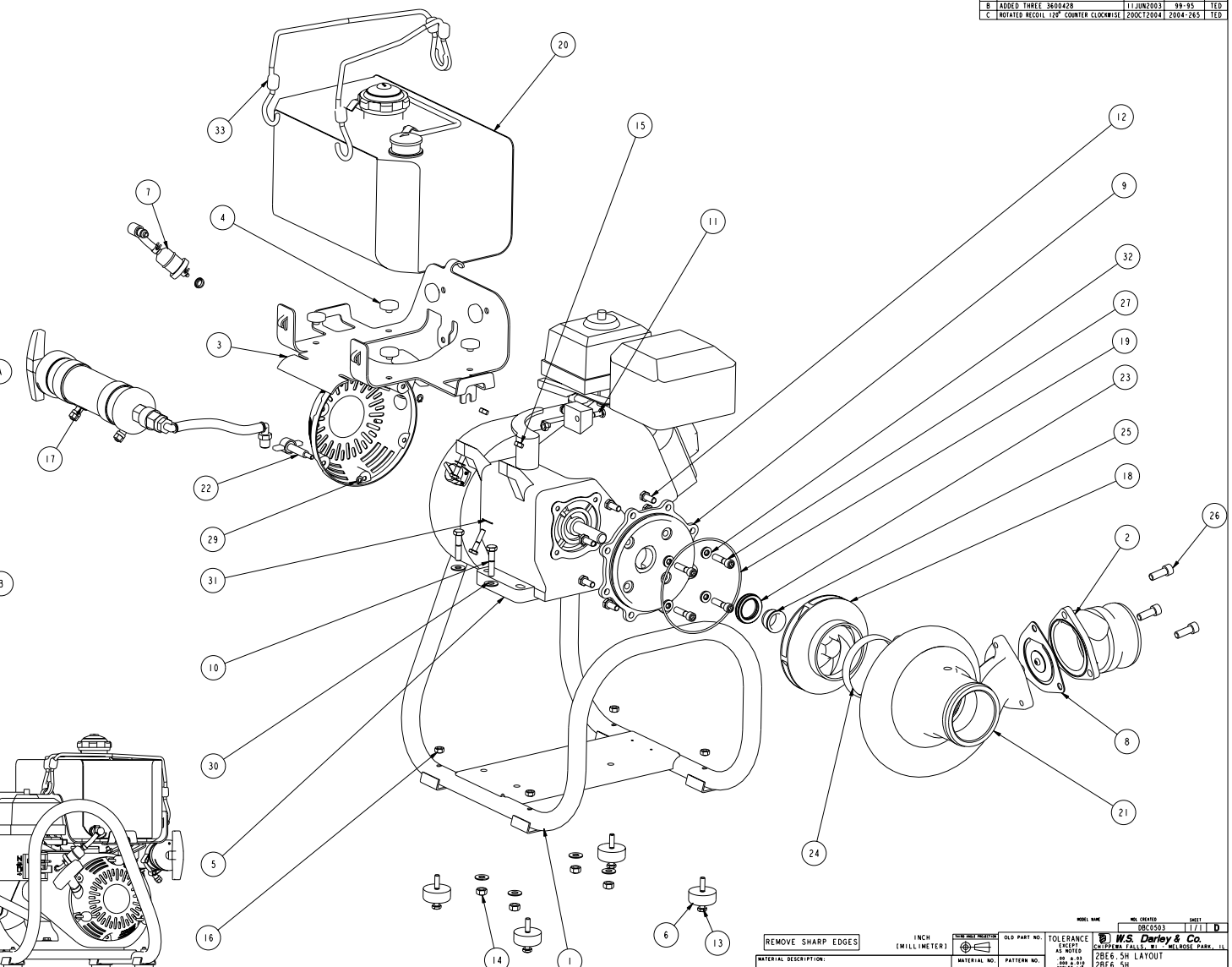


NO.	DESCRIPTION	PART NO.	QTY
1	BASE - 2BE6.5H	1683500	1
2	BODY - DISCH CHK VALVE 3IN	2056001	1
3	BRACKET - FUEL TANK MOUNT	4025803	1
4	BUMPER - 1.00 OD x .25 HIGH	4401721	6
5	ENGINE - HONDA, GX200, 6.5 HP	4216410	1
6	FOOT - RUBBER BASE	4405100	4
7	DWG - FUEL HOSE ASSEMBLY	KE00110	1
8	GASKET - DISCH CHECK VALVE ASSY	3821301	1
9	HEAD - INBOARD	2810001	1
10	HHCS - .313-18 x 1.50, SST	5400613	4
11	HHCS - .250-20 x 1.25, SST	5400637	3
12	HHCS - .313-18 x 0.75, SST	5400641	8
13	HHCS - .250-20 x 1.75, SST	5400650	4
14	NUT - HEX, .313-18, NYLOC, SST	5403400	4
15	NUT - HEX, .250-20, NYLOC, SST	5403403	3
16	NUT - HEX, .250-20, SST	5403501	4
17	DWG - HAND PRIMER, 2BE6.5H	AP00314	1
18	IMPELLER	2907700	1
19	O-RING - 5.25 x 5.44 x 0.09	3601117	1
20	KIT - GAL 3 FUEL TANK ONLY	KE00109	1
21	PUMP CASING - 2BE6.5H	2055901	1
22	SCREW ASSEMBLY - TEE KNOB	5402902	3
23	SEAL - FURON MECHANICAL, 1.12	1843400	1
24	SEAL RING, 2BE6.5H	3407000	1
25	SLEEVE - SEAL	1843300	1
26	SHCS - .375-16 x 1.00, SST	5401410	3
27	SHCS - .313-24 x 1.25, SST	5401420	4
29	RING - RETAINER, STAINLESS	3600428	3
30	WASHER - FLAT, 0.31 ID, SST	3603812	8
31	WASHER - FLAT, 0.25 ID, SST	3603814	2
32	WASHER - SS/RUBBER SEAL	3603915	4
33	TIE-DOWN, POLY 12	4427100	2

REVISIONS				
LTR	DESCRIPTION	DATE	CHG NO.	APPR'D
A	2907700 WAS 2907701	11/JUN/2003	99-95	TED
B	ADDED THREE 3600428	11/JUN/2003	99-95	TED
C	ROTATED REGRIND 120° COUNTER CLOCKWISE	2002/2004	2004-265	TED



REMOVE SHARP EDGES

1 INCH (25.4 MILLIMETER)

TOLERANCE LIMITS AS NOTED

DATE 08-JAN-98

SCALE 3/8

W.S. Darley & Co. SOUTHBRIDGE, MASS. 01545-0001

2BE6.5H LAYOUT

DATE 08-JAN-98

SCALE 3/8

DBC0502