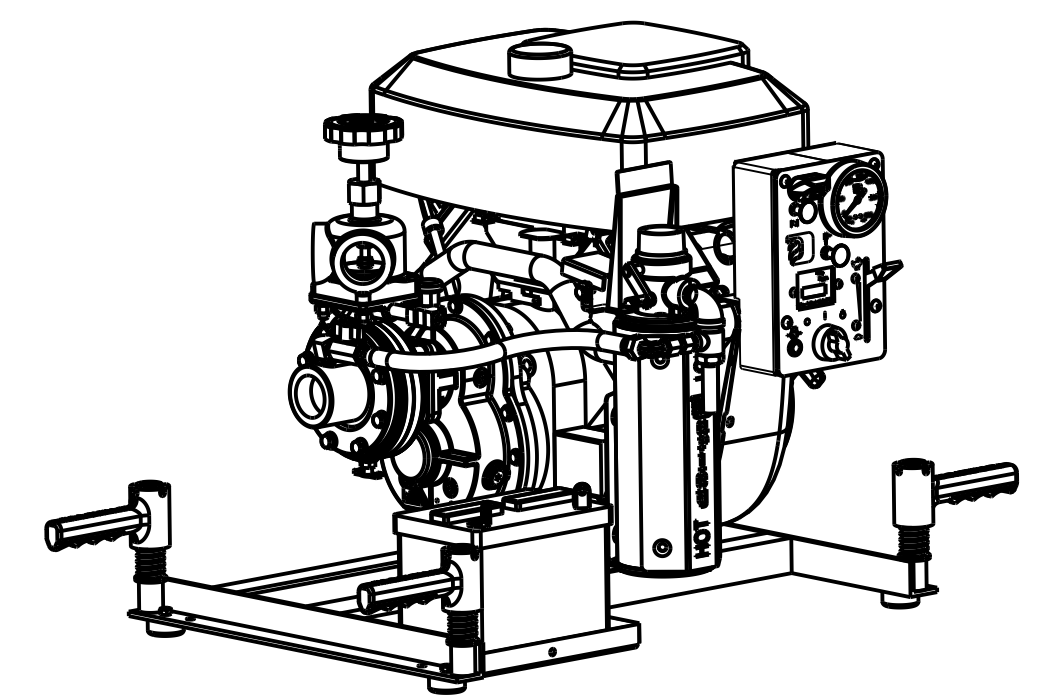
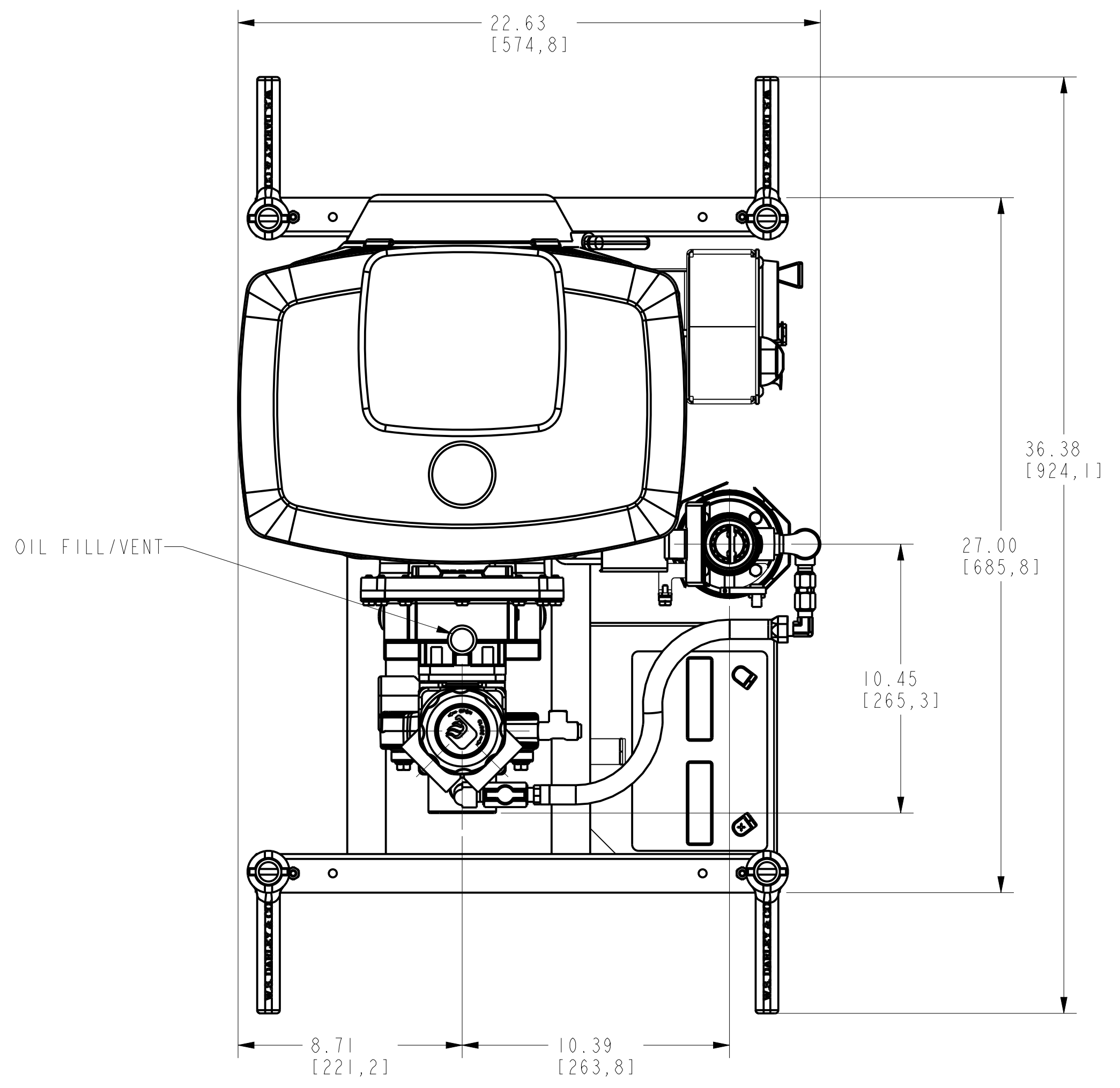
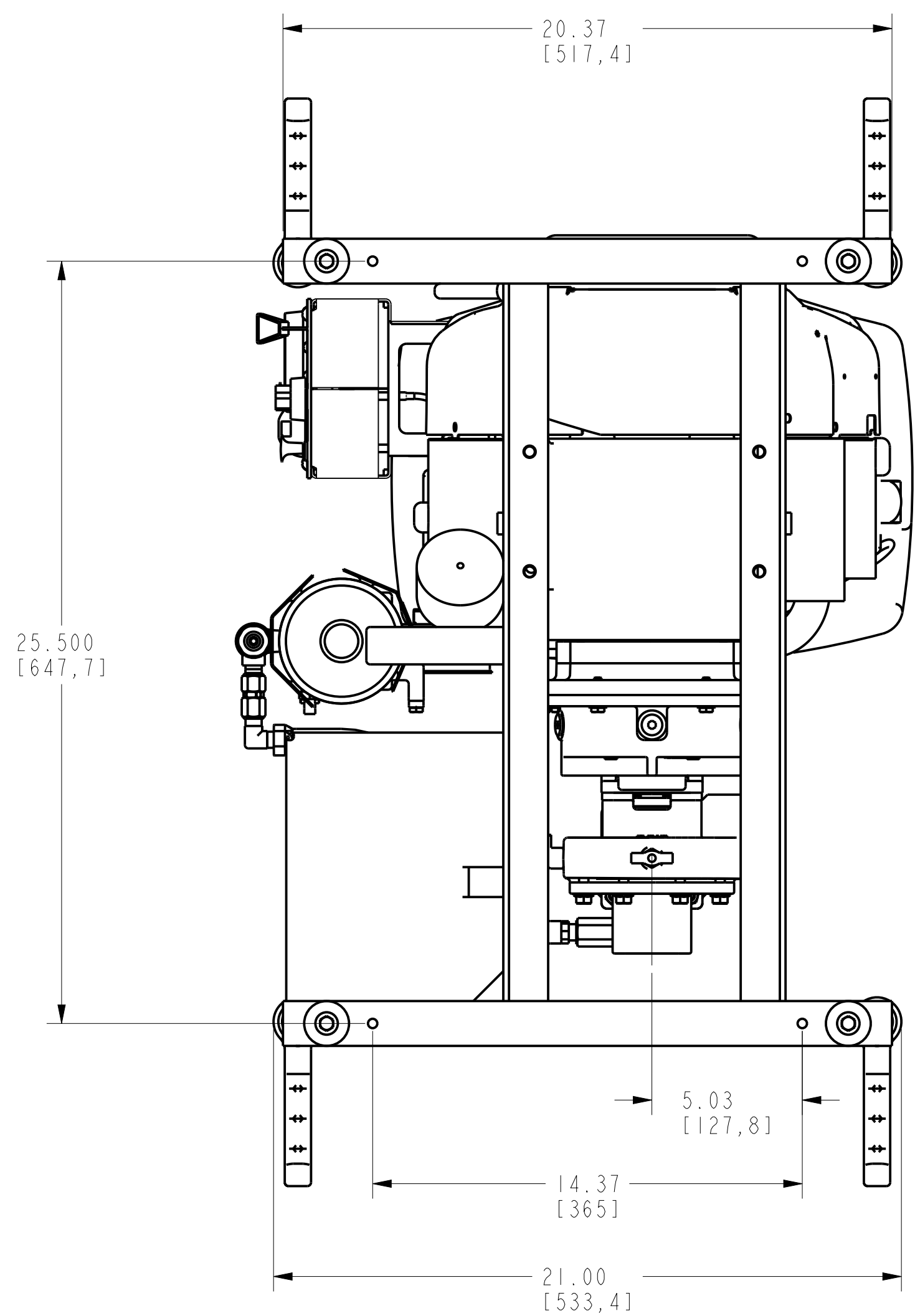
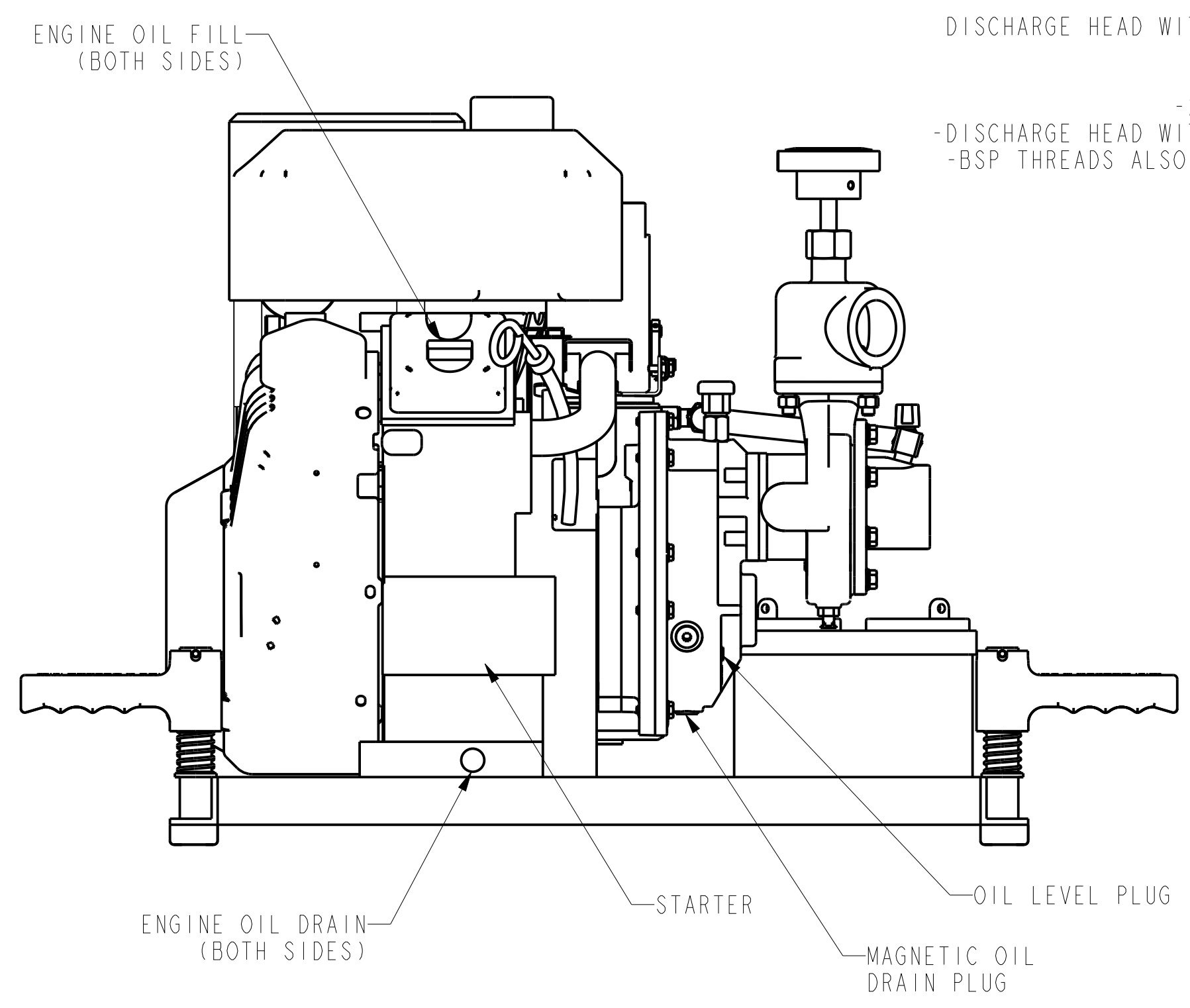


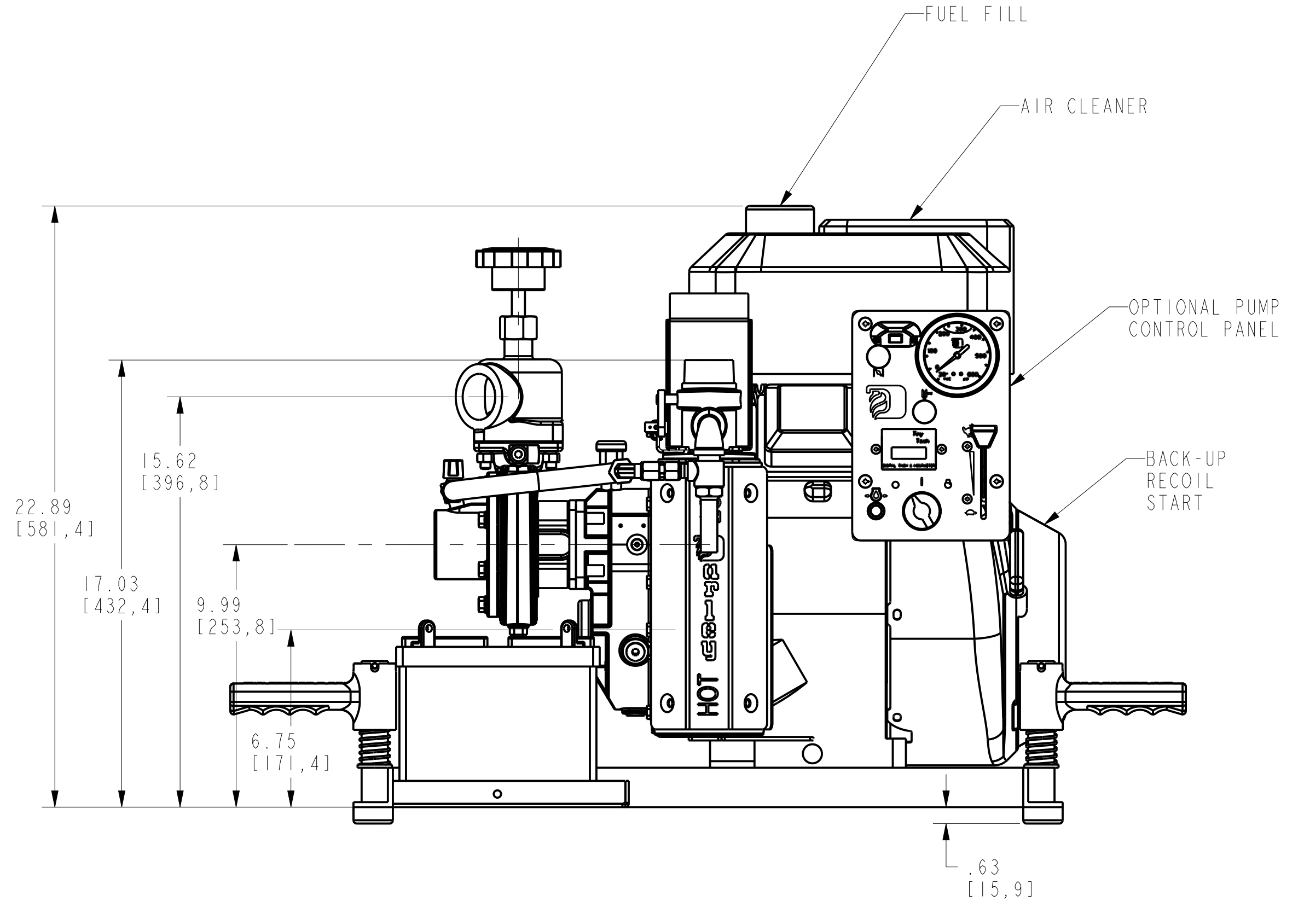
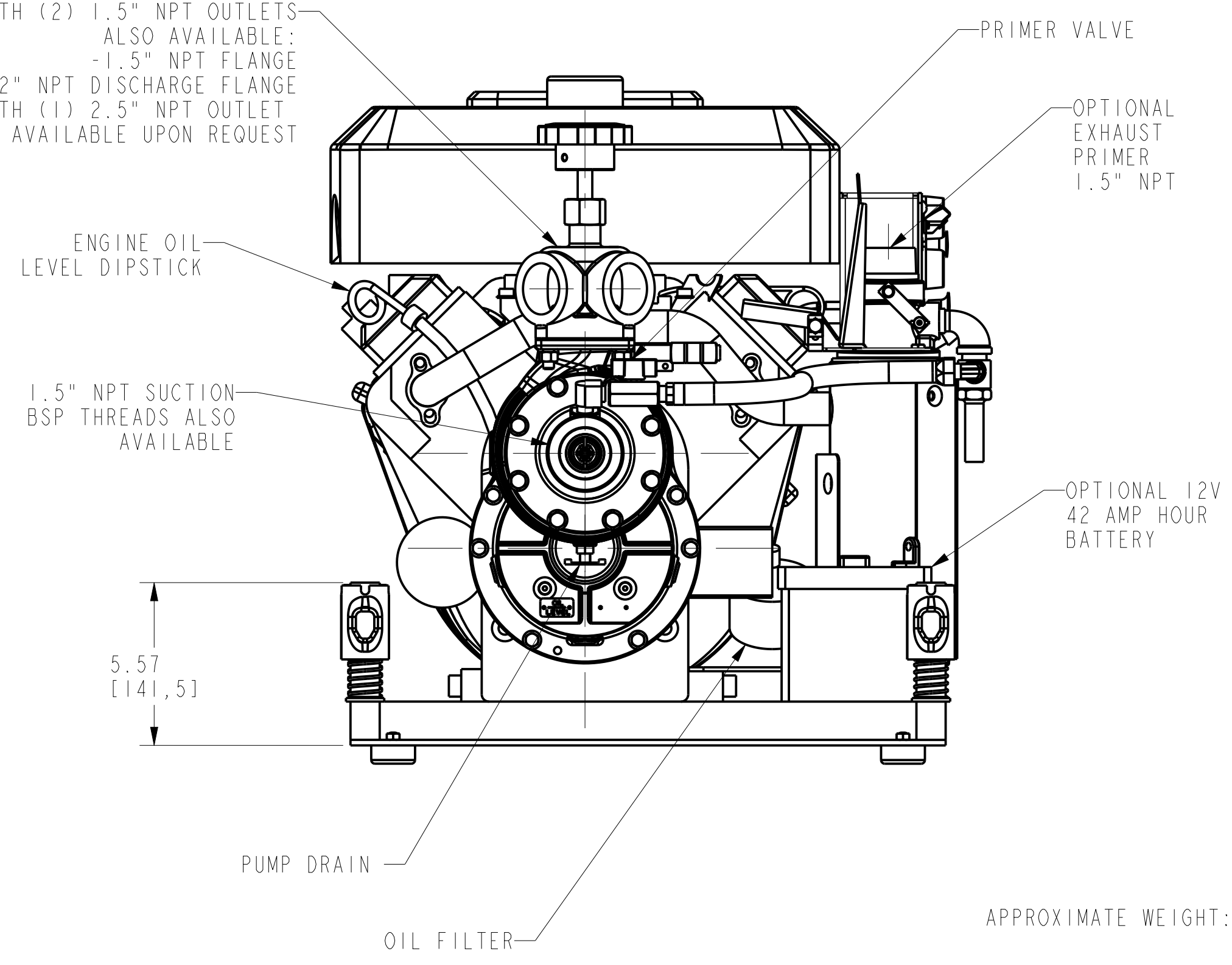
REVISIONS				
LTR	DESCRIPTION	DATE	CHG NO.	APPR'D



SCALE 1/8



DISCHARGE HEAD WITH (2) 1.5" NPT OUTLETS
 ALSO AVAILABLE:
 -1.5" NPT FLANGE
 -2" NPT DISCHARGE FLANGE
 -DISCHARGE HEAD WITH (1) 2.5" NPT OUTLET
 -BSP THREADS ALSO AVAILABLE UPON REQUEST



APPROXIMATE WEIGHT: 146 LBS (66 KG)

REMOVE SHARP EDGES		INCH (MILLIMETER)		TOLERANCE EXCEPT AS NOTED .00 ± .03 .000 ± .010 ANGLES ± 1°			
MATERIAL DESCRIPTION:		MATERIAL NO.		PATTERN NO.		DWG - 1.25AGE13/18V W/FUEL TANK, CONTROLS	
THIS DESIGN IS THE PROPERTY OF W.S. DARLEY AND CO. - UNAUTHORIZED REPRODUCTION IS PROHIBITED		ALL DIMENSIONS IN INCHES UNLESS NOTED		DO NOT SCALE PRINT		DATE 3-JUN-14 SCALE 1/4 DAD3005	

MODEL NAME	MOL CREATED	SHEET
DAD3005	2-JAN-2013	1/1